



# FORGED AUTOMOTIVE PRODUCTS

PISTONS - CONDRRODS - BOLTS - GASKETS



2013

2014





We are the innovative specialists for high performance pistons and conrods. Our products are to be found in engines operating at the highest levels of motor sport, in competition and, of course, in everyday use – in fact, anywhere where longevity and operational noise are important factors.

Wössner products are the source of the superior power behind the success of well known motor sport teams at national and international race meets.

## WÖSSNER PRODUCTS

### Cometic Gaskets

The involvement in motorsports racing led to the development of breakthrough technologies which are now applied to every Cometic gasket. Cometic supplies gaskets for a variety of hi-performance motorsports markets.



### ARP Rod Bolts

Connecting rod bolts are one of the main important fasteners in any engine. ARP is one of the world leader in racing fastener technology.

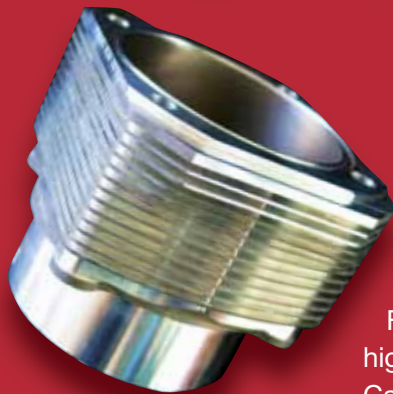


### Pistons

Forged high performance pistons for various applications in nearly all engine types for racing and street use (Material: 4032-T6, 2618-T6).

### Conrods

Forged high performance steel (40 CrNiMoA) conrods, H-beam with ARP-bolts, optimal balanced, suitable for all common models.



### Cylinders

Forged cylinders for Porsche, high quality Nickel Silicone Carbide Plating.

### Special pistons

For special application, size from 35 mm to 220 mm diameter.

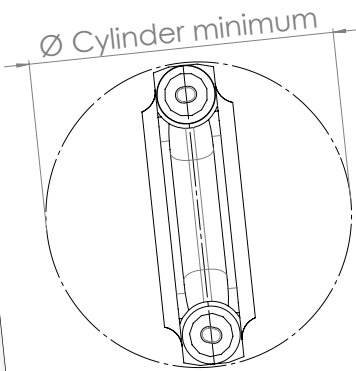


### Sleeves

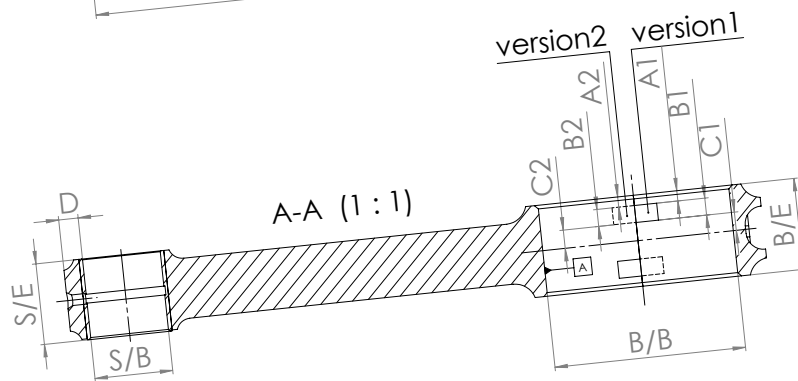
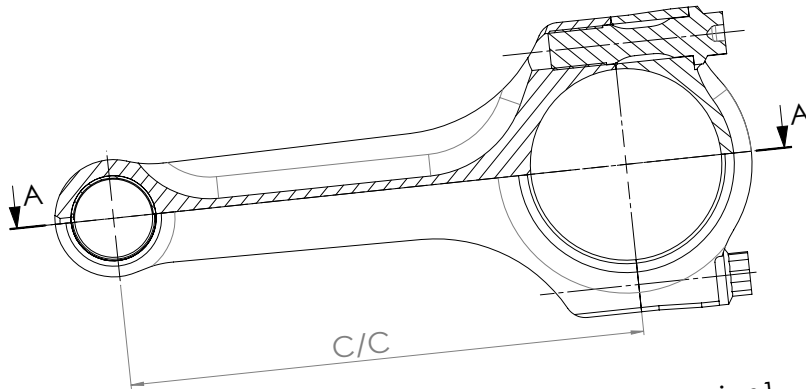
Various materials with high quality Nickel Silicone Carbide Plating.



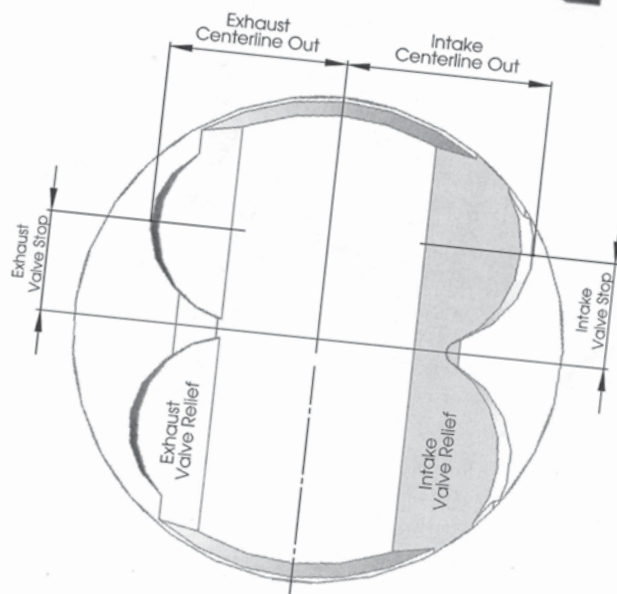
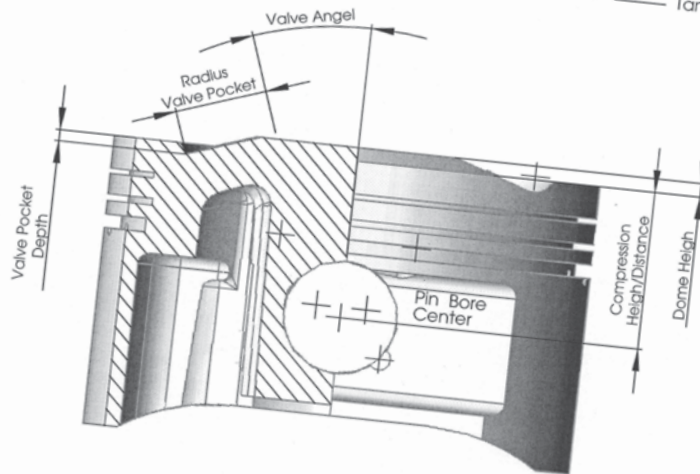
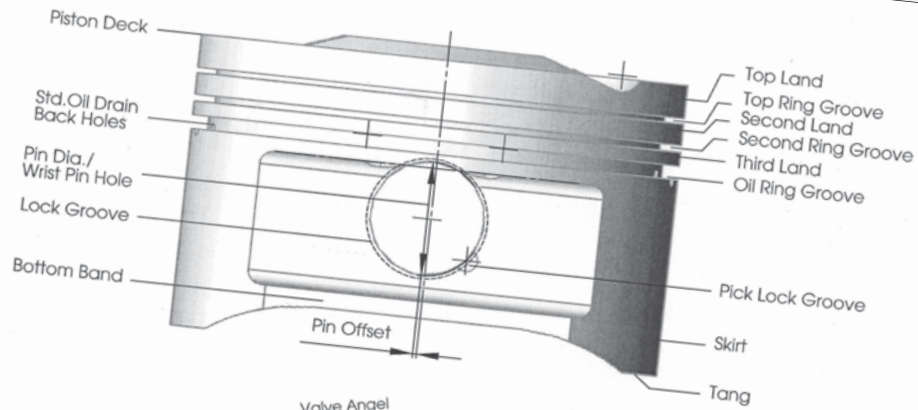
# CONROD TERMINOLOGY



small end bore	S/B	
small end thick	S/E	
big end bore	B/B	
big end thick	B/E	
centres	C/C	
thickness above pin	D	
$\varnothing$ Cylinder minimum	$\varnothing$ Cylinder minimum	
cut out typ	version1 or 2	
cut out for bearing	A1 / A2	
cut out withness	B1 / B2	
cut out for bearing	C1 / C2	



# PISTON TERMINOLOGY



# FORGED AUTOMOTIVE PRODUCTS

Alfa Romeo	7
Audi	8-10
BMW	11-13
Citroën	14-17
Ferrari	18-19
Fiat	20-21
Ford	22-25
Honda	26-30
Lancia	31
Mazda	32-33
MG	34
Mini Cooper	35
Mitsubishi	36-38
Nissan	39-43
Opel	44-46
Peugeot	47-54
Porsche	55-62
Renault	63-68
Rover	69
Saab	70
Seat	71-72
Subaru	73-76
Toyota	77-79
Volvo	80
VW	81-86
Rod Bolts	87
Conrods	88-91
Quality Assurance	92-93
FGM, Monale, Italy	94
Gaskets	95-130
Pinlist	131-132
Ringlist	133-135
Order Forms	136-137
Instructions	138
Terms and Conditions	139

## WARRANTY DISCLAIMER

Due to the nature of performance applications, the parts in this kit are sold without any express warranty or any implied warranty of merchantability or fitness for a particular purpose. Wössner GmbH shall not, under any circumstances, be liable for any special, incidental or consequential damages, including, but not limited to damage, or loss of profits or revenue, cost of purchased or replacement goods, or claims of customers of the purchaser, which may arise and/or result from sale, installation or use of these parts. Installation of these parts could adversely affect the vehicle manufacturer's warranty coverage. Pistons are useable for racing only.

Fehler und Änderungen, sowie Preisänderungen vorbehalten.

*Errors and changes, as well as changes in prices excepted.*

Wir danken für die Fotos von I-Tech-Motorsport, 9ff ([www.9ff.de](http://www.9ff.de)), Max Moto Sia  
*Photos with friendly permission of I-Tech-Motorsport, 9ff ([www.9ff.de](http://www.9ff.de)), Max Moto Sia*

## Alfa Romeo®



<b>Model</b>	145 / 146 / 155 / 156 / 166 / GTV / Spider 2.0Ltr. 16V	145 / 146 / 155 / 156 / 166 / GTV / Spider 2.0Ltr. 16V Turbo	147 / 156 2.0Ltr. 16V Twin Spark	164/ 75 3.0Ltr. V6 12V (185PS)
<b>Years</b>	-	-	-	-
<b>Engine typ</b>	AR 32301	AR 32301	AR 32310	AR 06412
<b>Displ. (cc)</b>	1970 cm <sup>3</sup>	1970 cm <sup>3</sup>	1970 cm <sup>3</sup>	2959 cm <sup>3</sup>

Piston Kit Part No.	Bore size (mm)	Ring Set Part No.	Piston Kit Part No.	Bore size (mm)	Ring Set Part No.	Piston Kit Part No.	Bore size (mm)	Ring Set Part No.	Piston Kit Part No.	Bore size (mm)	Ring Set Part No.
K9142DA	83.00	830XSY	K9143D050	83.50	835XTY	K9236DA	83.00	830XSY	K9144DA	93.00	930XSY
K9142D050	83.50	835XSY	K9143D100	84.00	840XTY	K9236D050	83.50	835XSY	K9144D050	93.50	935XSY
K9142D100	84.00	840XSY				K9236D100	84.00	840XSY	K9144D100	94.00	940XSY

<b>Stroke</b>	91 mm	91 mm	91 mm	72.6 mm
<b>Wössner Comp. ratio</b>	12.6:1	8.5:1	12.6:1	11.5:1
<b>OE Comp. ratio</b>	10.0:1	10.0:1	10.0:1	9.5:1
<b>Dome Volume (CC)</b>	+2.6 cm <sup>3</sup>	-20 cm <sup>3</sup>	+2.5 cm <sup>3</sup>	+34 cm <sup>3</sup>
<b>Comp. Height (mm)</b>	32 mm	32 mm	31.5 mm	33 mm
<b>Valves per Cylinder</b>	4	4	4	2
<b>Cylinder No.</b>	4	4	4	6
<b>Piston weight in grams</b>	310 gr.	302 gr.	305 gr.	413 gr.
<b>Clip Part No.</b>	CW20	CW20	CW20	CW22
<b>Pin Part No.</b>	WP052	WP061	WP052	WP017
<b>Rod length</b>	145	145	145	-
<b>Price-Code</b>	A	A	A	G
<b>Top End Gasket Kit</b>	-	-	-	-
<b>Wössner connect. rods</b>	-	-	-	-

**Audi®**



**Neu!**

Model	A3 TFSI 1,4Ltr.	A4 / A6 1.8Ltr. 20V Turbo (150PS)	A6 / S4 2.7Ltr. Bi-Turbo	RS4 2.7Ltr. V6 Bi-Turbo
Years	-	-	-	-
Engine typ	CAX / CAV / CVA	AEB / AGU	AGB / ASJ	AZR / ASJ / AZF
Displ. (cc)	1390 cm <sup>3</sup>	1781 cm <sup>3</sup>	2669 cm <sup>3</sup>	2669 cm <sup>3</sup>

Piston Kit Part No.	Bore size (mm)	Ring Set Part No.	Piston Kit Part No.	Bore size (mm)	Ring Set Part No.	Piston Kit Part No.	Bore size (mm)	Ring Set Part No.	Piston Kit Part No.	Bore size (mm)	Ring Set Part No.
K9481DA	76.50	765XTZ	K9075DA	81.00	810XTY	K9091DA	81.00	810XTY	K9215D050	81.50	815XTY
K9481D050	77.00	770XTZ	K9075D050	81.50	815XTY	K9091D050	81.50	815XTY	K9215D100	82.00	820XTY
			K9075D100	82.00	820XTY	K9091D100	82.00	820XTY			
			K9075D150	82.50	825XTY						

Stroke	-	86.4 mm	86.4 mm	86.4 mm
Wössner Comp. ratio	-	8.5:1	8.5:1	8.0:1
OE Comp. ratio	10:1	9.5:1	9.3:1	9.0:1
Dome Volume (CC)	+7.5 cm <sup>3</sup>	-9.7 cm <sup>3</sup>	-	-15 cm <sup>3</sup>
Comp. Height (mm)	29 mm	32.7 mm	30.7 mm	30.7 mm
Valves per Cylinder	4	5	4	5
Cylinder No.	4	4	6	6
Piston weight in grams	-	282 gr.	278 gr.	284 gr.
Clip Part No.	CW19	CW20	CW21	CW21
Pin Part No.	WP037	WP061	WP092	WP092
Rod length	-	144	154	154
Price-Code	A	A	G	G
Top End Gasket Kit	see gasket list 108 - 142	see gasket list 108 - 142	see gasket list 108 - 142	see gasket list 108 - 142
Wössner connect. rods	-	KPL018	-	-



**Audi®**

<b>Model</b>	Coupe S2	A3 / TT 1.8Ltr. 20V Turbo (180PS)	S3 / TT 1.8Ltr. 20V Turbo (225PS)	S3 / TT 1.8Ltr. 20V Turbo (225PS)
<b>Years</b>	-	-	-	-
<b>Engine typ</b>	3B / ABY	APP / ARY / AUQ	APX / APY / BAM	APX / APY / BAM
<b>Displ. (cc)</b>	2224 cm <sup>3</sup>	1781 cm <sup>3</sup>	1781 cm <sup>3</sup>	1781 cm <sup>3</sup>

Piston Kit Part No.	Bore size (mm)	Ring Set Part No.	Piston Kit Part No.	Bore size (mm)	Ring Set Part No.	Piston Kit Part No.	Bore size (mm)	Ring Set Part No.	Piston Kit Part No.	Bore size (mm)	Ring Set Part No.
K9201DA-5	81.00	810XTY	K9145DA	81.00	810XTY	K9075DA	81.00	810XTY	K9271DA	81.00	810XTY
K9201D050-5	81.50	815XTY	K9145D100	82.00	820XTY	K9075D050	81.50	815XTY	K9271D050	81.50	815XTY
K9201D100-5	82.00	820XTY	K9145D150	82.50	825XTY	K9075D100	82.00	820XTY	K9271D100	82.00	820XTY
K9201D150-5	82.50	825XTY				K9075D150	82.50	825XTY	K9271D150	82.50	825XTY
K9201D200-5	83.00	830XTY									

<b>Stroke</b>	86.4 mm	86.4 mm	86.4 mm	86.4 mm
<b>Wössner Comp. ratio</b>	8.0:1	9.5:1	8.5:1	9.5:1
<b>OE Comp. ratio</b>	9.3:1	9.5:1	8.9:1	8.9:1
<b>Dome Volume (CC)</b>	-12.3 cm <sup>3</sup>	-6.3 cm <sup>3</sup>	-9.7 cm <sup>3</sup>	-6 cm <sup>3</sup>
<b>Comp. Height (mm)</b>	33.4 mm	32.7 mm	32.7 mm	32.7 mm
<b>Valves per Cylinder</b>	4	5	5	5
<b>Cylinder No.</b>	5	4	4	4
<b>Piston weight in grams</b>	306 gr.	301 gr.	282 gr.	280 gr.
<b>Clip Part No.</b>	CW20	CW19	CW20	CW20
<b>Pin Part No.</b>	WP061	WP026	WP061	WP061
<b>Rod length</b>	144	144	144	144
<b>Price-Code</b>	C	A	A	A
<b>Top End Gasket Kit</b>	see gasket list 108 - 142	see gasket list 108 - 142	see gasket list 108 - 142	see gasket list 108 - 142
<b>Wössner connect. rods</b>	KPL018	-	KPL018	KPL018

**Audi®**



<b>Model</b>	A3 / S3 / A4 2.0Ltr. 16V T FSI Turbo	2.0Ltr. 20V None Turbo (Racing Version)
<b>Years</b>	-	-
<b>Engine typ</b>	AXX / BHZ / BGB / BWE / BUL / CDNB / CDNC / BYK / BPJ	AEB / AGN / ALT
<b>Displ. (cc)</b>	1998 cm <sup>3</sup>	1983 cm <sup>3</sup>

Piston Kit Part No.	Bore size (mm)	Ring Set Part No.	Piston Kit Part No.	Bore size (mm)	Ring Set Part No.
K9213DA	82.50	825XTY	K9270DA	82.50	825XSY
K9213D050	83.00	830XTY	K9270D020	82.70	827XSY
K9213D100	83.50	835XTY			

<b>Stroke</b>	92.8 mm	92.8 mm
<b>Wössner Comp. ratio</b>	9.2:1	12.3:1
<b>OE Comp. ratio</b>	10.5:1	8.9:1
<b>Dome Volume (CC)</b>	-6.7 cm <sup>3</sup>	+7.5 cm <sup>3</sup>
<b>Comp. Height (mm)</b>	29.5 mm	29.50 mm
<b>Valves per Cylinder</b>	4	5
<b>Cylinder No.</b>	4	4
<b>Piston weight in grams</b>	334 gr.	295 gr.
<b>Clip Part No.</b>	CW20	CW20
<b>Pin Part No.</b>	WP061	WP052
<b>Rod length</b>	144	144
<b>Price-Code</b>	A	A
<b>Top End Gasket Kit</b>	see gasket list 108 - 142	see gasket list 108 - 142
<b>Wössner connect. rods</b>	KPL018	KPL018

**BMW®**

<sup>1</sup> Rings need to be shortened / Ringe müssen gekürzt werden



Model	M3 2.3Ltr. 16V	M3 2.3Ltr. 16V OEM Comp. ratio	M3 2.5Ltr. 16V Sport EVO DTM	M3 2.5Ltr. 16V Sport EVO Berg
Years	-	-	-	-
Engine typ	S14 / B23	S14 / B23	S14 / B23	S14 / B23
Displ. (cc)	2312 cm <sup>3</sup>	2312 cm <sup>3</sup>	2467 cm <sup>3</sup>	2467 cm <sup>3</sup>

Piston Kit Part No.	Bore size (mm)	Ring Set Part No.	Piston Kit Part No.	Bore size (mm)	Ring Set Part No.	Piston Kit Part No.	Bore size (mm)	Ring Set Part No.	Piston Kit Part No.	Bore size (mm)	Ring Set Part No.
K9024D020	93.60	936XSY	K9277D020	93.60	936XSY	K9007D028	95.28	<sup>1</sup> 955XSY	K9008D028	95.28	<sup>1</sup> 955XSY
K9024D040	93.80	938XSY	K9277D040	93.80	938XSY	K9007D034	95.34	<sup>1</sup> 955XSY	K9008D034	95.34	<sup>1</sup> 955XSY
K9024D060	94.00	940XSY	K9277D060	94.00	940XSY	K9007D044	95.44	<sup>1</sup> 955XSY	K9008D044	95.44	<sup>1</sup> 955XSY
K9024D080	94.20	942XSY	K9277D080	94.20	942XSY	K9007D050	95.50	955XSY	K9008D050	95.50	955XSY
						K9007D080	95.80	<sup>1</sup> 960XSY	K9008D080	95.80	<sup>1</sup> 960XSY

Stroke	84 mm	84 mm	87 mm	87 mm
Wössner Comp. ratio	13.0:1	10.8:1	12.8:1	12.8:1
OE Comp. ratio	10.5:1	10.5:1	12.8:1	12.8:1
Dome Volume (CC)	+2.7 cm <sup>3</sup>	-6.9 cm <sup>3</sup>	+0.5 cm <sup>3</sup>	+0.8 cm <sup>3</sup>
Comp. Height (mm)	32 mm	32 mm	30.6 mm	25 mm
Valves per Cylinder	4	4	4	4
Cylinder No.	4	4	4	4
Piston weight in grams	360 gr.	357 gr.	345 gr.	314 gr.
Clip Part No.	CW22	CW22	CW22	CW22
Pin Part No.	WP017	WP017	WP098	WP009
Rod length	144	144	144	149.7
Price-Code	A	A	B	B
Top End Gasket Kit	see gasket list 108 - 142	see gasket list 108 - 142	see gasket list 108 - 142	see gasket list 108 - 142
Wössner connect. rods	KPL002	KPL002	KPL002	-

**BMW®**



<sup>1</sup> Rings need to be shortened / Ringe müssen gekürzt werden

Model	M3 3.0Ltr. 24V 2-Ring Version	M3 3.0Ltr. 24V 3-Ring Version	M3 3.0Ltr. 24V Turbo	2002TII
Years	1992-95	1992-95	-	-
Engine typ	S50 / B30 E36	S50 / B30 E36	S50 / B30 1992-95 E36	M10B20
Displ. (cc)	2990 cm <sup>3</sup>	2990 cm <sup>3</sup>	2990 cm <sup>3</sup>	1988.8 cm <sup>3</sup>

Piston Kit Part No.	Bore size (mm)	Ring Set Part No.	Piston Kit Part No.	Bore size (mm)	Ring Set Part No.	Piston Kit Part No.	Bore size (mm)	Ring Set Part No.	Piston Kit Part No.	Bore size (mm)	Ring Set Part No.
K9043DA	86.00	860XSY	K9400DA	86.00	860XSY	K9293DA	86.00	860XTY	K9399DA	89.00	890XSY
K9043D050	86.50	865XSY	K9400D050	86.50	865XSY				K9399D020	89.20	<sup>1</sup> 892XSY
K9043D075	86.75	867XSY	K9400D075	86.75	867XSY				K9399D050	89.50	895XSY
K9043D100	87.00	870XSY	K9400D100	87.00	870XSY				K9399D075	89.75	897XSY
									K9399D100	90.00	900XSY

Stroke	86 mm	86 mm	86 mm	80 mm
Wössner Comp. ratio	12.6:1	12.6:1	8.5:1	11.8:1
OE Comp. ratio	10.5:1	10.5:1	10.5:1	9.5:1
Dome Volume (CC)	+5 cm <sup>3</sup>	+5 cm <sup>3</sup>	-25.3 cm <sup>3</sup>	+28.8 cm <sup>3</sup>
Comp. Height (mm)	31.5 mm	31.5 mm	31.5 mm	43.5 mm
Valves per Cylinder	4	4	4	2
Cylinder No.	6	6	6	4
Piston weight in grams	306 gr.	306 gr.	336 gr.	368 gr.
Clip Part No.	CW21	CW21	CW21	CW22
Pin Part No.	WP051	WP051	WP092	WP017
Rod length	142	142	142	135
Price-Code	G	G	G	A
Top End Gasket Kit	see gasket list 108 - 142	see gasket list 108 - 142	see gasket list 108 - 142	see gasket list 108 - 142
Wössner connect. rods	KPL042	KPL042	KPL042	-

# BMW®



Model	M3 3.2Ltr. 24V 3-Ring Version	M3 3.2Ltr. 24V Turbo	M3 3.25Ltr. 24V	M3 3.25Ltr. 24V Turbo
Years	-	-	-	-
Engine typ	S50 / B32 up 1995 E36	S50 / B32 up 1995 E36	S54 E46	S54 E46
Displ. (cc)	3209 cm <sup>3</sup>	3209 cm <sup>3</sup>	3246 cm <sup>3</sup>	3246 cm <sup>3</sup>

Piston Kit Part No.	Bore size (mm)	Ring Set Part No.	Piston Kit Part No.	Bore size (mm)	Ring Set Part No.	Piston Kit Part No.	Bore size (mm)	Ring Set Part No.	Piston Kit Part No.	Bore size (mm)	Ring Set Part No.
K9038DA	86.50	865XSY	K9294D010	86.50	865XTY	K9202DA	87.00	870XSY	K9295DA	87.00	870XTY
K9038D025	86.75	867XSY	K9294D060	87.00	870XTY	K9202D050	87.50	875XSY			
K9038D050	87.00	870XSY									

Stroke	91 mm	91 mm	91 mm	91 mm
Wössner Comp. ratio	12.3:1	8.7:1	12.3:1	8.8:1
OE Comp. ratio	11.3:1	11.3:1	11.3:1	11.3:1
Dome Volume (CC)	-5.4 cm <sup>3</sup>	-27 cm <sup>3</sup>	-5.4 cm <sup>3</sup>	-27 cm <sup>3</sup>
Comp. Height (mm)	32.3 mm	32.3 mm	32.3 mm	32.3 mm
Valves per Cylinder	4	4	4	4
Cylinder No.	6	6	6	6
Piston weight in grams	316 gr.	333 gr.	316 gr.	320 gr.
Clip Part No.	CW21	CW21	CW21	CW21
Pin Part No.	WP034	WP092	WP034	WP092
Rod length	139	139	139	139
Price-Code	G	G	G	G
Top End Gasket Kit	see gasket list 108 - 142	see gasket list 108 - 142	see gasket list 108 - 142	see gasket list 108 - 142
Wössner connect. rods	KPL041	KPL041	KPL041	KPL041

# Citroën®



<sup>2</sup> Combustion chamber need to be adapted at piston dome design  
Brennraum muss der Domform des Kolbens angepasst werden

Model	<sup>2</sup> AX Sport 1.3Ltr.	<sup>2</sup> AX GTI 1.4Ltr.	<sup>2</sup> AX GTI 1.4Ltr.
Years	-	-	-
Engine typ	TU2/4	TU3J2	TU3J2
Displ. (cc)	1294 cm <sup>3</sup>	1360 cm <sup>3</sup>	1361 cm <sup>3</sup>

Piston Kit Part No.	Bore size (mm)	Ring Set Part No.	Piston Kit Part No.	Bore size (mm)	Ring Set Part No.	Piston Kit Part No.	Bore size (mm)	Ring Set Part No.
K9114DA	75.00	750XDS	K9108DA	75.00	750XDS	K9109DA	75.00	750XDS
K9114D050	75.50	755XDS	K9108D050	75.50	755XDS	K9109D050	75.50	755XDS
K9114D100	76.00	760XDS	K9108D100	76.00	760XDS	K9109D100	76.00	760XDS

Stroke	73.2 mm	77 mm	77 mm
Wössner Comp. ratio	11.5:1	11.4:1	11.7:1
OE Comp. ratio	9.6:1	9.6:1	9.6:1
Dome Volume (CC)	+7.16 cm <sup>3</sup>	+5.6 cm <sup>3</sup>	+9.6 cm <sup>3</sup>
Comp. Height (mm)	38.8 mm	41.5 mm	35 mm
Valves per Cylinder	2	2	2
Cylinder No.	4	4	4
Piston weight in grams	252 gr.	278 gr.	248 gr.
Clip Part No.	CW18	CW18	CW20 (19.46)
Pin Part No.	WP031	WP031	WP096
Rod length	112.3	126.8	133.6
Price-Code	A	A	A
Top End Gasket Kit	-	-	-
Wössner connect. rods	-	-	KPL020

# Citroën®



Model	Saxo VTS 1.6Ltr. 16V Turbo	Saxo VTS 1.6Ltr. 16V Gr.A	Saxo Kit Car 1.6Ltr. 16V	Saxo VTS 1.6Ltr. 16V Gr.A Stroker Kit
Years	-	-	-	-
Engine typ	TU5J4	TU5J4	TU5J4	TU5J4
Displ. (cc)	1587 cm <sup>3</sup>	1587 cm <sup>3</sup>	1596 cm <sup>3</sup>	17745 cm <sup>3</sup>

Piston Kit Part No.	Bore size (mm)	Ring Set Part No.	Piston Kit Part No.	Bore size (mm)	Ring Set Part No.	Piston Kit Part No.	Bore size (mm)	Ring Set Part No.	Piston Kit Part No.	Bore size (mm)	Ring Set Part No.
K9089DA	78.50	785XTZ	K9039DA	78.50	785XDS	K9150D020	78.70	787XDS	K9407D100	79.50	795XDS
K9089D020	78.70	787XTZ	K9039D020	78.70	787XDS	K9150D050	79.00	790XDS	K9407D150	80.00	800XDS
K9089D050	79.00	790XTZ	K9039D050	79.00	790XDS						
K9089D100	79.50	795XTZ	K9039D100	79.50	795XDS						
			K9039D150	80.00	800XDS						

Stroke	82 mm	82 mm	82 mm	89 mm
Wössner Comp. ratio	9.0:1	12.0:1	12.7:1	-
OE Comp. ratio	10.7:1	10.7:1	12.7:1	10.7:1
Dome Volume (CC)	-	+7.1 cm <sup>3</sup>	+6.7 cm <sup>3</sup>	-
Comp. Height (mm)	32.5 mm	32.5 mm	28.3 mm	29 mm
Valves per Cylinder	4	4	4	4
Cylinder No.	4	4	4	4
Piston weight in grams	284 gr.	260 gr.	254 gr.	257 gr.
Clip Part No.	CW20 (19.46)	CW20 (19.46)	CW18	CW20 (19.46)
Pin Part No.	WP035	WP096	WP031	WP096
Rod length	133.6	133.6	137.75	133.6
Price-Code	A	A	A	A
Top End Gasket Kit	see gasket list 108 - 142	see gasket list 108 - 142	see gasket list 108 - 142	see gasket list 108 - 142
Wössner connect. rods	KPL020	KPL020	KPL030	KPL020

# Citroën®



<sup>1</sup> Rings need to be shortened / Ringe müssen gekürzt werden

Model	C2 VTS 1.6Ltr. 16V Gr.A	C2 VTS 1.6Ltr. 16V Kit Car	ZX 2.0Ltr. 16V (155PS)	ZX / Xsara 2.0Ltr. 16V (167PS)
Years	-	-	-	-
Engine typ	TU5JP4	TU5JP4	XU10J4	XU10J4RS
Displ. (cc)	1587 cm <sup>3</sup>	1594 cm <sup>3</sup>	1998 cm <sup>3</sup>	1998 cm <sup>3</sup>

Piston Kit Part No.	Bore size (mm)	Ring Set Part No.	Piston Kit Part No.	Bore size (mm)	Ring Set Part No.	Piston Kit Part No.	Bore size (mm)	Ring Set Part No.	Piston Kit Part No.	Bore size (mm)	Ring Set Part No.
K9177DA	78.50	785XDS	K9233D020	78.70	787XDS	K9041DA	86.00	860XSY	K9181DA	86.00	860XSY
K9177D020	78.70	787XDS				K9041D050*	86.50	865XSY	K9181D050	86.50	865XSY
K9177D050	79.00	790XDS				K9041D100	87.00	870XSY	K9181D100	87.00	870XSY
K9177D150	80.00	800XDS									

Stroke	82 mm	82 mm	86 mm	86 mm
Wössner Comp. ratio	12.2:1	12.7:1	12.2:1	12.2:1
OE Comp. ratio	10.8:1	10.8:1	10.4:1	10.8:1
Dome Volume (CC)	+8.72 cm <sup>3</sup>	+7.6 cm <sup>3</sup>	+5.9 cm <sup>3</sup>	+2.8 cm <sup>3</sup>
Comp. Height (mm)	32.1 mm	28 mm	37 mm	34 mm
Valves per Cylinder	4	4	4	4
Cylinder No.	4	4	4	4
Piston weight in grams	260 gr.	243 gr.	362 gr.	317 gr.
Clip Part No.	CW18	CW18	CW22	CW20
Pin Part No.	WP031	WP031	WP009	WP038
Rod length	133.6	137.75	152	158
Price-Code	A	A	A *D050 = A2	A
Top End Gasket Kit	-	-	see gasket list 108 - 142	see gasket list 108 - 142
Wössner connect. rods	KPL019	KPL030	KPL028	KPL029



## Citroën®



Model	ZX / Xsara 2.0Ltr. 16V Turbo (167PS)	C4 VTR 2.0Ltr. 16V (177PS)	Xantia / XM / Evasion 2.0Ltr. 8V Turbo	DS3
Years	-	-	-	-
Engine typ	XU10J4RS	EW10J4RS	XU10J2CTE	EP6
Displ. (cc)	1998 cm <sup>3</sup>	1997 cm <sup>3</sup>	1997 cm <sup>3</sup>	1597 cm <sup>3</sup>

Piston Kit Part No.	Bore size (mm)	Ring Set Part No.	Piston Kit Part No.	Bore size (mm)	Ring Set Part No.	Piston Kit Part No.	Bore size (mm)	Ring Set Part No.	Piston Kit Part No.	Bore size (mm)	Ring Set Part No.
K9203DA	86.00	860XTY	K9190DA	85.00	850XSY	K9199DA	86.00	860XTY	K9469DA	77.00	770XDS
K9203D050	86.50	865XTY	K9190D050	85.50	855XSY	K9199D050	86.50	865XTY	K9469D050	77.50	775XDS
K9203D100	87.00	870XTY				K9199D100	87.00	870XTY			

Stroke	86 mm	88 mm	86 mm	85.8 mm
Wössner Comp. ratio	8.0:1	12.5:1	8.5:1	10.5:1
OE Comp. ratio	10.8:1	11.0:1	8.5:1	10.5:1
Dome Volume (CC)	-	+6.5 cm <sup>3</sup>	-	-0.55 cm <sup>3</sup>
Comp. Height (mm)	34 mm	29.5 mm	40 mm	28.5 mm
Valves per Cylinder	4	4	2	4
Cylinder No.	4	4	4	4
Piston weight in grams	345 gr.	336 gr.	387 gr.	273 gr.
Clip Part No.	CW22	CW21	CW22	CW20
Pin Part No.	WP046	WP034	WP017	WP068
Rod length	158	139	152	-
Price-Code	A	A	A	I
Top End Gasket Kit	see gasket list 108 - 142	-	-	-
Wössner connect. rods	-	KPL033	KPL028	-

## Ferrari®



Model	246GT / GTS / Dino	250GT / 250GTE / 250GT6	275GTB-4
Years	1969-74	1954-56	1964-66
Engine typ	-	-	-
Displ. (cc)	2418 cm <sup>3</sup>	2963 cm <sup>3</sup>	3295 cm <sup>3</sup>

Piston Kit Part No.	Bore size (mm)	Ring Set Part No.	Piston Kit Part No.	Bore size (mm)	Ring Set Part No.	Piston Kit Part No.	Bore size (mm)	Ring Set Part No.
K9101D050	93.00	930XSY	*K9001DA	73.00	730XDS	K9003DA	77.00	770XDS
K9101D100	93.50	935XSY	K9001D050	73.50	735XDS	K9003D050	77.50	775XDS
			K9001D100	74.00	740XDS	K9003D100	78.00	780XDS

Stroke	60 mm	59 mm	58.8 mm
Wössner Comp. ratio	10.0:1	10.0:1	10.5:1
OE Comp. ratio	9.0:1	9.0:1	9.2:1
Dome Volume (CC)	-	-	-
Comp. Height (mm)	30 mm	26.9 mm	28 mm
Valves per Cylinder	2	2	2
Cylinder No.	6	12	12
Piston weight in grams	302 gr.	230 gr.	260 gr.
Clip Part No.	CW20	CW17	CW17
Pin Part No.	WP052	WP090	WP090
Rod length	117.92	112	112
Price-Code	G	H *DA = H2	H
Top End Gasket Kit	-	-	-
Wössner connect. rods	-	KPL039	KPL039

# Ferrari®



<b>Model</b>	365GTB-4 / 365BB / Daytona	330GTC / 330GTS / 330GT	308 GT4 / 308GTB / 208 GT4 / 208GTB
<b>Years</b>	1966-84	1963-68	1973-85
<b>Engine typ</b>	-	-	F106 A
<b>Displ. (cc)</b>	4442 cm <sup>3</sup>	3967 cm <sup>3</sup>	2961 cm <sup>3</sup>

Piston Kit Part No.	Bore size (mm)	Ring Set Part No.	Piston Kit Part No.	Bore size (mm)	Ring Set Part No.	Piston Kit Part No.	Bore size (mm)	Ring Set Part No.
K9004D050-12	81.50	815XSY	K9002DA*	77.00	770XDS	K9004D050	81.50	815XSY
K9004D100-12	82.00	820XSY	K9002D050	77.50	775XDS	K9004D100*	82.00	820XSY

<b>Stroke</b>	71 mm	71 mm	71 mm
<b>Wössner Comp. ratio</b>	10.5:1	8.8:1	10.5:1
<b>OE Comp. ratio</b>	9.3:1	8.8:1	8.8:1
<b>Dome Volume (CC)</b>	-	-	-
<b>Comp. Height (mm)</b>	30.8 mm	29.5 mm	30.8 mm
<b>Valves per Cylinder</b>	2	2	2
<b>Cylinder No.</b>	12	12	8
<b>Piston weight in grams</b>	306 gr.	285 gr.	306 gr.
<b>Clip Part No.</b>	CW19	CW19	CW19
<b>Pin Part No.</b>	WP084	WP084	WP084
<b>Rod length</b>	137	137	137
<b>Price-Code</b>	H2	H *DA = H2	J *D100 = J2
<b>Top End Gasket Kit</b>	-	-	see gasket list 108 - 142
<b>Wössner connect. rods</b>	-	-	-

Fiat®

<sup>1</sup> Rings need to be shortened / Ringe müssen gekürzt werden

Model	Punto / Uno Turbo "old " 90-92	Punto / Uno Turbo	Ritmo / Punto / Brava / Scudo / Tempra / Tipo	Punto 1.6 8V Turbo Stroker Kit
Years	1990-92	1993-99	1990-2000	1990-2000
Engine typ	146 A	176 A 4000	159 A 3000	159 A
Displ. (cc)	1372 cm <sup>3</sup>	1372 cm <sup>3</sup>	1580 cm <sup>3</sup>	1877 cm <sup>3</sup>

Piston Kit Part No.	Bore size (mm)	Ring Set Part No.	Piston Kit Part No.	Bore size (mm)	Ring Set Part No.	Piston Kit Part No.	Bore size (mm)	Ring Set Part No.	Piston Kit Part No.	Bore size (mm)	Ring Set Part No.
K9047D050	81.00	810XTY	K9048DA	80.50	805XTZ	K9049DA	86.40	<sup>1</sup> 865XTY	K9408D060	87.00	870XSY
K9047D100	81.50	815XTY	K9048D050	81.00	810XTY	K9049D060	87.00	870XTY			
			K9048D100	81.50	815XTY	K9049D110	87.50	875XTY			

Stroke	67.4 mm	67.4 mm	67.4 mm	79 mm
Wössner Comp. ratio	7.8:1	7.8:1	9.2:1	8.5:1
OE Comp. ratio	7.8:1	7.8:1	9.2:1	9.2:1
Dome Volume (CC)	-6.5 cm <sup>3</sup>	-3.9 cm <sup>3</sup>	-4.77 cm <sup>3</sup>	-19 cm <sup>3</sup>
Comp. Height (mm)	33.3 mm	34.10 mm	33.3 mm	27.5 mm
Valves per Cylinder	2	2	2	2
Cylinder No.	4	4	4	4
Piston weight in grams	294 gr.	302 gr.	332 gr.	275 gr.
Clip Part No.	CW22	CW22	CW22	CW22
Pin Part No.	WP017	WP017	WP017	WP017
Rod length	128.52	128.52	128.52	128.52
Price-Code	A	A	A	A
Top End Gasket Kit	-	-	-	-
Wössner connect. rods	KPL023	KPL023	KPL023	KPL023

Fiat®



<b>Model</b>	Coupe 2.0Ltr. 20V Turbo (220PS)	500/Abarth
<b>Years</b>	-	-
<b>Engine typ</b>	175 A	-
<b>Displ. (cc)</b>	1998 cm <sup>3</sup>	1368 cm <sup>3</sup>

Piston Kit Part No.	Bore size (mm)	Ring Set Part No.	Piston Kit Part No.	Bore size (mm)	Ring Set Part No.
K9212DA	82.00	820XTY	K9470DA	72.00	720XDS
K9212D050	82.50	825XTY	K9470D050	72.50	725XDS
K9212D100	83.00	830XTY	K9470D100	73.00	730XDS

<b>Stroke</b>	75.65 mm	84 mm
<b>Wössner Comp. ratio</b>	8.0:1	9.8:1
<b>OE Comp. ratio</b>	8.5:1	9.8:1
<b>Dome Volume (CC)</b>	-8.8 cm <sup>3</sup>	-20.9 cm <sup>3</sup>
<b>Comp. Height (mm)</b>	32.8 mm	26.8 mm
<b>Valves per Cylinder</b>	4	4
<b>Cylinder No.</b>	5	4
<b>Piston weight in grams</b>	312 gr.	189 gr.
<b>Clip Part No.</b>	CW22	CW18
<b>Pin Part No.</b>	WP017	WP064
<b>Rod length</b>	-	-
<b>Price-Code</b>	C	A
<b>Top End Gasket Kit</b>	-	-
<b>Wössner connect. rods</b>	-	-

# Ford®



Model	Sierra / Cosworth	Sierra 4x4 / Escort / Cosworth	Cosworth 2.0Ltr. 16V Non Turbo	Cosworth 2.0Ltr. 16V Non Turbo Long Rod
Years	-	-	-	-
Engine typ	N5B	N5B	N5B	N5B
Displ. (cc)	1995 cm <sup>3</sup>	1995 cm <sup>3</sup>	1995 cm <sup>3</sup>	1995 cm <sup>3</sup>

Piston Kit Part No.	Bore size (mm)	Ring Set Part No.	Piston Kit Part No.	Bore size (mm)	Ring Set Part No.	Piston Kit Part No.	Bore size (mm)	Ring Set Part No.	Piston Kit Part No.	Bore size (mm)	Ring Set Part No.
K9027D020	91.00	910XTY	K9009D020	91.00	910XTY	K9217D020	91.00	910XSY	K9393D070	91.50	915XSY
K9027D045	91.25	912XTY	K9009D045	91.25	912XTY	K9217D045	91.25	912XSY	K9393D170	92.50	925XSY
K9027D070	91.50	915XTY	K9009D070	91.50	915XTY	K9217D070	91.50	915XSY	K9393D220	93.00	930XSY
K9027D095	91.75	917XTY	K9009D095	91.75	917XTY	K9217D120	92.00	920XSY			
K9027D120	92.00	920XTY	K9009D120	92.00	920XTY	K9217D220	93.00	930XSY			
K9027D170	92.50	925XTY	K9009D170	92.50	925XTY						
			K9009D220	93.00	930XTY						

Stroke	77 mm	77 mm	77 mm	77 mm
Wössner Comp. ratio	8.0:1	8.0:1	12.5:1	12.5:1
OE Comp. ratio	8.0:1	8.0:1	8.0:1	8.0:1
Dome Volume (CC)	-17.5 cm <sup>3</sup>	-20.1 cm <sup>3</sup>	+11.6 cm <sup>3</sup>	+11.6 cm <sup>3</sup>
Comp. Height (mm)	40.75 mm	40.75 mm	40.5 mm	33 mm
Valves per Cylinder	4	4	4	4
Cylinder No.	4	4	4	4
Piston weight in grams	424 gr.	434 gr.	399 gr.	372 gr.
Clip Part No.	CW24	CW24	CW24	CW24
Pin Part No.	WP022	WP022	WP057	WP057
Rod length	128.5	128.5	128.5	136
Price-Code	A	A	A	A
Top End Gasket Kit	see gasket list 108 - 142	see gasket list 108 - 142	see gasket list 108 - 142	see gasket list 108 - 142
Wössner connect. rods	KPL027	KPL027	KPL027	-

Ford®



<sup>1</sup> Rings need to be shortened / Ringe müssen gekürzt werden

Model	Pinto 2.0Ltr. 8V OHC (Non Turbo)	Pinto 2.0Ltr. 8V OHC Long Rod	Crossflow	Zetec 1.8Ltr. 16V Turbo
Years	-	-	-	up to 1998
Engine typ	YB	YB	-	-
Displ. (cc)	1995 cm <sup>3</sup>	1995 cm <sup>3</sup>	1659 cm <sup>3</sup>	1812 cm <sup>3</sup>

Piston Kit Part No.	Bore size (mm)	Ring Set Part No.	Piston Kit Part No.	Bore size (mm)	Ring Set Part No.	Piston Kit Part No.	Bore size (mm)	Ring Set Part No.	Piston Kit Part No.	Bore size (mm)	Ring Set Part No.
K9232D010	90.90	<sup>1</sup> 910XSY	K9392D010	90.90	<sup>1</sup> 910XSY	K9390D150	82.50	825XSY	K9286D040	81.00	810XTY
K9232D020	91.00	910XSY	K9392D020	91.00	910XSY	K9390D250	83.50	835XSY	K9286D090	81.50	815XTY
K9232D045	91.25	912XSY	K9392D045	91.25	912XSY						
K9232D070	91.50	915XSY	K9392D070	91.50	915XSY						
K9232D120	92.00	920XSY	K9392D120	92.00	920XSY						
K9232D170	92.50	925XSY	K9392D170	92.50	925XSY						
K9232D220	93.00	930XSY	K9392D220	93.00	930XSY						

Stroke	77 mm	77 mm	77.6 mm	88 mm
Wössner Comp. ratio	12.0:1	12.0:1	12.0:1	8.0:1
OE Comp. ratio	9.2:1	9.2:1	-	10.0:1
Dome Volume (CC)	-	-	-	-10.8 cm <sup>3</sup>
Comp. Height (mm)	41.65 mm	34.15 mm	44.6 mm	32 mm
Valves per Cylinder	2	2	2	4
Cylinder No.	4	4	4	4
Piston weight in grams	414 gr.	373 gr.	327 gr.	349 gr.
Clip Part No.	CW24	CW24	CW21 (20.63)	CW21 (20.63)
Pin Part No.	WP057	WP057	WP095	WP095
Rod length	128.5	136	125.12	136.25
Price-Code	A	A	A	A
Top End Gasket Kit	see gasket list 108 - 142	see gasket list 108 - 142	see gasket list 108 - 142	see gasket list 108 - 142
Wössner connect. rods	KPL027	-	-	-

Ford®

<sup>1</sup> Rings need to be shortened / Ringe müssen gekürzt werden

Model	Escort / Orion / Fiesta MK3 / Mondeo / Cougar / Focus RS / Zetec-E / ZVH / CVH 2.0 16V Turbo	Escort / Orion / Fiesta MK3 / Mondeo / Cougar / Focus 2.0 16V Zetec-E	Escort / Orion / Fiesta MK3 / Mondeo / Cougar / Focus / Zetec-E 2.0 16V	Focus / Mondeo / Duratec HE 2.0Ltr. 16V
Years	up to 1998	up to 1998	from 1998	-
Engine typ	NGA	NGA	NGA	CJBA
Displ. (cc)	1998 cm <sup>3</sup>	1998 cm <sup>3</sup>	1998 cm <sup>3</sup>	1999 cm <sup>3</sup>

Piston Kit Part No.	Bore size (mm)	Ring Set Part No.	Piston Kit Part No.	Bore size (mm)	Ring Set Part No.	Piston Kit Part No.	Bore size (mm)	Ring Set Part No.	Piston Kit Part No.	Bore size (mm)	Ring Set Part No.
K9198DA	84.80	<sup>1</sup> 850XTY	K9066DA	84.80	848XSY	K9394DA	84.80	848XSY	K9220DA	87.50	875XSY
K9198D070	85.50	855XTY	K9066D070	85.50	855XSY	K9394D070	85.50	855XSY	K9220D050	88.00	880XSY
K9198D120	86.00	860XTY	K9066D120	86.00	860XSY	K9394D120	86.00	860XSY	K9220D100	88.50	885XSY

Stroke	88 mm	88 mm	88 mm	83.1 mm
Wössner Comp. ratio	8.0:1	12.0:1	12.0:1	12.5:1
OE Comp. ratio	10.0:1	10.0:1	10.0:1	10.8:1
Dome Volume (CC)	-15.3 cm <sup>3</sup>	+10.6 cm <sup>3</sup>	+10.6 cm <sup>3</sup>	+5.28 cm <sup>3</sup>
Comp. Height (mm)	32 mm	33 mm	28 mm	28.65 mm
Valves per Cylinder	4	4	4	4
Cylinder No.	4	4	4	4
Piston weight in grams	340 gr.	341 gr.	314 gr.	345 gr.
Clip Part No.	CW21 (20.63)	CW21 (20.63)	CW21 (20.63)	CW21
Pin Part No.	WP095	WP095	WP095	WP034
Rod length	136.18	136.18	140.8	146.25
Price-Code	A	A	A	A
Top End Gasket Kit	see gasket list 108 - 142	see gasket list 108 - 142	see gasket list 108 - 142	see gasket list 108 - 142
Wössner connect. rods	-	-	-	KPL040



# Ford®



Model	Focus / Mondeo / Duratec HE 2.0Ltr. 16V Turbo	Focus / Mondeo / Duratec 2.3Ltr. 16V	Escort / Fiesta RS Turbo	Focus ST 2.5Ltr. 20V Turbo
Years	-	-	-	-
Engine typ	CJBA	CJBA	CVH	HYDA / HUWA
Displ. (cc)	1999 cm <sup>3</sup>	2259 cm <sup>3</sup>	1597 cm <sup>3</sup>	2522 cm <sup>3</sup>

Piston Kit Part No.	Bore size (mm)	Ring Set Part No.	Piston Kit Part No.	Bore size (mm)	Ring Set Part No.	Piston Kit Part No.	Bore size (mm)	Ring Set Part No.	Piston Kit Part No.	Bore size (mm)	Ring Set Part No.
K9272DA	87.50	875XTY	K9282D010	87.50	875XSY	K9216DA	80.00	800XTZ	K9276DA	83.00	830XTY
			K9282D060	88.00	880XSY	K9216D050	80.50	805XTZ	K9276D050	83.50	835XTY
			K9282D110	88.50	885XSY	K9216D100	81.00	810XTY	K9276D100	84.00	840XTY
			K9282D160	89.00	890XSY						

Stroke	83.1 mm	94 mm	79.52 mm	93.2 mm
Wössner Comp. ratio	8.5:1	14.1:1	7.5:1	8.5:1
OE Comp. ratio	10.8:1	10.4:1	8.3:1	9.0:1
Dome Volume (CC)	-17.8 cm <sup>3</sup>	+5.00 cm <sup>3</sup>	-0.2 cm <sup>3</sup>	-
Comp. Height (mm)	28 mm	28.65 mm	38.8 mm	28.40 mm
Valves per Cylinder	4	4	2	4
Cylinder No.	4	4	4	5
Piston weight in grams	309 gr.	335 gr.	338 gr.	290 gr.
Clip Part No.	CW21	CW21	CW21 (20.63)	CW21
Pin Part No.	WP092	WP034	WP095	WP092
Rod length	146.25	154.78	132	145
Price-Code	A	A	A	C
Top End Gasket Kit	-	-	-	-
Wössner connect. rods	KPL040	-	-	-

## Honda®



<sup>3</sup> Engines and pistons are identical. Different combustion chambers produce divergent compression ratios.

Motoren und Kolben sind identisch. Durch unterschiedliche Brennräume entstehen abweichende Verdichtungsverhältnisse

Model	Civic SI / Del Sol	Civic SI / Civic Del Sol Turbo	<sup>3</sup> Civic 1.6Ltr V-Tec (158PS)	Civic 1.6Ltr. V-Tec Turbo (158PS)
Years	1999-2000 / 1993-97	1999-2000 / 1993-97	-	-
Engine typ	B16A1 / A2 / A3	B16A1 / A2 / A3	B16A	B16A
Displ. (cc)	1594 cm <sup>3</sup>	1594 cm <sup>3</sup>	1595 cm <sup>3</sup>	1595 cm <sup>3</sup>

Piston Kit Part No.	Bore size (mm)	Ring Set Part No.	Piston Kit Part No.	Bore size (mm)	Ring Set Part No.	Piston Kit Part No.	Bore size (mm)	Ring Set Part No.	Piston Kit Part No.	Bore size (mm)	Ring Set Part No.
K9087DA	81.00	810XSY	K9434DA	81.00	810XTY	K9070DA	81.00	810XSY	K9425DA	81.00	810XTY
K9087D050	81.50	815XSY	K9434D050	81.50	815XTY	K9070D050	81.50	815XSY	K9425D050	81.50	815XTY
			K9434D100	82.00	820XTY				K9425D100	82.00	820XTY

Stroke	77.4 mm	77.4 mm	77.4 mm	77.4 mm
Wössner Comp. ratio	11.5:1	9.0:1	11.5:1	9.0:1
OE Comp. ratio	10.2:1	10.2:1	10.2:1	10.2:1
Dome Volume (CC)	+8.5 cm <sup>3</sup>	-3.5 cm <sup>3</sup>	+4.85 cm <sup>3</sup>	-2.7 cm <sup>3</sup>
Comp. Height (mm)	29.9 mm	29.90 mm	30.1 mm	29.85 mm
Valves per Cylinder	4	4	4	4
Cylinder No.	4	4	4	4
Piston weight in grams	302 gr.	294 gr.	288 gr.	280 gr.
Clip Part No.	CW21	CW21	CW21	CW21
Pin Part No.	WP051	WP092	WP013	WP034
Rod length	134	134	134.4	134.4
Price-Code	A	A	A	A
Top End Gasket Kit	see gasket list 108 - 142	see gasket list 108 - 142	see gasket list 108 - 142	see gasket list 108 - 142
Wössner connect. rods	-	-	-	-

# Honda®



<sup>3</sup> Engines and pistons are identical. Different combustion chambers produce divergent compression ratios.  
Motoren und Kolben sind identisch. Durch unterschiedliche Brennräume entstehen abweichende Verdichtungsverhältnisse

Model	Civic EX / CivicSI / Del Sol	Civic EX / Civic SI / Del Sol Turbo	Civic EX / Coupe ISR / Civic Del Sol V-Tec SOHC Turbo	<sup>3</sup> Integra GSR
Years	1992-95 / 1993-95	1992-95 / 1993-95	1996-98	1992-93
Engine typ	D16Z6 / D16Z7 / D16Z9	D16Z6 / D16Z7 / D16Z9	D16Y8	B17A1
Displ. (cc)	1590 cm <sup>3</sup>	1590 cm <sup>3</sup>	1590 cm <sup>3</sup>	1677 cm <sup>3</sup>

Piston Kit Part No.	Bore size (mm)	Ring Set Part No.	Piston Kit Part No.	Bore size (mm)	Ring Set Part No.	Piston Kit Part No.	Bore size (mm)	Ring Set Part No.	Piston Kit Part No.	Bore size (mm)	Ring Set Part No.
K9267DA	75.00	750XDS	K9426DA	75.00	750XTZ	K9427DA	75.00	750XTZ	K9070DA	81.00	810XSY
K9267D050	75.50	755XDS	K9426D050	75.50	755XTZ	K9427D050	75.50	755XTZ	K9070D050	81.50	815XSY
K9267D100	76.00	760XDS	K9426D100	76.00	760XTZ	K9427D100	76.00	760XTZ			
K9267D150	76.50	765XDS	K9426D150	76.50	765XTZ						

Stroke	90 mm	90 mm	90 mm	81.4 mm
Wössner Comp. ratio	11.5:1	9.0:1	9.0:1	11.2:1
OE Comp. ratio	9.4:1	9.4:1	9.6:1	9.4:1
Dome Volume (CC)	+9.8 cm <sup>3</sup>	-11 cm <sup>3</sup>	+3.85 cm <sup>3</sup>	+4.85 cm <sup>3</sup>
Comp. Height (mm)	29.80 mm	29.8 mm	29.2 mm	30.1 mm
Valves per Cylinder	2	4	4	4
Cylinder No.	4	4	4	4
Piston weight in grams	283 gr.	257 gr.	257 gr.	288 gr.
Clip Part No.	CW19	CW19	CW19	CW21
Pin Part No.	WP050	WP037	WP037	WP013
Rod length	137	137	137	132.28
Price-Code	A	A	A	A
Top End Gasket Kit	see gasket list 108 - 142	see gasket list 108 - 142	see gasket list 108 - 142	see gasket list 108 - 142
Wössner connect. rods	-	-	-	-

# Honda®



<sup>3</sup> Engines and pistons are identical. Different combustion chambers produce divergent compression ratios.  
Motoren und Kolben sind identisch. Durch unterschiedliche Brennräume entstehen abweichende Verdichtungsverhältnisse

Model	Integra GSR Turbo	Integra TypR 1.8Ltr. V-Tec Turbo	Civic 1.8Ltr. 16V VTI Turbo	<sup>3</sup> Civic 1.8Ltr. 16V VTI (170PS)
Years	1992-93	1997-2000	-	-
Engine typ	B17A1	B18C5 / C6	B18C4	B18C
Displ. (cc)	1677 cm <sup>3</sup>	1792 cm <sup>3</sup>	1797 cm <sup>3</sup>	1797 cm <sup>3</sup>

Piston Kit Part No.	Bore size (mm)	Ring Set Part No.	Piston Kit Part No.	Bore size (mm)	Ring Set Part No.	Piston Kit Part No.	Bore size (mm)	Ring Set Part No.	Piston Kit Part No.	Bore size (mm)	Ring Set Part No.
K9428DA	81.00	810XTY	K9210DA	81.00	810XTY	K9165D050	81.50	815XTY	K9070DA	81.00	810XSY
K9428D050	81.50	815XTY	K9210D050	81.50	815XTY				K9070D050	81.50	815XSY
K9428D100	82.00	820XTY									

Stroke	81.4 mm	87 mm	87.2 mm	87.2 mm
Wössner Comp. ratio	9.0:1	9:1	9.0:1	12.2:1
OE Comp. ratio	9.4:1	10.6:1	10.0:1	10.0:1
Dome Volume (CC)	-6.3 cm <sup>3</sup>	-6.5 cm <sup>3</sup>	-11.78 cm <sup>3</sup>	+4.85 cm <sup>3</sup>
Comp. Height (mm)	30 mm	30 mm	30.1 mm	30 mm
Valves per Cylinder	4	4	4	4
Cylinder No.	4	4	4	4
Piston weight in grams	274 gr.	292 gr.	294 gr.	288 gr.
Clip Part No.	CW21	CW21	CW21	CW21
Pin Part No.	WP034	WP092	WP092	WP013
Rod length	132.28	137	138	138
Price-Code	A	A	A2	A
Top End Gasket Kit	see gasket list 108 - 142	see gasket list 108 - 142	see gasket list 108 - 142	see gasket list 108 - 142
Wössner connect. rods	-	-	-	-

# Honda®



Model	S2000	S2000 Turbo	RSX Type S / Civic Typ R	RSX Type S / Civic Typ R Turbo
Years	2000-03	2000-03	2002 up / 2001-07	2002 up / 2001-07
Engine typ	F20C / C1	F20C / C1	K20A2 / A3	K20A2 / A3
Displ. (cc)	1997 cm <sup>3</sup>	1997 cm <sup>3</sup>	1997 cm <sup>3</sup>	1997 cm <sup>3</sup>

Piston Kit Part No.	Bore size (mm)	Ring Set Part No.	Piston Kit Part No.	Bore size (mm)	Ring Set Part No.	Piston Kit Part No.	Bore size (mm)	Ring Set Part No.	Piston Kit Part No.	Bore size (mm)	Ring Set Part No.
K9208DA	87.00	870XSY	K9435DA	87.00	870XTY	K9088DA	86.00	860XSY	K9244D100	87.00	870XTY
K9208D050	87.50	875XSY				K9088D050	86.50	865XSY			
K9208D100	88.00	880XSY				K9088D100	87.00	870XSY			

Stroke	84 mm	84 mm	86 mm	86 mm
Wössner Comp. ratio	11.7:1	9.0:1	12.0:1	9.0:1
OE Comp. ratio	11.0:1	11.0:1	11.0:1	11.0:1
Dome Volume (CC)	+9.4 cm <sup>3</sup>	-9.4 cm <sup>3</sup>	+9 cm <sup>3</sup>	-7.63 cm <sup>3</sup>
Comp. Height (mm)	30 mm	30 mm	30 mm	30 mm
Valves per Cylinder	4	4	4	4
Cylinder No.	4	4	4	4
Piston weight in grams	336 gr.	298 gr.	318 gr.	310 gr.
Clip Part No.	CW23	CW23	CW22	CW22
Pin Part No.	WP024	WP024	WP017	WP046
Rod length	153	153	139	139
Price-Code	A	A	A	A
Top End Gasket Kit	see gasket list 108 - 142	see gasket list 108 - 142	see gasket list 108 - 142	see gasket list 108 - 142
Wössner connect. rods	KPL043	KPL043	KPL003	KPL003

# Honda®



Model	CR-V Turbo	Prelude SI / Prelude Turbo	Prelude SI / Prelude	CRX / V-Tec 1.6 16V / DOHC
Years	1997-98	1992-96 / 1997-2001	1992-96 / 1997-2001	1987-92
Engine typ	B20B3	H22A1 / A4	H22A1 / H22A4	ED9 / EE8
Displ. (cc)	1971 cm <sup>3</sup>	2155 cm <sup>3</sup>	2155 cm <sup>3</sup>	1610 cm <sup>3</sup>

Piston Kit Part No.	Bore size (mm)	Ring Set Part No.	Piston Kit Part No.	Bore size (mm)	Ring Set Part No.	Piston Kit Part No.	Bore size (mm)	Ring Set Part No.	Piston Kit Part No.	Bore size (mm)	Ring Set Part No.
K9437DA	84.00	840XTY	K9157DA	87.00	870XTY	K9158DA	87.00	870XSY	K9206D100	76.00	760XDS
			K9157D100	88.00	880XTY	K9158D100	88.00	880XSY			
			K9157D200	89.00	890XTY	K9158D200	89.00	890XSY			

Stroke	89 mm	90.7 mm	90.7 mm	90 mm
Wössner Comp. ratio	9.0:1	8.0:1	11.6:1	11.6:1
OE Comp. ratio	8.8:1	9.0:1	9.0:1	10.5:1
Dome Volume (CC)	-10 cm <sup>3</sup>	-	-	+9.8 cm <sup>3</sup>
Comp. Height (mm)	30 mm	31 mm	31 mm	29.2 mm
Valves per Cylinder	4	4	4	4
Cylinder No.	4	4	4	4
Piston weight in grams	306 gr.	-	-	283 gr.
Clip Part No.	CW21	CW22	CW22	CW19
Pin Part No.	WP092	-	-	WP050
Rod length	137	143	143	-
Price-Code	A	A2	A2	A
Top End Gasket Kit	see gasket list 108 - 142	see gasket list 108 - 142	see gasket list 108 - 142	see gasket list 108 - 142
Wössner connect. rods	-	-	-	-

Lancia®



Model	Delta Integrale 2.0Ltr. Turbo 8V	Delta Integrale 2.0Ltr. Turbo 16V	Stratos
Years	-	-	1969-74
Engine typ	835	836	-
Displ. (cc)	1995 cm <sup>3</sup>	1995 cm <sup>3</sup>	2418 cm <sup>3</sup>

Piston Kit Part No.	Bore size (mm)	Ring Set Part No.	Piston Kit Part No.	Bore size (mm)	Ring Set Part No.	Piston Kit Part No.	Bore size (mm)	Ring Set Part No.
K9010DA	84.00	840XTY	K9011DA	84.00	840XTY	K9101DA	92.50	925XSY
K9010D020	84.20	842XTY	K9011D020	84.20	842XTY	K9101D050	93.00	930XSY
K9010D040	84.40	844XTY	K9011D040	84.40	844XTY	K9101D100	93.50	935XSY
K9010D060	84.60	846XTY	K9011D060	84.60	846XTY			
K9010D080	84.80	848XTY	K9011D080	84.80	848XTY			
			K9011D100	85.00	850XTY			

Stroke	90 mm	90 mm	60 mm
Wössner Comp. ratio	8.0:1	8.0:1	10.0:1
OE Comp. ratio	8.0:1	8.0:1	9.0:1
Dome Volume (CC)	-17.45 cm <sup>3</sup>	-8.5 cm <sup>3</sup>	-
Comp. Height (mm)	39.65 mm	39.65 mm	30 mm
Valves per Cylinder	2	4	2
Cylinder No.	4	4	6
Piston weight in grams	331 gr.	346 gr.	302 gr.
Clip Part No.	CW22	CW22	CW20
Pin Part No.	WP046	WP046	WP052
Rod length	145	145	117.92
Price-Code	A	A	G
Top End Gasket Kit	see gasket list 108 - 142	see gasket list 108 - 142	see gasket list 108 - 142
Wössner connect. rods	KPL001	KPL001	-

# Mazda®



Model	Miata / MX-5 1.6Ltr. 16V	Miata / MX-5 1.6Ltr.16V Turbo	Miata / MX-5 1.8Ltr.16V	Miata / MX-5 1.8Ltr.16V Turbo
Years	-	-	1994-2005	1994-2005
Engine typ	ABK / NA	ABK / NA	BP / NB	BP / NB
Displ. (cc)	1615 cm <sup>3</sup>	1615 cm <sup>3</sup>	1860 cm <sup>3</sup>	1860 cm <sup>3</sup>

Piston Kit Part No.	Bore size (mm)	Ring Set Part No.	Piston Kit Part No.	Bore size (mm)	Ring Set Part No.	Piston Kit Part No.	Bore size (mm)	Ring Set Part No.	Piston Kit Part No.	Bore size (mm)	Ring Set Part No.
K9079D050	78.50	785XDS	K9438D100	79.00	790XTZ	K9078D150	84.50	845XSX	K9436D100	84.00	840XTY
K9079D150	79.50	795XDS				K9078D200	85.00	850XSX	K9436D150	84.50	845XTY

Stroke	83.5 mm	83.5 mm	85 mm	85 mm
Wössner Comp. ratio	11.0:1	9.0:1	12.0:1	9.0:1
OE Comp. ratio	9.4:1	9.4:1	11.0:1	11.0:1
Dome Volume (CC)	+5.3 cm <sup>3</sup>	-5 cm <sup>3</sup>	+7 cm <sup>3</sup>	-0.3 cm <sup>3</sup>
Comp. Height (mm)	32.4 mm	32.4 mm	31.2 mm	31.2 mm
Valves per Cylinder	4	4	4	4
Cylinder No.	4	4	4	4
Piston weight in grams	305 gr.	282 gr.	326 gr.	318 gr.
Clip Part No.	CW20	CW20	CW20	CW20
Pin Part No.	WP038	WP052	WP052	WP052
Rod length	133	133	133	133
Price-Code	A	A	A	A
Top End Gasket Kit	see gasket list 108 - 142	see gasket list 108 - 142	see gasket list 108 - 142	see gasket list 108 - 142
Wössner connect. rods	KPL007	KPL007	KPL007	KPL007



# Mazda®



<b>Model</b>	Miata / MX-5 2.0Ltr. 16V Turbo
<b>Years</b>	-
<b>Engine typ</b>	MZR 14 / NC
<b>Displ. (cc)</b>	1999 cm <sup>3</sup>

<b>Piston Kit Part No.</b>	<b>Bore size (mm)</b>	<b>Ring Set Part No.</b>
K9439DA	87.50	875XTY
K9439D050	88.00	880XTY
K9439D100	88.50	885XTY

<b>Stroke</b>	83.10 mm
<b>Wössner Comp. ratio</b>	9.0:1
<b>OE Comp. ratio</b>	10.8:1
<b>Dome Volume (CC)</b>	-12.1 cm <sup>3</sup>
<b>Comp. Height (mm)</b>	28.4 mm
<b>Valves per Cylinder</b>	4
<b>Cylinder No.</b>	4
<b>Piston weight in grams</b>	325 gr.
<b>Clip Part No.</b>	CW21
<b>Pin Part No.</b>	WP034
<b>Rod length</b>	146.25
<b>Price-Code</b>	A
<b>Top End Gasket Kit</b>	see gasket list 108 - 142
<b>Wössner connect. rods</b>	-

**MG<sup>®</sup>**



<b>Model</b>	ZR 1.4Ltr. 16V	ZR / ZS / ZT / F / TF 1.8Ltr. 16V
<b>Years</b>	-	-
<b>Engine typ</b>	14K4F	18K4F
<b>Displ. (cc)</b>	1395 cm <sup>3</sup>	1796 cm <sup>3</sup>

Piston Kit Part No.	Bore size (mm)	Ring Set Part No.	Piston Kit Part No.	Bore size (mm)	Ring Set Part No.
K9221DA	75.00	750XDS	K9222DA	80.00	800XDS
			K9222D050	80.50	805XDS
			K9222D100	81.00	810XSY

<b>Stroke</b>	79 mm	89.3 mm
<b>Wössner Comp. ratio</b>	12.5:1	12.0:1
<b>OE Comp. ratio</b>	10.3:1	10.5:1
<b>Dome Volume (CC)</b>	+10.7 cm <sup>3</sup>	+1.2 cm <sup>3</sup>
<b>Comp. Height (mm)</b>	22.5 mm	23.8 mm
<b>Valves per Cylinder</b>	4	4
<b>Cylinder No.</b>	4	4
<b>Piston weight in grams</b>	218 gr.	253 gr.
<b>Clip Part No.</b>	CW18	CW18
<b>Pin Part No.</b>	WP031	WP099
<b>Rod length</b>	139.4	133.1
<b>Price-Code</b>	A *D050/100 = A2	A
<b>Top End Gasket Kit</b>	see gasket list 108 - 142	see gasket list 108 - 142
<b>Wössner connect. rods</b>	-	-

# MiniCooper®

<sup>1</sup> Rings need to be shortened / Ringe müssen gekürzt werden



Model	Cooper S	Cooper S
Years	2001-06	2007-present
Engine typ	-	EP6
Displ. (cc)	1591 cm <sup>3</sup>	1597 cm <sup>3</sup>

Piston Kit Part No.	Bore size (mm)	Ring Set Part No.	Piston Kit Part No.	Bore size (mm)	Ring Set Part No.
K9123DA	77.00	770XTZ	K9469DA	77.00	770XDS
K9123D025	77.25	772XTZ	K9469D050	77.50	775XDS
K9123D050	77.50	775XTZ			

Stroke	85.5 mm	85.8 mm
Wössner Comp. ratio	8.3:1	10.5:1
OE Comp. ratio	8.3:1	10.5:1
Dome Volume (CC)	-1.25 cm <sup>3</sup>	-0.55 cm <sup>3</sup>
Comp. Height (mm)	26.5 mm	28.5 mm
Valves per Cylinder	4	4
Cylinder No.	4	4
Piston weight in grams	236 gr.	273 gr.
Clip Part No.	CW21	CW20
Pin Part No.	WP051	WP068
Rod length	131.5	-
Price-Code	A	I
Top End Gasket Kit	see gasket list 108 - 142	see gasket list 108 - 142
Wössner connect. rods	-	-

# Mitsubishi®



Model	Eclipse / Talon EVO 1-3	Eclipse / Talon EVO 1-3	Eclipse / Talon EVO 4-7	Eclipse / Talon EVO 4-7
Years	1988-92	1988-92	1992 up	1992 up
Engine typ	4G63	4G63	4G63	4G63
Displ. (cc)	1997 cm <sup>3</sup>	1997 cm <sup>3</sup>	1997 cm <sup>3</sup>	1997 cm <sup>3</sup>

Piston Kit Part No.	Bore size (mm)	Ring Set Part No.	Piston Kit Part No.	Bore size (mm)	Ring Set Part No.	Piston Kit Part No.	Bore size (mm)	Ring Set Part No.	Piston Kit Part No.	Bore size (mm)	Ring Set Part No.
K9063DA	85.00	850XTY	K9442D050	85.50	855XTY	K9062DA	85.00	850XTY	K9441DA	85.00	850XTY
K9063D050	85.50	855XTY				K9062D050	85.50	855XTY	K9441D050	85.50	855XTY
						K9062D100	86.00	860XTY	K9441D100	86.00	860XTY
						K9062D150	86.50	865XTY			

Stroke	88 mm	88 mm	88 mm	88 mm
Wössner Comp. ratio	8.0:1	9.0:1	8.0:1	9.0:1
OE Comp. ratio	8.5:1	8.5:1	8.8:1	8.8:1
Dome Volume (CC)	-14.6 cm <sup>3</sup>	-5.7 cm <sup>3</sup>	-14.6 cm <sup>3</sup>	-5.7 cm <sup>3</sup>
Comp. Height (mm)	34.7 mm	34.7 mm	34.7 mm	34.7 mm
Valves per Cylinder	4	4	4	4
Cylinder No.	4	4	4	4
Piston weight in grams	335 gr.	335 gr.	344 gr.	344 gr.
Clip Part No.	CW21	CW21	CW22	CW22
Pin Part No.	WP092	WP092	WP046	WP046
Rod length	150	150	150	150
Price-Code	A2	A	A	A
Top End Gasket Kit	see gasket list 108 - 142	see gasket list 108 - 142	see gasket list 108 - 142	see gasket list 108 - 142
Wössner connect. rods	-	-	KPL008	KPL008

# Mitsubishi®



Model	Eclipse / Talon EVO 4-7 Stroker Kit	Eclipse / Talon EVO 4-7 Stroker Kit	EVO 8-9	EVO 8-9
Years	1992 up	1992 up	2003 up	2003 up
Engine typ	4G64	4G64	4G63	4G63
Displ. (cc)	2314 cm <sup>3</sup>	2314 cm <sup>3</sup>	1997 cm <sup>3</sup>	1997 cm <sup>3</sup>

Piston Kit Part No.	Bore size (mm)	Ring Set Part No.	Piston Kit Part No.	Bore size (mm)	Ring Set Part No.	Piston Kit Part No.	Bore size (mm)	Ring Set Part No.	Piston Kit Part No.	Bore size (mm)	Ring Set Part No.
K9251D100	86.00	860XTY	K9460D050	85.50	855XTY	K9125DA	85.00	850XTY	K9455DA	85.00	850XTY
			K9460D100	86.00	860XTY	K9125D050	85.50	855XTY	K9455D050	85.50	855XTY
						K9125D100	86.00	860XTY	K9455D100	86.00	860XTY

Stroke	100 mm	100 mm	88 mm	88 mm
Wössner Comp. ratio	8.0:1	9.0:1	8:1	9:1
OE Comp. ratio	8.8:1	8.8:1	8.8:1	8.8:1
Dome Volume (CC)	-25.8 cm <sup>3</sup>	-16 cm <sup>3</sup>	-13.7 cm <sup>3</sup>	-5.2 cm <sup>3</sup>
Comp. Height (mm)	28.7 mm	28.7 mm	34.30 mm	34.30 mm
Valves per Cylinder	4	4	4	4
Cylinder No.	4	4	4	4
Piston weight in grams	286 gr.	301 gr.	320 gr.	320 gr.
Clip Part No.	CW22	CW22	CW22	CW22
Pin Part No.	WP046	WP046	WP046	WP046
Rod length	150	150	150	150
Price-Code	A2	A2	A	A
Top End Gasket Kit	see gasket list 108 - 142	see gasket list 108 - 142	see gasket list 108 - 142	see gasket list 108 - 142
Wössner connect. rods	KPL008	KPL008	KPL008	KPL008

# Mitsubishi®

Model	EVO 8-9 Stroker Kit	EVO 10 RS	Eclipse / Eagle Talon 2.0Ltr.	3000GT / GTO / VR4 Stealth
Years	2003 up	2007 up	-	1991-99
Engine typ	4G64	4B11 MIVEC	4G63	6G72TT
Displ. (cc)	2314 cm <sup>3</sup>	1997 cm <sup>3</sup>	1996 cm <sup>3</sup>	2998 cm <sup>3</sup>

Piston Kit Part No.	Bore size (mm)	Ring Set Part No.	Piston Kit Part No.	Bore size (mm)	Ring Set Part No.	Piston Kit Part No.	Bore size (mm)	Ring Set Part No.	Piston Kit Part No.	Bore size (mm)	Ring Set Part No.
K9241DA	85.00	850XTY	K9279DA	86.00	860XTY	K9064D050	85.50	855XTY	K9440D040	91.50	915XTY
			K9279D050	86.50	865XTY	K9064D100	86.00	860XTY	K9440D090	92.00	920XTY
									K9440D140	92.50	925XTY

Stroke	100 mm	86 mm	88 mm	76 mm
Wössner Comp. ratio	9:1	8.5:1	8.0:1	9.0:1
OE Comp. ratio	8.8:1	9.0:1	8.3:1	8.0:1
Dome Volume (CC)	-14 cm <sup>3</sup>	-8.9 cm <sup>3</sup>	-17 cm <sup>3</sup>	-6.3 cm <sup>3</sup>
Comp. Height (mm)	28.30 mm	33.3 mm	35 mm	32 mm
Valves per Cylinder	4	4	4	4
Cylinder No.	4	4	4	6
Piston weight in grams	290 gr.	348 gr.	328 gr.	368 gr.
Clip Part No.	CW22	CW23	CW22	CW22
Pin Part No.	WP046	WP094	WP046	WP046
Rod length	150	140.75	150	140.9
Price-Code	A	A	A2	G
Top End Gasket Kit	see gasket list 108 - 142	see gasket list 108 - 142	see gasket list 108 - 142	see gasket list 108 - 142
Wössner connect. rods	-	KPL045	KPL008	-

# Nissan®



<b>Model</b>	Silvia / Bluebird 200SX Turbo (S13)	Silvia / Bluebird /200SX Turbo (S13)
<b>Years</b>	1987-93	1987-93
<b>Engine typ</b>	CA18DET	CA18DET
<b>Displ. (cc)</b>	1809 cm <sup>3</sup>	1809 cm <sup>3</sup>

Piston Kit Part No.	Bore size (mm)	Ring Set Part No.	Piston Kit Part No.	Bore size (mm)	Ring Set Part No.
K9197DA	83.00	830XTY	K9431D050	83.50	835XTY
K9197D050	83.50	835XTY	K9431D100	84.00	840XTY
K9197D100	84.00	840XTY			

<b>Stroke</b>	83.6 mm	83.6 mm
<b>Wössner Comp. ratio</b>	8:1	9.0:1
<b>OE Comp. ratio</b>	8.5:1	8.5:1
<b>Dome Volume (CC)</b>	-4.4 cm <sup>3</sup>	+3.8 cm <sup>3</sup>
<b>Comp. Height (mm)</b>	30 mm	30 mm
<b>Valves per Cylinder</b>	4	4
<b>Cylinder No.</b>	4	4
<b>Piston weight in grams</b>	316 gr.	316 gr.
<b>Clip Part No.</b>	CW20	CW20
<b>Pin Part No.</b>	WP061	WP061
<b>Rod length</b>	133	133
<b>Price-Code</b>	A	A
<b>Top End Gasket Kit</b>	see gasket list 108 - 142	see gasket list 108 - 142
<b>Wössner connect. rods</b>	KPL026	KPL026

# Nissan®



Model	Primera / Sentra / 200SX SE-R / Silvia / 180SX / 180Bluebird	Primera / Sentra / 200SX SE-R / Silvia / 180SX & Bluebird Turbo	Primera / Sentra / 200SX / 200SE-R / Silvia / 180SX / Bluebird Turbo	Primera / Sentra Turbo Stroker Kit
Years	-	-	-	1991-94
Engine typ	SR20 DE	SR20 DET	SR20 DET	SR20 DET
Displ. (cc)	1998 cm <sup>3</sup>	1998 cm <sup>3</sup>	1998 cm <sup>3</sup>	2113 cm <sup>3</sup>

Piston Kit Part No.	Bore size (mm)	Ring Set Part No.	Piston Kit Part No.	Bore size (mm)	Ring Set Part No.	Piston Kit Part No.	Bore size (mm)	Ring Set Part No.	Piston Kit Part No.	Bore size (mm)	Ring Set Part No.
K9171DA	86.00	860XSY	K9058DA	86.00	860XTY	K9429DA	86.00	860XTY	K9261DA	86.00	860XTY
K9171D050	86.50	865XSY	K9058D050	86.50	865XTY	K9429D050	86.50	865XTY	K9261D050	86.50	865XTY
K9171D100	87.00	870XSY	K9058D100	87.00	870XTY						

Stroke	86 mm	86 mm	86 mm	91 mm
Wössner Comp. ratio	10.7:1	8.0:1	9.0:1	8.0:1
OE Comp. ratio	8.5:1	8.5:1	8.5:1	8.5:1
Dome Volume (CC)	+3.4 cm <sup>3</sup>	-16.5 cm <sup>3</sup>	-7.6 cm <sup>3</sup>	-20.5 cm <sup>3</sup>
Comp. Height (mm)	32 mm	32 mm	32 mm	29.50 mm
Valves per Cylinder	4	4	4	4
Cylinder No.	4	4	4	4
Piston weight in grams	347 gr.	340 gr.	340 gr.	297 gr.
Clip Part No.	CW22	CW22	CW22	CW22
Pin Part No.	WP017	WP017	WP017	WP046
Rod length	136.25	136.25	136.25	136.25
Price-Code	A	A	A	A2
Top End Gasket Kit	see gasket list 108 - 142	see gasket list 108 - 142	see gasket list 108 - 142	see gasket list 108 - 142
Wössner connect. rods	KPL005	KPL005	KPL005	KPL005



# Nissan®



Model	R32-R34 Skyline	R32-R34 GTR Skyline (with Valve -pockets)	R32-R34 GTR Skyline Stroker (with Valve -pockets)	Skyline RB30 (with Valve -pockets)
Years	-	-	-	-
Engine typ	RB25DET	RB26DETT	RB26DETT	RB30DET
Displ. (cc)	2526 cm <sup>3</sup>	2542 cm <sup>3</sup>	2667 cm <sup>3</sup>	2960 cm <sup>3</sup>

Piston Kit Part No.	Bore size (mm)	Ring Set Part No.	Piston Kit Part No.	Bore size (mm)	Ring Set Part No.	Piston Kit Part No.	Bore size (mm)	Ring Set Part No.	Piston Kit Part No.	Bore size (mm)	Ring Set Part No.
K9172DA	86.00	860XTY	K9059DA	86.00	860XTY	K9262D050	86.50	865XTY	K9173D050	86.50	865XTY
K9172D050	86.50	865XTY	K9059D050	86.50	865XTY	K9262D100	87.00	870XTY			
K9172D100	87.00	870XTY	K9059D100	87.00	870XTY						

Stroke	71.7 mm	73.7 mm	77.7 mm	85 mm
Wössner Comp. ratio	8.0:1	8.5:1	8.5:1	7:1
OE Comp. ratio	8.5:1	8.5:1	8.5:1	7:1
Dome Volume (CC)	+8.8 cm <sup>3</sup>	+16.56 cm <sup>3</sup>	+8.8 cm <sup>3</sup>	+5.5 cm <sup>3</sup>
Comp. Height (mm)	31.5 mm	30 mm	28.50 mm	31.1 mm
Valves per Cylinder	4	4	4	4
Cylinder No.	6	6	6	6
Piston weight in grams	376 gr.	358 gr.	362 gr.	354 gr.
Clip Part No.	CW21	CW21	CW21	CW21
Pin Part No.	WP092	WP092	WP092	WP034
Rod length	121.5	121.5	121.5	152.5
Price-Code	G	G	G	G2
Top End Gasket Kit	see gasket list 108 - 142	see gasket list 108 - 142	see gasket list 108 - 142	see gasket list 108 - 142
Wössner connect. rods	KPL004	KPL004	KPL004	-

# Nissan®



Model	GT-R RB35	300ZX 3.0Ltr. Turbo	240SX Turbo	240SX Turbo
Years	-	1990-96	1991-98	1991-98
Engine typ	RB35	VG30DETT	KA24DET	KA24DET
Displ. (cc)	3797 cm <sup>3</sup>	2958 cm <sup>3</sup>	2387 cm <sup>3</sup>	2387 cm <sup>3</sup>

Piston Kit Part No.	Bore size (mm)	Ring Set Part No.	Piston Kit Part No.	Bore size (mm)	Ring Set Part No.	Piston Kit Part No.	Bore size (mm)	Ring Set Part No.	Piston Kit Part No.	Bore size (mm)	Ring Set Part No.
K9401DA	95.50	955XTY	K9061D200	89.00	890XTY	K9174DA	89.00	890XTY	K9430DA	89.00	890XTY
K9401D050	96.00	960XTY							K9430D050	89.50	895XTY
									K9430D100	90.00	900XTY
									K9430D150	90.50	905XTY

Stroke	88.4 mm	83 mm	96 mm	96 mm
Wössner Comp. ratio	9.5:1	8.0:1	8.5:1	9.0:1
OE Comp. ratio	9:1	9.0:1	10.5:1	10.5:1
Dome Volume (CC)	-0.1 cm <sup>3</sup>	-9.6 cm <sup>3</sup>	-22.3 cm <sup>3</sup>	-17.3 cm <sup>3</sup>
Comp. Height (mm)	34.3 mm	32 mm	34 mm	34 mm
Valves per Cylinder	4	4	4	4
Cylinder No.	6	6	4	4
Piston weight in grams	416 gr.	362 gr.	362 gr.	362 gr.
Clip Part No.	CW23	CW22	CW21	CW21
Pin Part No.	WP094	WP046	WP092	WP092
Rod length	165.1	154	165	165
Price-Code	G2	G	A2	A
Top End Gasket Kit	see gasket list 108 - 142	see gasket list 108 - 142	see gasket list 108 - 142	see gasket list 108 - 142
Wössner connect. rods	-	-	-	-

# Nissan®



Model	350Z Maxima / 350Z Altima / 350Z Infiniti	350Z Maxima / 350Z Altima / 350Z Infiniti Stroker Kit	350Z Maxima / 350Z Altima / 350Z Infiniti Turbo	Maxima / Altima/ Infiniti 350Z Turbo
Years	-	-	-	-
Engine typ	VQ35DE	VQ35DET	VQ35DET	VQ35DET
Displ. (cc)	3496 cm <sup>3</sup>	3794 cm <sup>3</sup>	3496 cm <sup>3</sup>	3496 cm <sup>3</sup>

Piston Kit Part No.	Bore size (mm)	Ring Set Part No.	Piston Kit Part No.	Bore size (mm)	Ring Set Part No.	Piston Kit Part No.	Bore size (mm)	Ring Set Part No.	Piston Kit Part No.	Bore size (mm)	Ring Set Part No.
K9127DA	95.50	955XSY	K9247D050	96.00	960XTY	K9128DA	95.50	955XTY	K9406D050	96.00	960XTY
K9127DD	95.53	955XSY				K9128D050	96.00	960XTY	K9406D100	96.50	965XTY
K9127D050	96.00	960XSY									
K9127D100	96.50	965XSY									

Stroke	81.4 mm	87.4 mm	81.4 mm	81.4 mm
Wössner Comp. ratio	12.0:1	8.5:1	8.0:1	9.0:1
OE Comp. ratio	10.3:1	10.3:1	10.3:1	10.3:1
Dome Volume (CC)	+12.5 cm <sup>3</sup>	-	-18.2 cm <sup>3</sup>	-7.9 cm <sup>3</sup>
Comp. Height (mm)	29.9 mm	27 mm	29.6 mm	29.6 mm
Valves per Cylinder	4	4	4	4
Cylinder No.	6	6	6	6
Piston weight in grams	401 gr.	-	376 gr.	376 gr.
Clip Part No.	CW22	CW22	CW22	CW22
Pin Part No.	WP017	WP046	WP046	WP046
Rod length	144.2	144.2	144.2	144.2
Price-Code	G	G2	G	G
Top End Gasket Kit	see gasket list 108 - 142	see gasket list 108 - 142	see gasket list 108 - 142	see gasket list 108 - 142
Wössner connect. rods	KPL006	KPL006	KPL006	KPL006

Opel®



Model	Astra / Corsa / Tigra / Vectra / Zafira 1.6Ltr. GSI 16V	Sprint Drag Racing	Calibra GSI 2.0Ltr. 16V Turbo (204 PS)	OPC 2.0Ltr. 16V Turbo
Years	-	-	-	-
Engine typ	X16XEL / C16XE	Z16LER	C20LET	Z20LET / LEH / Y20LET / Z20LER
Displ. (cc)	1598 cm <sup>3</sup>	1598 cm <sup>3</sup>	1998 cm <sup>3</sup>	1998 cm <sup>3</sup>

Piston Kit Part No.	Bore size (mm)	Ring Set Part No.	Piston Kit Part No.	Bore size (mm)	Ring Set Part No.	Piston Kit Part No.	Bore size (mm)	Ring Set Part No.	Piston Kit Part No.	Bore size (mm)	Ring Set Part No.
K9141DA	79.00	790XDS	K9466DA	79.00	790XTZ	K9092DA	86.00	860XTY	K9410DA	86.00	860XTY
K9141D050	79.50	795XDS	K9466D050	79.50	795XTZ	K9092D050	86.50	865XTY	K9410D050	86.50	865XTY
K9141D100	80.00	800XDS	K9466D100	80.00	800XTZ	K9092D100	87.00	870XTY	K9410D100	87.00	870XTY
						K9092D150	87.50	875XTY			

Stroke	81.5 mm	81.5 mm	86 mm	86 mm
Wössner Comp. ratio	11.5:1	8.5:1	8.5:1	8.8:1
OE Comp. ratio	10.5:1	8.8:1	8.8:1	8.8:1
Dome Volume (CC)	+3.45 cm <sup>3</sup>	-3.5 cm <sup>3</sup>	-18.4 cm <sup>3</sup>	-20.5 cm <sup>3</sup>
Comp. Height (mm)	28.2 mm	28 mm	30.5 mm	30.4 mm
Valves per Cylinder	4	4	4	4
Cylinder No.	4	4	4	4
Piston weight in grams	268 gr.	259 gr.	328 gr.	315 gr.
Clip Part No.	CW18	CW19	CW21	CW21
Pin Part No.	WP053	WP037	WP092	WP092
Rod length	129.75	129.7	143	143
Price-Code	A	A	A	A
Top End Gasket Kit	see gasket list 108 - 142	see gasket list 108 - 142	see gasket list 108 - 142	see gasket list 108 - 142
Wössner connect. rods	-	-	KPL009	KPL009

Opel®



Model	Astra / Calibra / Kadett / Vectra GSI 2.0Ltr. 16V Gr.A	Astra / Calibra / Kadett / Vectra GSI 2.0Ltr. 16V-Gr.A 3.Ring	2.0Ltr. 16V Flat Top (3. Ring)	2.0Ltr. 16V Kit Car (2. Ring)
Years	-	-	-	-
Engine typ	C20XE	C20XE	C20XE	C20XE
Displ. (cc)	1998 cm <sup>3</sup>	1998 cm <sup>3</sup>	1998 cm <sup>3</sup>	2092 cm <sup>3</sup>

Piston Kit Part No.	Bore size (mm)	Ring Set Part No.	Piston Kit Part No.	Bore size (mm)	Ring Set Part No.	Piston Kit Part No.	Bore size (mm)	Ring Set Part No.	Piston Kit Part No.	Bore size (mm)	Ring Set Part No.
K9005DA	86.00	860XSY	K9259DA	86.00	860XSY	K9396D150	87.50	875XSY	K9391D200	88.00	880XDS
K9005D050	86.50	865XSY	K9259D050	86.50	865XSY						
K9005D100	87.00	870XSY	K9259D100	87.00	870XSY						
K9005D150	87.50	875XSY	K9259D150	87.50	875XSY						
K9005D200	88.00	880XSY	K9259D200	88.00	880XSY						

Stroke	86 mm	86 mm	86 mm	86 mm
Wössner Comp. ratio	12.5:1	12.5:1	11.0:1	12.5:1
OE Comp. ratio	10.5:1	10.5:1	10.5:1	10.5:1
Dome Volume (CC)	+2.33 cm <sup>3</sup>	+2.33 cm <sup>3</sup>	-5.3 cm <sup>3</sup>	+0.3 cm <sup>3</sup>
Comp. Height (mm)	30.50 mm	30.50 mm	30.5 mm	22 mm
Valves per Cylinder	4	4	4	4
Cylinder No.	4	4	4	4
Piston weight in grams	278 gr.	298 gr.	302 gr.	243 gr.
Clip Part No.	CW21	CW21	CW21	CW18
Pin Part No.	WP051	WP051	WP051	WP053
Rod length	143	143	143	148
Price-Code	A	A	A	A
Top End Gasket Kit	see gasket list 108 - 142	see gasket list 108 - 142	see gasket list 108 - 142	see gasket list 108 - 142
Wössner connect. rods	KPL009	KPL009	KPL009	-

Opel®



Model	Manta / Ascona CIH 2.0Ltr. 8V	Manta / Ascona CIH 2.0Ltr. 8V Longer Rod	Manta / Ascona / Frontera / Omega CIH 2.4Ltr. 8V
Years	-	-	-
Engine typ	2.0 E	2.0 E	C2.4 NE
Displ. (cc)	1998 cm <sup>3</sup>	1998 cm <sup>3</sup>	2459 cm <sup>3</sup>

Piston Kit Part No.	Bore size (mm)	Ring Set Part No.	Piston Kit Part No.	Bore size (mm)	Ring Set Part No.	Piston Kit Part No.	Bore size (mm)	Ring Set Part No.
K9140DA	95.00	950XSY	K9395DA	95.00	950XSY	K9006D100	96.00	960XSY
K9140D050	95.50	955XSY	K9395D050	95.50	955XSY	K9006D150	96.50	965XSY
K9140D100	96.00	960XSY	K9395D100	96.00	960XSY	K9006D200	97.00	970XSY
K9140D200	97.00	970XSY	K9395D200	97.00	970XSY			

Stroke	69.8 mm	69.8 mm	85 mm
Wössner Comp. ratio	10.5:1	10.5:1	12.0:1
OE Comp. ratio	8.5:1	8.5:1	9.2:1
Dome Volume (CC)	+10.7 cm <sup>3</sup>	+10.7 cm <sup>3</sup>	+3.77 cm <sup>3</sup>
Comp. Height (mm)	45 mm	39 mm	31.5 mm
Valves per Cylinder	2	2	2
Cylinder No.	4	4	4
Piston weight in grams	506 gr.	474 gr.	424 gr.
Clip Part No.	CW22	CW22	CW22
Pin Part No.	WP046	WP046	WP017
Rod length	128	134	134
Price-Code	A	A	A
Top End Gasket Kit	see gasket list 108 - 142	see gasket list 108 - 142	see gasket list 108 - 142
Wössner connect. rods	-	-	KPL011

# Peugeot®



<sup>1</sup> Rings need to be shortened / Ringe müssen gekürzt werden  
<sup>2</sup> Combustion chamber need to be adapted at piston dome design  
 Brennraum muss der Domform des Kolbens angepasst werden

**Neu!**

Model	F2000 106	<sup>2</sup> 106 8V-Rally	106 8V Rally	<sup>2</sup> 205 Rally 1.3Ltr.
Years	-	-	-	-
Engine typ	TU1SP	TU2J2	TU2J2	TU 2/4
Displ. (cc)	1148 cm <sup>3</sup>	1293 cm <sup>3</sup>	1293 cm <sup>3</sup>	1293 cm <sup>3</sup>

Piston Kit Part No.	Bore size (mm)	Ring Set Part No.	Piston Kit Part No.	Bore size (mm)	Ring Set Part No.	Piston Kit Part No.	Bore size (mm)	Ring Set Part No.	Piston Kit Part No.	Bore size (mm)	Ring Set Part No.
K9414D080	72.80	<sup>1</sup> 730XDS	K9107DA	75.00	750XDS	K9480DA	75.00	750XDS	K9114DA	75.00	750XDS
			K9107D050	75.50	755XDS	K9480D050	75.50	755XDS	K9114D050	75.50	755XDS
			K9107D100	76.00	760XDS				K9114D100	76.00	760XDS

Stroke	69 mm	73.2 mm	73.2 mm	73 mm
Wössner Comp. ratio	-	11.5:1	-	11.5:1
OE Comp. ratio	10.7:1	10.2:1	10.2:1	9.6:1
Dome Volume (CC)	-	+7.1 cm <sup>3</sup>	+4.35 cm <sup>3</sup>	+7.16 cm <sup>3</sup>
Comp. Height (mm)	26.6 mm	37 mm	37 mm	38.8 mm
Valves per Cylinder	2	2	2	2
Cylinder No.	4	4	4	4
Piston weight in grams	196 gr.	240 gr.	236 gr.	252 gr.
Clip Part No.	CW18	CW18	CW18	CW18
Pin Part No.	WP049	WP031	WP053	WP031
Rod length	126.8	133.6	133.6	112.3
Price-Code	A	A	A	A
Top End Gasket Kit	see gasket list 108 - 142	see gasket list 108 - 142	see gasket list 108 - 142	see gasket list 108 - 142
Wössner connect. rods	-	-	-	-

## Peugeot®



<sup>2</sup> Combustion chamber need to be adapted at piston dome design  
Brennraum muss der Domform des Kolbens angepasst werden

Model	<sup>2</sup> 106 XSI 8V	<sup>2</sup> 106 XSI 8V	<sup>2</sup> 106 XSI 1.6Ltr. 8V
Years	-	-	-
Engine typ	TU3J2	TU3J2	TU5J2
Displ. (cc)	1360 cm <sup>3</sup>	1360 cm <sup>3</sup>	1587 cm <sup>3</sup>

Piston Kit Part No.	Bore size (mm)	Ring Set Part No.	Piston Kit Part No.	Bore size (mm)	Ring Set Part No.	Piston Kit Part No.	Bore size (mm)	Ring Set Part No.
K9108DA	75.00	750XDS	K9109DA	75.00	750XDS	K9110DA	78.50	785XDS
K9108D050	75.50	755XDS	K9109D050	75.50	755XDS	K9110D020	78.70	787XDS
K9108D100	76.00	760XDS	K9109D100	76.00	760XDS	K9110D050	79.00	790XDS
						K9110D100	79.50	795XDS

Stroke	77 mm	77 mm	82 mm
Wössner Comp. ratio	11.4:1	11.7:1	11.8:1
OE Comp. ratio	9.6:1	9.6:1	10.2:1
Dome Volume (CC)	+5.6 cm <sup>3</sup>	+9.6 cm <sup>3</sup>	+1.9 cm <sup>3</sup>
Comp. Height (mm)	41.5 mm	35 mm	32.5 mm
Valves per Cylinder	2	2	2
Cylinder No.	4	4	4
Piston weight in grams	278 gr.	248 gr.	270 gr.
Clip Part No.	CW18	CW20 (19.46)	CW18
Pin Part No.	WP031	WP096	WP039
Rod length	126.8	133.6	133.6
Price-Code	A	A	A
Top End Gasket Kit	see gasket list 108 - 142	see gasket list 108 - 142	see gasket list 108 - 142
Wössner connect. rods	-	KPL020	KPL019



## Peugeot®



Model	106 S16 Kit Car 1.6Ltr. 16V	106 S16 S16	106 S16 1.6Ltr. 16V Turbo	106 S16 1.6Ltr. 16V Gr.A Stroker Kit
Years	-	-	-	-
Engine typ	TU5J4	TU5J4	TU5J4	TU5J4
Displ. (cc)	1596 cm <sup>3</sup>	1588 cm <sup>3</sup>	1587 cm <sup>3</sup>	17745 cm <sup>3</sup>

Piston Kit Part No.	Bore size (mm)	Ring Set Part No.	Piston Kit Part No.	Bore size (mm)	Ring Set Part No.	Piston Kit Part No.	Bore size (mm)	Ring Set Part No.	Piston Kit Part No.	Bore size (mm)	Ring Set Part No.
K9150D020	78.70	787XDS	K9039DA	78.50	785XDS	K9089DA	78.50	785XTZ	K9407D100	79.50	795XDS
K9150D050	79.00	790XDS	K9039D020	78.70	787XDS	K9089D020	78.70	787XTZ	K9407D150	80.00	800XDS
			K9039D050	79.00	790XDS	K9089D050	79.00	790XTZ			
			K9039D100	79.50	795XDS	K9089D100	79.50	795XTZ			
			K9039D150	80.00	800XDS						

Stroke	82 mm	82 mm	82 mm	89 mm
Wössner Comp. ratio	12.7:1	12.0:1	9.0:1	-
OE Comp. ratio	12.7:1	10.7:1	10.7:1	10.7:1
Dome Volume (CC)	+6.7 cm <sup>3</sup>	+7.1 cm <sup>3</sup>	-	-
Comp. Height (mm)	28.3 mm	32.5 mm	32.5 mm	29 mm
Valves per Cylinder	4	4	4	4
Cylinder No.	4	4	4	4
Piston weight in grams	254 gr.	260 gr.	284 gr.	257 gr.
Clip Part No.	CW18	CW20 (19.46)	CW20 (19.46)	CW20 (19.46)
Pin Part No.	WP031	WP096	WP035	WP096
Rod length	137.75	133.6	133.6	133.6
Price-Code	A	A	A	A
Top End Gasket Kit	see gasket list 108 - 142	see gasket list 108 - 142	see gasket list 108 - 142	see gasket list 108 - 142
Wössner connect. rods	KPL030	KPL020	KPL020	KPL020

# Peugeot®



Model	205 GTI 1.6Ltr. 8V	205 GTI 1.9Ltr. 8V	205 GTI 1.6Ltr. S16
Years	-	-	-
Engine typ	XU5JA	XU9JA	XU9JA
Displ. (cc)	1580 cm <sup>3</sup>	1905 cm <sup>3</sup>	1905 cm <sup>3</sup>

Piston Kit Part No.	Bore size (mm)	Ring Set Part No.	Piston Kit Part No.	Bore size (mm)	Ring Set Part No.	Piston Kit Part No.	Bore size (mm)	Ring Set Part No.
K9111DA	83.00	830XSY	K9112DA	83.00	830XSY	K9113DA	83.00	830XSY
K9111D050	83.50	835XSY	K9112D050	83.50	835XSY	K9113D050	83.50	835XSY
K9111D100	84.00	840XSY	K9112D100	84.00	840XSY	K9113D100	84.00	840XSY

Stroke	73 mm	88 mm	88 mm
Wössner Comp. ratio	12.0:1	12.5:1	11.5:1
OE Comp. ratio	9.8:1	9.6:1	9.2:1
Dome Volume (CC)	-	-0.5 cm <sup>3</sup>	-
Comp. Height (mm)	38.25 mm	37 mm	32 mm
Valves per Cylinder	2	2	4
Cylinder No.	4	4	4
Piston weight in grams	334 gr.	320 gr.	319 gr.
Clip Part No.	CW20	CW20	CW20
Pin Part No.	WP052	WP052	WP052
Rod length	150.5	143	154.5
Price-Code	A	A	A2
Top End Gasket Kit	see gasket list 108 - 142	see gasket list 108 - 142	see gasket list 108 - 142
Wössner connect. rods	-	-	-

# Peugeot®



Model	206 XS S16 1.6Ltr. 16V Gr.A	206 XS 1.6Ltr. S16 Kit Car	206 Super Car
Years	-	-	-
Engine typ	TU5JP4	TU5JP4	TU5JP4
Displ. (cc)	1587 cm <sup>3</sup>	1594 cm <sup>3</sup>	1595 cm <sup>3</sup>

Piston Kit Part No.	Bore size (mm)	Ring Set Part No.	Piston Kit Part No.	Bore size (mm)	Ring Set Part No.	Piston Kit Part No.	Bore size (mm)	Ring Set Part No.
K9177DA	78.50	785XDS	K9233D020	78.70	787XDS	K9416D020	78.70	787XDS
K9177D020	78.70	787XDS	K9233D050	79.00	790XDS	K9416D050	79.00	790XDS
K9177D050	79.00	790XDS						
K9177D150	80.00	800XDS						

Stroke	82 mm	82 mm	82 mm
Wössner Comp. ratio	12.2:1	12.7:1	13:1
OE Comp. ratio	10.8:1	10.8:1	10.7:1
Dome Volume (CC)	+8.72 cm <sup>3</sup>	+7.6 cm <sup>3</sup>	+10.8 cm <sup>3</sup>
Comp. Height (mm)	32.1 mm	28 mm	26.75 mm
Valves per Cylinder	4	4	4
Cylinder No.	4	4	4
Piston weight in grams	260 gr.	243 gr.	245 gr.
Clip Part No.	CW18	CW18	CW18
Pin Part No.	WP031	WP031	WP031
Rod length	133.6	137.75	139
Price-Code	A	A	A
Top End Gasket Kit	see gasket list 108 - 142	see gasket list 108 - 142	see gasket list 108 - 142
Wössner connect. rods	KPL019	KPL030	KPL046

## Peugeot®



<b>Model</b>	206 RC / GTI 180 2.0Ltr. 16V (177PS)	206 RC 2.0Ltr. / GTI 180 Turbo ( 177PS )	207RC
<b>Years</b>	-	-	2010-11
<b>Engine typ</b>	EW10J4RS	EW10J4R	EP6
<b>Displ. (cc)</b>	1997 cm <sup>3</sup>	1997 cm <sup>3</sup>	1597 cm <sup>3</sup>

Piston Kit Part No.	Bore size (mm)	Ring Set Part No.	Piston Kit Part No.	Bore size (mm)	Ring Set Part No.	Piston Kit Part No.	Bore size (mm)	Ring Set Part No.
K9190DA	85.00	850XSY	K9287DA	85.00	850XTY	K9469DA	77.00	770XDS
K9190D050	85.50	855XSY	K9287D050	85.50	855XTY	K9469D050	77.50	775XDS

<b>Stroke</b>	88 mm	88 mm	85.8 mm
<b>Wössner Comp. ratio</b>	12.5:1	8.5:1	10.5:1
<b>OE Comp. ratio</b>	11.0:1	11.0:1	10.5:1
<b>Dome Volume (CC)</b>	+6.5 cm <sup>3</sup>	-15 cm <sup>3</sup>	-0.55 cm <sup>3</sup>
<b>Comp. Height (mm)</b>	29.5 mm	29.5 mm	28.5 mm
<b>Valves per Cylinder</b>	4	4	4
<b>Cylinder No.</b>	4	4	4
<b>Piston weight in grams</b>	336 gr.	286 gr.	273 gr.
<b>Clip Part No.</b>	CW21	CW21	CW20
<b>Pin Part No.</b>	WP034	WP034	WP068
<b>Rod length</b>	139	139	-
<b>Price-Code</b>	A	A	I
<b>Top End Gasket Kit</b>	see gasket list 108 - 142	see gasket list 108 - 142	see gasket list 108 - 142
<b>Wössner connect. rods</b>	KPL033	KPL033	-

# Peugeot®



<b>Model</b>	306 / 405 MI16 2.0Ltr. S16 (155PS)	306-RS S16 / 306 GTI 2.0Ltr. 16V (167PS)	306 Kit Car EVO 5.6.7	306 2.0Ltr. S16 Turbo (167PS)
<b>Years</b>	-	-	-	-
<b>Engine typ</b>	XU10J4	XU10J4RS	XU10J4RS-K	XU10J4RS
<b>Displ. (cc)</b>	1998 cm <sup>3</sup>	1998 cm <sup>3</sup>	1998 cm <sup>3</sup>	1998 cm <sup>3</sup>

Piston Kit Part No.	Bore size (mm)	Ring Set Part No.	Piston Kit Part No.	Bore size (mm)	Ring Set Part No.	Piston Kit Part No.	Bore size (mm)	Ring Set Part No.	Piston Kit Part No.	Bore size (mm)	Ring Set Part No.
K9041DA	86.00	860XSY	K9181DA	86.00	860XSY	K9182DA	86.00	860XSY	K9203DA	86.00	860XTY
K9041D050 *	86.50	865XSY	K9181D050	86.50	865XSY	K9182D050*	86.50	865XSY	K9203D050	86.50	865XTY
K9041D100	87.00	870XSY	K9181D100	87.00	870XSY				K9203D100	87.00	870XTY

<b>Stroke</b>	86 mm	86 mm	86 mm	86 mm
<b>Wössner Comp. ratio</b>	12.2:1	12.2:1	12.6:1	8.0:1
<b>OE Comp. ratio</b>	10.4:1	10.8:1	10.8:1	10.8:1
<b>Dome Volume (CC)</b>	+5.9 cm <sup>3</sup>	+2.8 cm <sup>3</sup>	+7.5 cm <sup>3</sup>	-
<b>Comp. Height (mm)</b>	37 mm	34 mm	28.9 mm	34 mm
<b>Valves per Cylinder</b>	4	4	4	4
<b>Cylinder No.</b>	4	4	4	4
<b>Piston weight in grams</b>	362 gr.	317 gr.	294 gr.	345 gr.
<b>Clip Part No.</b>	CW22	CW20	CW18	CW22
<b>Pin Part No.</b>	WP009	WP038	WP053	WP046
<b>Rod length</b>	152	158	160	158
<b>Price-Code</b>	A *D050 = A2	A	A *D050 = A2	A
<b>Top End Gasket Kit</b>	see gasket list 108 - 142	see gasket list 108 - 142	see gasket list 108 - 142	see gasket list 108 - 142
<b>Wössner connect. rods</b>	KPL028	KPL029	-	-

## Peugeot®



<b>Model</b>	309 GTI / 309 S16 / 405 MI16 1.9Ltr.	309 GTI / S16 / 405 MI16 1.9Ltr. Turbo	405 T16
<b>Years</b>	-	-	-
<b>Engine typ</b>	XU9J4	XU9J4	XU10J4 stroker
<b>Displ. (cc)</b>	1903 cm <sup>3</sup>	1903 cm <sup>3</sup>	1997 cm <sup>3</sup>

Piston Kit Part No.	Bore size (mm)	Ring Set Part No.	Piston Kit Part No.	Bore size (mm)	Ring Set Part No.	Piston Kit Part No.	Bore size (mm)	Ring Set Part No.
K9042DA	83.00	830XSY	K9229D050	83.50	835XTY	K9115DA	86.00	860XTY
K9042D050	83.50	835XSY				K9115D050	86.50	865XTY
K9042D200	85.00	850XSY				K9115D100	87.00	870XTY

<b>Stroke</b>	88 mm	88 mm	86 mm
<b>Wössner Comp. ratio</b>	11.8:1	8.5:1	8.0:1
<b>OE Comp. ratio</b>	10.4:1	10.4:1	8.0:1
<b>Dome Volume (CC)</b>	+1.7 cm <sup>3</sup>	-17.5 cm <sup>3</sup>	-
<b>Comp. Height (mm)</b>	38 mm	38 mm	35.5 mm
<b>Valves per Cylinder</b>	4	4	4
<b>Cylinder No.</b>	4	4	4
<b>Piston weight in grams</b>	326 gr.	320 gr.	354 gr.
<b>Clip Part No.</b>	CW22	CW22	CW23
<b>Pin Part No.</b>	WP009	WP046	WP024
<b>Rod length</b>	143	143	152
<b>Price-Code</b>	A	A	A
<b>Top End Gasket Kit</b>	see gasket list 108 - 142	see gasket list 108 - 142	see gasket list 108 - 142
<b>Wössner connect. rods</b>	KPL044	KPL044	KPL051

# Porsche®



<sup>2</sup> Brennraum muss der Domform des Kolbens angepasst werden

<sup>2</sup> Combustion chamber need to be adapted at piston dome design

Model	356 B / 912 / 356 <sup>2</sup> SC Super 90 (90PS)	911 E / 911 L 2.0Ltr. 130-140PS	911 S 2.0Ltr. 160PS
Years	1960-69	1965-68	1966
Engine typ	616.16,36	2000	-
Displ. (cc)	1582 cm <sup>3</sup>	1991 cm <sup>3</sup>	1991 cm <sup>3</sup>

Piston Kit Part No.	Bore size (mm)	Ring Set Part No.	Piston Kit Part No.	Bore size (mm)	Ring Set Part No.	Piston Kit Part No.	Bore size (mm)	Ring Set Part No.
K9015DA	82.50	825XSY	K9102DA*	80.00	800XDS	K9412DA	80.00	800XDS
K9015D050	83.00	830XSY	K9102D050	80.50	805XDS	K9412D050	80.50	805XDS
K9015D100	83.50	835XSY	K9102D100	81.00	810XSY	K9412D100	81.00	810XDS

Stroke	74 mm	66 mm	66 mm
Wössner Comp. ratio	9.5:1	9.0:1	10.5:1
OE Comp. ratio	9.3:1	9.1:1	9.8:1
Dome Volume (CC)	-	-	+34.5 cm <sup>3</sup>
Comp. Height (mm)	27 mm	34 mm	34 mm
Valves per Cylinder	2	2	2
Cylinder No.	4	6	6
Piston weight in grams	292 gr.	325 gr.	342 gr.
Clip Part No.	CW22	CW22	CW22
Pin Part No.	WP017	WP017	WP017
Rod length	136	130	130
Price-Code	A	G *DA = G2	G
Top End Gasket Kit	-	-	-
Wössner connect. rods	-	KPL037	KPL037
Cyl./Sleeves	-	ZP092-123	-

# Porsche®



**Neu!**

Model	911 "T" 2.2Ltr. (125PS)	911 S 2.2Ltr.(180PS)	911 S/E/T 2,4Ltr.	911 SC 3.0Ltr. (204PS)
Years	1969-71	1969-70	72-73 / 71-73 (T)	1980-83
Engine typ	911.03	911.02	-	930.10
Displ. (cc)	2193 cm <sup>3</sup>	2193 cm <sup>3</sup>	2340 cm <sup>3</sup>	2993 cm <sup>3</sup>

Piston Kit Part No.	Bore size (mm)	Ring Set Part No.	Piston Kit Part No.	Bore size (mm)	Ring Set Part No.	Piston Kit Part No.	Bore size (mm)	Ring Set Part No.	Piston Kit Part No.	Bore size (mm)	Ring Set Part No.
K9135DA*	84.00	840XTY	K9103DA	84.00	840XSY	K9482DA	84.00	840XSY	K9254DA	95.00	950XSY
K9135D050	84.50	845XTY	K9103D050	84.50	845XSY	K9482D050	84.50	845XSY	K9254D300	98.00	980XSY
K9135D100	85.00	850XTY	K9103D100	85.00	850XSY	K9482D100	85.00	850XSY			

Stroke	66 mm	66 mm	70.4 mm	70.4 mm
Wössner Comp. ratio	8.5:1	10.5:1	9.5:1	10.5:1
OE Comp. ratio	8.6:1	9.8:1	8.5:1	9.8:1
Dome Volume (CC)	+19.1 cm <sup>3</sup>	+29.4 cm <sup>3</sup>	+24.9 cm <sup>3</sup>	+42.2 cm <sup>3</sup>
Comp. Height (mm)	34 mm	34 mm	34 mm	34 mm
Valves per Cylinder	2	2	2	2
Cylinder No.	6	6	6	6
Piston weight in grams	351 gr.	354 gr.	-	456gr.
Clip Part No.	CW22	CW22	CW22	C22x1.6
Pin Part No.	WP017	WP017	WP017	WP017
Rod length	130	130	-	127.75
Price-Code	G *DA = G2	G	G	G
Top End Gasket Kit	-	-	-	-
Wössner connect. rods	KPL037	KPL037	-	KPL047
Cyl./Sleeves	-	ZP092-120	-	-



# Porsche®



<b>Model</b>	911 SC 3.0Ltr.	RS 2.7Ltr.	911 3.2Ltr. 3.2Ltr.	930 3.3Ltr. Turbo
<b>Years</b>	1978-82	1973	1983-90	1977-90
<b>Engine typ</b>	930.10	-	930.20,21,26	M30.66 / B6
<b>Displ. (cc)</b>	2993 cm <sup>3</sup>	2687 cm <sup>3</sup>	3164 cm <sup>3</sup>	3299 cm <sup>3</sup>

Piston Kit Part No.	Bore size (mm)	Ring Set Part No.	Piston Kit Part No.	Bore size (mm)	Ring Set Part No.	Piston Kit Part No.	Bore size (mm)	Ring Set Part No.	Piston Kit Part No.	Bore size (mm)	Ring Set Part No.
K9456DA	95.00	950XSY	K9413DA	90.00	900XSY	K9255DA	95.00	950XSY	K9290DA	97.00	970XTY
						K9255D300*	98.00	980XSY			

<b>Stroke</b>	70.4 mm	70.4 mm	74.4 mm	74.40 mm
<b>Wössner Comp. ratio</b>	11.5:1	11.6:1	10.5:1	7.0:1
<b>OE Comp. ratio</b>	9.8:1	8.5:1	10.3:1	7.0:1
<b>Dome Volume (CC)</b>	+52.4 cm <sup>3</sup>	+26.4 cm <sup>3</sup>	+36.5 cm <sup>3</sup>	4.2 cm <sup>3</sup>
<b>Comp. Height (mm)</b>	34 mm	32.5 mm	32.80 mm	32.8 mm
<b>Valves per Cylinder</b>	2	2	2	2
<b>Cylinder No.</b>	6	6	6	6
<b>Piston weight in grams</b>	457 gr.	368 gr.	432 gr.	415 gr.
<b>Clip Part No.</b>	C22x1.6	CW22	C23x1.6	C23x1.6
<b>Pin Part No.</b>	WP046	WP017	WP024	WP094
<b>Rod length</b>	127.75	127	127	127
<b>Price-Code</b>	G	G2	G *D300 = G2	G2
<b>Top End Gasket Kit</b>	-	-	-	-
<b>Wössner connect. rods</b>	KPL047	KPL050	KPL049	-
<b>Cyl./Sleeves</b>	-	-	-	-

# Porsche®



<b>Model</b>	944 2.5 Ltr.	944 2.5 Ltr. Turbo	964 3.6Ltr.
<b>Years</b>	1988-89	all	1989-94
<b>Engine typ</b>	-	-	-
<b>Displ. (cc)</b>	2479 cm <sup>3</sup>	2479 cm <sup>3</sup>	3598 cm <sup>3</sup>

Piston Kit Part No.	Bore size (mm)	Ring Set Part No.	Piston Kit Part No.	Bore size (mm)	Ring Set Part No.	Piston Kit Part No.	Bore size (mm)	Ring Set Part No.
K9476DA	100.00	1000XTY	K9477DA	100.00	1000XTY	K9017DA	100.00	1000XSY
K9476D050	100.50	10005XTY	K9477D050	100.50	10005XTY			
K9476D100	101.00	1010XTY	K9477D100	101.00	1010XTY			

<b>Stroke</b>	78.9 mm	78.9 mm	76.4 mm
<b>Wössner Comp. ratio</b>	10.6:1	8:1	11.8:1
<b>OE Comp. ratio</b>	10.6:1	8:1	11.3:1
<b>Dome Volume (CC)</b>	-	-26.6 cm <sup>3</sup>	+40.16 cm <sup>3</sup>
<b>Comp. Height (mm)</b>	40.8 mm	40.8mm	31.7 mm
<b>Valves per Cylinder</b>	2	2	2
<b>Cylinder No.</b>	4	4	3L / 3R
<b>Piston weight in grams</b>	-	-	460 gr.
<b>Clip Part No.</b>	CW24	CW24	C23x1.6
<b>Pin Part No.</b>	WP022	WP022	WP008
<b>Rod length</b>	-	-	127
<b>Price-Code</b>	B	B	G
<b>Top End Gasket Kit</b>	-	-	-
<b>Wössner connect. rods</b>	-	-	KPL048
<b>Cyl./Sleeves</b>	-	-	-

# Porsche®



Model	964 to 3.8Ltr.	965 Turbo to 3.8Ltr.	993 3.6Ltr.	993 to 3.8Ltr.
Years	1989-94	1990-94	1994-98	1994-98
Engine typ	-	-	-	-
Displ. (cc)	3743 cm <sup>3</sup>	3743 cm <sup>3</sup>	3598 cm <sup>3</sup>	3743 cm <sup>3</sup>

Piston Kit Part No.	Bore size (mm)	Ring Set Part No.	Piston Kit Part No.	Bore size (mm)	Ring Set Part No.	Piston Kit Part No.	Bore size (mm)	Ring Set Part No.	Piston Kit Part No.	Bore size (mm)	Ring Set Part No.
K9017D200	102.00	1020XSK	K9196D200	102.00	1020XSK	K9016DA	100.00	1000XSY	K9016D200	102.00	1020XSK

Stroke	76.4 mm	76.4 mm	76.4 mm	76.4 mm
Wössner Comp. ratio	11.8:1	8.2:1	11.8:1	11.8:1
OE Comp. ratio	11.3:1	7.5:1	11.3:1	11.3:1
Dome Volume (CC)	+40.16 cm <sup>3</sup>	+6.65 cm <sup>3</sup>	+40.16 cm <sup>3</sup>	+40.16 cm <sup>3</sup>
Comp. Height (mm)	31.7 mm	31.7 mm	31.7 mm	31.7 mm
Valves per Cylinder	2	2	2	2
Cylinder No.	3L / 3R	6	6	6
Piston weight in grams	440 gr.	426 gr.	461 gr.	443 gr.
Clip Part No.	C23x1.6	C23x1.6	C23x1.6	C23x1.6
Pin Part No.	WP008	WP008	WP008	WP008
Rod length	127	127	127	127
Price-Code	G	G2	G2	G
Top End Gasket Kit	-	-	-	-
Wössner connect. rods	KPL048	-	KPL031	KPL031
Cyl./Sleeves	ZP107-120	ZP107-120	-	ZP107-120

# Porsche®



Model	993 TT / GT2 3.6Ltr.	993 Turbo to 3.8Ltr. (Turbo 1995-98 / GT2 1996-98)	996 TT / GT2 to 3.8Ltr. to 3.8Ltr.	997 GT3 RS 3.8Ltr. (415PS)
Years	1995-98	1995-98 / 1996-98	2001-05	2006 up
Engine typ	-	-	-	-
Displ. (cc)	3743 cm <sup>3</sup>	3743 cm <sup>3</sup>	3743 cm <sup>3</sup>	3743 cm <sup>3</sup>

Piston Kit Part No.	Bore size (mm)	Ring Set Part No.	Piston Kit Part No.	Bore size (mm)	Ring Set Part No.	Piston Kit Part No.	Bore size (mm)	Ring Set Part No.	Piston Kit Part No.	Bore size (mm)	Ring Set Part No.
K9018DA	100.00	1000XTY	K9018D200	102.00	1020XSK	K9260D200	102.00	1020XSK	K9268D200	102.00	1020XSK

Stroke	76.4 mm	76.4 mm	76.4 mm	76.4 mm
Wössner Comp. ratio	8.0:1	8.0:1	9.4:1	12.7:1
OE Comp. ratio	8.0:1	8.0:1	9.4:1	12.0:1
Dome Volume (CC)	+12.12 cm <sup>3</sup>	+12.12 cm <sup>3</sup>	-20 cm <sup>3</sup>	-0.82 cm <sup>3</sup>
Comp. Height (mm)	31.6 mm	31.6 mm	33.10 mm	30.10 mm
Valves per Cylinder	2	2	4	4
Cylinder No.	6	6	6	6
Piston weight in grams	462 gr.	453 gr.	453 gr.	418 gr.
Clip Part No.	C23x1.6	C23x1.6	C23x1.6	C22x1.6
Pin Part No.	WP094	WP094	WP047	WP009
Rod length	127	127	127	130.5
Price-Code	G	G2	G2	G3
Top End Gasket Kit	-	-	see gasket list 108 - 142	-
Wössner connect. rods	KPL031	KPL031	KPL031	-
Cyl./Sleeves	-	ZP107-114.5 ZP109-114.5	PSK	PSK

# Porsche®



Model	Cayman S 3.4Ltr.	996 911Carrera / 911Carrera 4 3.4Ltr.	996 - 911Carrera / 996 - 911Targa / 996 - 911Carrera 4 / 996 - 911Carrera 4S 3.6Ltr.	997 - 911Carrera S / 997 - 911Carrera 4S 3.8Ltr.
Years	-	bis Mj. 2001	ab Mj. 2002	-
Engine typ	M97.21	M96.01/04	M96.03	M97.01
Displ. (cc)	3387 cm <sup>3</sup>	3387 cm <sup>3</sup>	3596 cm <sup>3</sup>	3824 cm <sup>3</sup>

Piston Kit Part No.	Bore size (mm)	Ring Set Part No.	Piston Kit Part No.	Bore size (mm)	Ring Set Part No.	Piston Kit Part No.	Bore size (mm)	Ring Set Part No.	Piston Kit Part No.	Bore size (mm)	Ring Set Part No.
K9471DA	96.00	960XTY	K9472DA	96.00	960XTY	K9473DA	96.00	960XTY	K9474DA	99.00	990XTY
K9471D050	96.50	965XTY	K9472D050	96.50	965XTY	K9473D050	96.50	965XTY	K9474D050	99.50	995XTY
K9471D100	97.00	970XTY	K9472D100	97.00	970XTY	K9473D100	97.00	970XTY	K9474D100	100.00	1000XTY

Stroke	78 mm	78 mm	82.8 mm	82.8 mm
Wössner Comp. ratio	11.1:1	11.3:1	11.3:1	11.8:1
OE Comp. ratio	11.1:1	11.3:1	11.3:1	11.8:1
Dome Volume (CC)	-7.8 cm <sup>3</sup>	-15 cm <sup>3</sup>	-11 cm <sup>3</sup>	-13.8 cm <sup>3</sup>
Comp. Height (mm)	32.3 mm	32.3 mm	33 mm	33 mm
Valves per Cylinder	4	4	4	4
Cylinder No.	6	6	6	6
Piston weight in grams	410 gr.	398 gr.	-	427 gr.
Clip Part No.	C22x1.6	C22x1.6	C22x1.6	C22x1.6
Pin Part No.	WP098	WP098	WP098	WP098
Rod length	-	-	-	-
Price-Code	G	G	G	G
Top End Gasket Kit	-	-	-	-
Wössner connect. rods	-	-	-	-

## Porsche®



### Cylinder

Part Number	Bore Ø	Fitting Ø	Height	Price Code
ZP107-114.5	102	107	114,5	Z1
ZP107-120	102	107	120	Z1
ZP109-114.5	102	109	114,5	Z1
ZP109-120	102	109	120	Z1
ZP092-123	80	92	123	Z1
ZP092-120	84	92	120	Z5

### Cylinder Kit

Part Number	Bore Ø	Fitting Ø	Height	Price Code
ZP107-114.5K	102	107	114,5	Z2
ZP107-120K	102	107	120	Z2
ZP109-114.5K	102	109	114,5	Z2
ZP109-120K	102	109	120	Z2
ZP092-123K	80	92	123	Z2
ZP092-120K	84	92	120	Z6

### Sleeve

Part Number	Bore Ø	Fitting Ø	Height	Price Code
PS	102	107	120,5	Z3

### Sleeve Kit

Part Number	Bore Ø	Fitting Ø	Height	Price Code
PSK	102	107	120,5	Z4

# Renault®



<sup>1</sup> Rings need to be shortened / Ringe müssen gekürzt werden

Model	Alpine 1300 / R8 Gordini 1300	Alpine 1600 / R12 Gordini	Alpine 1600	Alpine 1600
Years	-	-	-	-
Engine typ	812-00	807-12/-G / 803-32	807-12/-G / 803-32	807-12/-G / 803-32
Displ. (cc)	1255 cm <sup>3</sup>	1565 cm <sup>3</sup>	1796 cm <sup>3</sup>	1796 cm <sup>3</sup>

Piston Kit Part No.	Bore size (mm)	Ring Set Part No.	Piston Kit Part No.	Bore size (mm)	Ring Set Part No.	Piston Kit Part No.	Bore size (mm)	Ring Set Part No.	Piston Kit Part No.	Bore size (mm)	Ring Set Part No.
K9118D050*	75.00	750XDS	K9185D080	77.80	778XDS	K9418D550	82.50	825XSY	K9419D550	82.50	825XSY
K9118D120	75.70	<sup>1</sup> 760XSY	K9185D100	78.00	780XDS						
			K9185D200	79.00	790XDS						
			K9185D300	80.00	800XDS						

Stroke	72 mm	84 mm	84 mm	84 mm
Wössner Comp. ratio	12.5:1	11,5:1	11.5:1	11.5:1
OE Comp. ratio	9.8:1	10.25:1	10.2:1	10.2:1
Dome Volume (CC)	-	+23.1 cm <sup>3</sup>	-	-
Comp. Height (mm)	35 mm	39 mm	41 mm	33.5 mm
Valves per Cylinder	2	2	4	4
Cylinder No.	4	4	4	4
Piston weight in grams	252 gr.	314 gr.	339 gr.	303 gr.
Clip Part No.	CW20	CW21	CW21	CW21
Pin Part No.	WP038	WP051	WP034	WP034
Rod length	133	136.5	136.5	144
Price-Code	A *D050 = A2	A	A	A
Top End Gasket Kit	-	-	-	-
Wössner connect. rods	-	-	-	-

# Renault®



Model	R5 Alpine	R5 Turbo 1 / Turbo 2	R5 Alpine Turbo	R5 GT / Super 5 GT / R11
Years	-	-	-	-
Engine typ	840-25	8400	C6J726	C1J760 / C1J782
Displ. (cc)	1397 cm <sup>3</sup>	1397 cm <sup>3</sup>	1397 cm <sup>3</sup>	1397 cm <sup>3</sup>

Piston Kit Part No.	Bore size (mm)	Ring Set Part No.	Piston Kit Part No.	Bore size (mm)	Ring Set Part No.	Piston Kit Part No.	Bore size (mm)	Ring Set Part No.	Piston Kit Part No.	Bore size (mm)	Ring Set Part No.
K9117DA	76.00	760XDS	K9116DA	76.00	760XTZ	K9040DA	76.00	760XTZ	K9186DA	76.00	760XTZ
K9117D060	76.60	766XTZ	K9116D100	77.00	770XTZ	K9040D100	77.00	770XTZ	K9186D060	76.60	766XTZ
K9117D100	77.00	770XDS	K9116D200	78.00	780XTZ				K9186D100	77.00	770XTZ
K9117D400*	80.00	800XDS							K9186D200	78.00	780XTZ

Stroke	77 mm	77 mm	77 mm	77 mm
Wössner Comp. ratio	11.0:1	7.0:1	7.5:1	8.0:1
OE Comp. ratio	10.0:1	7.0:1	8.6:1	8.0:1
Dome Volume (CC)	+6.6 cm <sup>3</sup>	+6 cm <sup>3</sup>	+10.1 cm <sup>3</sup>	+1.8 cm <sup>3</sup>
Comp. Height (mm)	37.8 mm	35.6 mm	36.1 mm	37.5 mm
Valves per Cylinder	2	2	2	2
Cylinder No.	4	4	4	4
Piston weight in grams	286 gr.	302 gr.	308 gr.	306 gr.
Clip Part No.	CW20	CW20	CW20	CW20
Pin Part No.	WP052	WP052	WP061	WP052
Rod length	128	128	128	128
Price-Code	A *D400 = A2	A	A	A
Top End Gasket Kit	-	-	-	-
Wössner connect. rods	KPL022	KPL022	KPL022	KPL022



# Renault®



Model	Clio 1.6Ltr. 16S	Clio / R19 1.8Ltr. 16S	Clio / R19 1.8Ltr. 16S Turbo
Years	-	-	-
Engine typ	K4M	F7P	F7P
Displ. (cc)	1598 cm <sup>3</sup>	1764 cm <sup>3</sup>	1764 cm <sup>3</sup>

Piston Kit Part No.	Bore size (mm)	Ring Set Part No.	Piston Kit Part No.	Bore size (mm)	Ring Set Part No.	Piston Kit Part No.	Bore size (mm)	Ring Set Part No.
K9211DA	79.50	795XDS	K9104DA	82.00	820XSY	K9200DA*	82.00	820XTY
K9211D050	80.00	800XDS	K9104D050	82.50	825XSY	K9200D050	82.50	825XTY
			K9104D100	83.00	830XSY	K9200D100	83.00	830XTY

Stroke	80.5 mm	83.5 mm	83.5 mm
Wössner Comp. ratio	12.7:1	12.0:1	8.0:1
OE Comp. ratio	10:1	10.0:1	10.0:1
Dome Volume (CC)	+7.1 cm <sup>3</sup>	-	-
Comp. Height (mm)	31.7 mm	35.5 mm	35.5 mm
Valves per Cylinder	4	4	4
Cylinder No.	4	4	4
Piston weight in grams	276 gr.	296 gr.	302 gr.
Clip Part No.	CW18	CW21	CW21
Pin Part No.	WP054	WP034	WP092
Rod length	128	144	144
Price-Code	A	A	A *DA = A2
Top End Gasket Kit	-	see gasket list 108 - 142	see gasket list 108 - 142
Wössner connect. rods	-	KPL021	KPL021

# Renault®



Model	Clio RS Turbo / 172 / 182	Clio RS Maxi / 172 / 182 (use with racing rods)	Clio RS	Clio RS16
Years	2000-06	2000-06	2000-06	2000-06
Engine typ	F4R-730	F4R-730	F4R-730	F4R-730
Displ. (cc)	1998 cm <sup>3</sup>	1998 cm <sup>3</sup>	1998 cm <sup>3</sup>	1998 cm <sup>3</sup>

Piston Kit Part No.	Bore size (mm)	Ring Set Part No.	Piston Kit Part No.	Bore size (mm)	Ring Set Part No.	Piston Kit Part No.	Bore size (mm)	Ring Set Part No.	Piston Kit Part No.	Bore size (mm)	Ring Set Part No.
K9136DA	82.71	827XTY	K9230DA	82.71	827XSY	K9045DA	82.71	827XSY	K9417DA	82.71	827XSY
K9136D030	83.00	830XTY				K9045D030	83.00	830XSY	K9417D030	83.00	830XSY
K9136D080	83.50	835XTY				K9045D080	83.50	835XSY	K9417D080	83.50	835XSY
K9136D130	84.00	840XTY				K9045D130	84.00	840XSY	K9417D130	84.00	840XSY

Stroke	93 mm	93 mm	93 mm	93 mm
Wössner Comp. ratio	8.5:1	13.3:1	12.8:1	11.8:1
OE Comp. ratio	11.0:1	11.0:1	11.0:1	11:1
Dome Volume (CC)	-	+7.3 cm <sup>3</sup>	+5.3 cm <sup>3</sup>	+3.35 cm <sup>3</sup>
Comp. Height (mm)	30.2 mm	30.2 mm	30.2 mm	30.2 mm
Valves per Cylinder	4	4	4	4
Cylinder No.	4	4	4	4
Piston weight in grams	280 gr.	294 gr.	270 gr.	283 gr.
Clip Part No.	CW21	CW21	CW21	CW21
Pin Part No.	WP092	WP013	WP051	WP051
Rod length	144	144	144	144
Price-Code	A	A	A	A
Top End Gasket Kit	see gasket list 108 - 142	see gasket list 108 - 142	see gasket list 108 - 142	see gasket list 108 - 142
Wössner connect. rods	KPL021	KPL021	KPL021	KPL021

# Renault®



<sup>1</sup> Rings need to be shortened / Ringe müssen gekürzt werden

Model	Clio RS / R3 (use with racing rods)	Megane RS 1+2 Turbo	R21 2.0Ltr. Turbo
Years	2007-08	-	-
Engine typ	F4R-830	F4R-776/874	J7R752
Displ. (cc)	1998 cm <sup>3</sup>	1998 cm <sup>3</sup>	1998 cm <sup>3</sup>

Piston Kit Part No.	Bore size (mm)	Ring Set Part No.	Piston Kit Part No.	Bore size (mm)	Ring Set Part No.	Piston Kit Part No.	Bore size (mm)	Ring Set Part No.
K9288DA	82.71	827XSY	K9475DA	82.70	827XTY	K9090DA	88.00	880XTY
K9288D030	83.00	830XSY	K9475D030	83.00	830XTY	K9090D050	88.50	885XTY
K9288D130*	84.00	840XSY	K9475D080	83.50	835XTY			
			K9475D130	84.00	840XTY			

Stroke	93 mm	93 mm	82 mm
Wössner Comp. ratio	12.7:1	9:1	8.0:1
OE Comp. ratio	11.0:1	9:1	8.0:1
Dome Volume (CC)	+7.45 cm <sup>3</sup>	-11.4 cm <sup>3</sup>	-
Comp. Height (mm)	30.2 mm	30.2 mm	40.5 mm
Valves per Cylinder	4	4	4
Cylinder No.	4	4	4
Piston weight in grams	282 gr.	290 gr.	441 gr.
Clip Part No.	CW21	CW21	CW24
Pin Part No.	WP013	WP092	WP022
Rod length	144	-	137
Price-Code	A *D130 = A2	A	A
Top End Gasket Kit	see gasket list 108 - 142	see gasket list 108 - 142	-
Wössner connect. rods	KPL021	KPL021	-

# Renault®



Model	Clio / Megane 2.0Ltr. S16 Williams / 2.0Ltr. S16	Clio / Megane 2.0Ltr. S16 Williams Gr.A / 2.0Ltr. S16 Gr.A	Clio / Megane 2.0Ltr. S16 Williams Turbo 2.0Ltr. S16 Turbo	Clio / Megane Maxi
Years	-	-	-	-
Engine typ	F7R	F7R	F7R	F7RR
Displ. (cc)	1998 cm <sup>3</sup>	1998 cm <sup>3</sup>	1998 cm <sup>3</sup>	1994 cm <sup>3</sup>

Piston Kit Part No.	Bore size (mm)	Ring Set Part No.	Piston Kit Part No.	Bore size (mm)	Ring Set Part No.	Piston Kit Part No.	Bore size (mm)	Ring Set Part No.	Piston Kit Part No.	Bore size (mm)	Ring Set Part No.
K9034DA	82.70	827XSY	K9037DA	82.70	827XSY	K9133DA	82.70	827XTY	K9187DA	84.00	840XSY
K9034D030	83.00	830XSY	K9037D030	83.00	830XSY	K9133D030	83.00	830XTY			
K9034D080	83.50	835XSY	K9037D080*	83.50	835XSY	K9133D130	84.00	840XTY			
K9034D130	84.00	840XSY	K9037D130	84.00	840XSY						

Stroke	93 mm	93 mm	93 mm	90 mm
Wössner Comp. ratio	11.2:1	12.5:1	8.5:1	12.7:1
OE Comp. ratio	10.0:1	10.0:1	10.0:1	10.0:1
Dome Volume (CC)	+4.35 cm <sup>3</sup>	+9 cm <sup>3</sup>	-13.4 cm <sup>3</sup>	+12.6 cm <sup>3</sup>
Comp. Height (mm)	30.7 mm	30.7 mm	30.7 mm	24.9 mm
Valves per Cylinder	4	4	4	4
Cylinder No.	4	4	4	4
Piston weight in grams	294 gr.	293 gr.	288 gr.	276 gr.
Clip Part No.	CW21	CW21	CW21	CW18
Pin Part No.	WP034	WP034	WP092	WP054
Rod length	144	144	144	150
Price-Code	A	A *D080 = A2	A	A
Top End Gasket Kit	see gasket list 108 - 142	see gasket list 108 - 142	see gasket list 108 - 142	see gasket list 108 - 142
Wössner connect. rods	KPL021	KPL021	KPL021	-

# Rover®



Model	Metro / 100 / 200 / 25 / 400 / 45 / Streetwise 1.4Ltr. 16V	200 / 25 / 45 / Streetwise / 75 1.8Ltr. 16V	220 / 420 / 620 / 820 2.0Ltr. 16V Turbo
Years	-	-	-
Engine typ	14K4F	18K4F	T16
Displ. (cc)	1395 cm <sup>3</sup>	1796 cm <sup>3</sup>	1994 cm <sup>3</sup>

Piston Kit Part No.	Bore size (mm)	Ring Set Part No.	Piston Kit Part No.	Bore size (mm)	Ring Set Part No.	Piston Kit Part No.	Bore size (mm)	Ring Set Part No.
K9221DA	75.00	750XDS	K9222DA	80.00	800XDS	K9231DA	84.50	845XTY
			K9222D050	80.50	805XDS	K9231D050	85.00	850XTY
			K9222D100	81.00	810XSY	K9231D100	85.50	855XTY
						K9231D150	86.00	860XTY

Stroke	79 mm	89.3 mm	89 mm
Wössner Comp. ratio	12.5:1	12.0:1	8.0:1
OE Comp. ratio	10.3:1	10.5:1	8.5:1
Dome Volume (CC)	+10.7 cm <sup>3</sup>	+1.2 cm <sup>3</sup>	-
Comp. Height (mm)	22.5 mm	23.8 mm	31.3 mm
Valves per Cylinder	4	4	4
Cylinder No.	4	4	4
Piston weight in grams	218 gr.	253 gr.	326 gr.
Clip Part No.	CW18	CW18	CW21
Pin Part No.	WP031	WP099	WP092
Rod length	139.4	133.1	160
Price-Code	A *D050/D100 = A2	A	A
Top End Gasket Kit	-	see gasket list 108 - 142	-
Wössner connect. rods	-	-	-

# Saab®



<b>Model</b>	900 / 9 2.0Ltr.16V Turbo	9-5 2.3Ltr. 16V Turbo	9000 2.3Ltr.16V Turbo
<b>Years</b>	2000-2003	-	-
<b>Engine typ</b>	B205E, F	B235E	B234E,L,R
<b>Displ. (cc)</b>	1985 cm <sup>3</sup>	2290 cm <sup>3</sup>	2290 cm <sup>3</sup>

Piston Kit Part No.	Bore size (mm)	Ring Set Part No.	Piston Kit Part No.	Bore size (mm)	Ring Set Part No.	Piston Kit Part No.	Bore size (mm)	Ring Set Part No.
K9120DA	90.00	900XTY	K9119DA	90.00	900XTY	K9214DA	90.00	900XTY
K9120D050	90.50	905XTY	K9119D050	90.50	905XTY	K9214D050	90.50	905XTY
K9120D100	91.00	910XTY	K9119D100	91.00	910XTY	K9214D100	91.00	910XTY

<b>Stroke</b>	78 mm	90 mm	90 mm
<b>Wössner Comp. ratio</b>	9.25:1	9.25:1	8.5:1
<b>OE Comp. ratio</b>	9.25:1	9.25:1	9.25:1
<b>Dome Volume (CC)</b>	-	-	-24.85 cm <sup>3</sup>
<b>Comp. Height (mm)</b>	32.2 mm	32,9 mm	40.3 mm
<b>Valves per Cylinder</b>	4	4	4
<b>Cylinder No.</b>	4	4	4
<b>Piston weight in grams</b>	380 gr.	370 gr.	426 gr.
<b>Clip Part No.</b>	CW24	CW24	CW24
<b>Pin Part No.</b>	WP022	WP022	WP022
<b>Rod length</b>	159	153	147
<b>Price-Code</b>	A	A	A
<b>Top End Gasket Kit</b>	-	-	-
<b>Wössner connect. rods</b>	KPL052	KPL053	-

Seat®



Model	Cordoba / Ibiza 2.0Ltr. 8V (115 PS)	Cordoba / Ibiza 2.0Ltr. 16V (150PS)	Cordoba / Ibiza 2.0Ltr. 16V Turbo (150PS)
Years	-	-	-
Engine typ	2E	ABF	ABF
Displ. (cc)	1983 cm <sup>3</sup>	1983 cm <sup>3</sup>	1983 cm <sup>3</sup>

Piston Kit Part No.	Bore size (mm)	Ring Set Part No.	Piston Kit Part No.	Bore size (mm)	Ring Set Part No.	Piston Kit Part No.	Bore size (mm)	Ring Set Part No.
K9054DA	82.50	825XSY	K9032DA	82.50	825XSY	K9204DA	82.50	825XTY
K9054D020	82.70	827XSY	K9032D020	82.70	827XSY	K9204D050	83.00	830XTY
K9054D050	83.00	830XSY	K9032D050	83.00	830XSY	K9204D100	83.50	835XTY
K9054D100	83.50	835XSY	K9032D100	83.50	835XSY			
K9054D150*	84.00	840XSY	K9032D150	84.00	840XSY			

Stroke	92.8 mm	92.8 mm	92.8 mm
Wössner Comp. ratio	12.3:1	13:1	9.0:1
OE Comp. ratio	10.5:1	10.5:1	10.4:1
Dome Volume (CC)	-6.6 cm <sup>3</sup>	+9.8 cm <sup>3</sup>	-10.6 cm <sup>3</sup>
Comp. Height (mm)	30.9 mm	31.6 mm	31.6 mm
Valves per Cylinder	2	4	4
Cylinder No.	4	4	4
Piston weight in grams	290 gr.	310 gr.	297 gr.
Clip Part No.	CW21	CW21	CW21
Pin Part No.	WP034	WP034	WP092
Rod length	159	159	159
Price-Code	A *D150 = A2	A	A
Top End Gasket Kit	see gasket list 108 - 142	see gasket list 108 - 142	see gasket list 108 - 142
Wössner connect. rods	KPL016	KPL016	KPL016

Seat®



<b>Model</b>	Leon / Alhambra 2.8Ltr. V6 24V Turbo	Leon / Toledo 1.8Ltr. 20V Turbo (180PS)	Leon 2.0Ltr. 16V T FSI Turbo
<b>Years</b>	-	-	-
<b>Engine typ</b>	AUE / AYL	APP / ARY / AUQ	M1
<b>Displ. (cc)</b>	2792 cm <sup>3</sup>	1781 cm <sup>3</sup>	1984 cm <sup>3</sup>

Piston Kit Part No.	Bore size (mm)	Ring Set Part No.	Piston Kit Part No.	Bore size (mm)	Ring Set Part No.	Piston Kit Part No.	Bore size (mm)	Ring Set Part No.
K9097DA-6	81.00	810XTY	K9145DA	81.00	810XTY	K9213DA	82.50	825XTY
K9097D100-6	82.00	820XTY	K9145D100	82.00	820XTY	K9213D050	83.00	830XTY
K9097D150-6	82.50	825XTY	K9145D150	82.50	825XTY	K9213D100	83.50	835XTY
K9097D200-6	83.00	830XTY						

<b>Stroke</b>	90.3 mm	86.4 mm	92.8 mm
<b>Wössner Comp. ratio</b>	8.5:1	9.5:1	9.2:1
<b>OE Comp. ratio</b>	10.75:1	9.5:1	10.5:1
<b>Dome Volume (CC)</b>	+2.45 cm <sup>3</sup>	-6.3 cm <sup>3</sup>	-6.7 cm <sup>3</sup>
<b>Comp. Height (mm)</b>	35.10 mm	32.7 mm	29.5 mm
<b>Valves per Cylinder</b>	4	5	4
<b>Cylinder No.</b>	6	4	4
<b>Piston weight in grams</b>	336 gr.	301 gr.	334 gr.
<b>Clip Part No.</b>	CW20	CW19	CW20
<b>Pin Part No.</b>	WP061	WP026	WP061
<b>Rod length</b>	164	144	144
<b>Price-Code</b>	G2	A	A
<b>Top End Gasket Kit</b>	-	-	see gasket list 108 - 142
<b>Wössner connect. rods</b>	-	-	KPL018



# Subaru®



Model	Impreza (22B) / Legacy Turbo	Impreza RS / Forester / Legacy	Impreza WRX Version 1.2.3.4	Impreza WRX Version 1, 2, 3, 4
Years	1991-94	1997-2004	1992-98	1992-98
Engine typ	EJ22	EJ25 SOHC	EJ20	EJ20
Displ. (cc)	2217 cm <sup>3</sup>	2455 cm <sup>3</sup>	1993 cm <sup>3</sup>	1993 cm <sup>3</sup>

Piston Kit Part No.	Bore size (mm)	Ring Set Part No.	Piston Kit Part No.	Bore size (mm)	Ring Set Part No.	Piston Kit Part No.	Bore size (mm)	Ring Set Part No.	Piston Kit Part No.	Bore size (mm)	Ring Set Part No.
K9132D050	97.50	975XTY	K9051DA	99.50	995XTY-3	K9129DA	92.00	920XTY-3	K9432DA	92.00	920XTY-3
K9132D100	98.00	980XTY	K9051D100	100.50	1005XTY-3	K9129D050	92.50	925XTY-3	K9432D050	92.50	925XTY-3
						K9129D100	93.00	930XTY-3	K9432D100	93.00	930XTY-3

Stroke	75 mm	79 mm	75 mm	75 mm
Wössner Comp. ratio	8.0:1	8.0:1	8.0:1	9.0:1
OE Comp. ratio	8.0:1	10.0:1	8.3:1	8.3:1
Dome Volume (CC)	-	-28.65 cm <sup>3</sup>	-16.8 cm <sup>3</sup>	-8.7 cm <sup>3</sup>
Comp. Height (mm)	33.25 mm	29.5 mm	33.4 mm	33.4 mm
Valves per Cylinder	4	4	4	4
Cylinder No.	4	4	4	4
Piston weight in grams	410 gr.	384 gr.	338 gr.	338 gr.
Clip Part No.	CA23	CA23	CA23	CA23
Pin Part No.	WP094	WP024	WP094	WP094
Rod length	130.5	131.6	130.5	130.5
Price-Code	A	A	A	A
Top End Gasket Kit	see gasket list 108 - 142	see gasket list 108 - 142	see gasket list 108 - 142	see gasket list 108 - 142
Wössner connect. rods	KPL024	-	KPL024	KPL024

# Subaru®



Model	Impreza WRX Version 1.2.3.4 Stroker Kit	Impreza WRX Version 5.6	Impreza WRX Version 5, 6	Impreza WRX Version 5, 6 Stroker Kit
Years	1992-98	1998-2000	1998-2000	1998-2000
Engine typ	EJ20	EJ20 / EJ205	EJ20 / EJ205	EJ20 / EJ205
Displ. (cc)	2124 cm <sup>3</sup>	1993 cm <sup>3</sup>	1993 cm <sup>3</sup>	2124 cm <sup>3</sup>

Piston Kit Part No.	Bore size (mm)	Ring Set Part No.	Piston Kit Part No.	Bore size (mm)	Ring Set Part No.	Piston Kit Part No.	Bore size (mm)	Ring Set Part No.	Piston Kit Part No.	Bore size (mm)	Ring Set Part No.
K9248D050	92.50	925XTY-3	K9130DA	92.00	920XTY-3	K9403DA	92.00	920XTY-3	K9249D050	92.50	925XTY-3
			K9130D050	92.50	925XTY-3	K9403D050	92.50	925XTY-3			
			K9130D100	93.00	930XTY-3	K9403D100	93.00	930XTY-3			

Stroke	79 mm	75 mm	75 mm	79 mm
Wössner Comp. ratio	8.0:1	8:1	9:1	8.0:1
OE Comp. ratio	8.3:1	8.35:1	8.35:1	8.35:1
Dome Volume (CC)	-27.3 cm <sup>3</sup>	-8.7 cm <sup>3</sup>	+0.3 cm <sup>3</sup>	-19.2 cm <sup>3</sup>
Comp. Height (mm)	31.4 mm	32.7 mm	32.7 mm	30.7 mm
Valves per Cylinder	4	4	4	4
Cylinder No.	4	4	4	4
Piston weight in grams	338 gr.	354 gr.	354 gr.	358 gr.
Clip Part No.	CA23	CA23	CA23	CA23
Pin Part No.	WP094	WP094	WP094	WP094
Rod length	130.5	130.5	130.5	130.5
Price-Code	A	A	A	A
Top End Gasket Kit	see gasket list 108 - 142	see gasket list 108 - 142	see gasket list 108 - 142	see gasket list 108 - 142
Wössner connect. rods	KPL024	KPL024	KPL024	KPL024

# Subaru®



Model	Impreza WRX STI Version 7-8	Impreza WRX STI Version 7, 8 Stroker Kit	Impreza WRX STI Version 9	Impreza WRX STI Version 9
Years	2000-03	2000-03	2003 up	2003 up
Engine typ	EJ205	EJ205	EJ205	EJ205
Displ. (cc)	1993 cm <sup>3</sup>	2124 cm <sup>3</sup>	1993 cm <sup>3</sup>	1993 cm <sup>3</sup>

Piston Kit Part No.	Bore size (mm)	Ring Set Part No.	Piston Kit Part No.	Bore size (mm)	Ring Set Part No.	Piston Kit Part No.	Bore size (mm)	Ring Set Part No.	Piston Kit Part No.	Bore size (mm)	Ring Set Part No.
K9050DA	92.00	920XTY-3	K9250D050	92.50	925XTY-3	K9223DA	92.00	920XTY-3	K9457DA	92.00	920XTY-3
K9050D050	92.50	925XTY-3				K9223D050	92.50	925XTY-3	K9457D050	92.50	925XTY-3
K9050D100	93.00	930XTY-3				K9223D100	93.00	930XTY-3	K9457D100	93.00	930XTY-3

Stroke	75 mm	79 mm	75 mm	75 mm
Wössner Comp. ratio	9.0:1	8.0:1	8.0:1	9.0:1
OE Comp. ratio	8.0:1	8.0:1	8.0:1	8.0:1
Dome Volume (CC)	-0.2 cm <sup>3</sup>	-13.7 cm <sup>3</sup>	-6.4 cm <sup>3</sup>	+2.5 cm <sup>3</sup>
Comp. Height (mm)	31.4 mm	29.4 mm	31.5 mm	31.5 mm
Valves per Cylinder	4	4	4	4
Cylinder No.	4	4	4	4
Piston weight in grams	354 gr.	340 gr.	360 gr.	360 gr.
Clip Part No.	CA23	CA23	CA23	CA23
Pin Part No.	WP094	WP094	WP094	WP094
Rod length	130.5	130.5	130.5	130.5
Price-Code	A	A	A	A
Top End Gasket Kit	-	-	-	-
Wössner connect. rods	KPL024	KPL024	KPL024	KPL024

# Subaru®



Model	Impreza WRX STI	Impreza WRX STI	U.S. Impreza WRX STI Stroker Kit
Years	2004-08	2004-08	2004-06
Engine typ	EJ257	EJ257	EJ257
Displ. (cc)	2455 cm <sup>3</sup>	2455 cm <sup>3</sup>	2482 cm <sup>3</sup>

Piston Kit Part No.	Bore size (mm)	Ring Set Part No.	Piston Kit Part No.	Bore size (mm)	Ring Set Part No.	Piston Kit Part No.	Bore size (mm)	Ring Set Part No.
K9467DA	99.50	995XTY-3	K9131DA	99.50	995XTY-3	K9263D050	100.00	1000XTY-3
K9467D050	100.00	1000XTY-3	K9131D050	100.00	1000XTY-3			
K9467D100	100.50	1005XTY-3	K9131D100	100.50				

Stroke	79 mm	79 mm	79 mm
Wössner Comp. ratio	8:1	9.0:1	8.0:1
OE Comp. ratio	8.2:1	8.2:1	8.2:1
Dome Volume (CC)	-25.3 cm <sup>3</sup>	-14.3 cm <sup>3</sup>	-30.6 cm <sup>3</sup>
Comp. Height (mm)	30.7 mm	30.7 mm	31 mm
Valves per Cylinder	4	4	4
Cylinder No.	4	4	4
Piston weight in grams	413 gr.	403 gr.	389 gr.
Clip Part No.	CA23	CA23	CA23
Pin Part No.	WP024	WP024	WP024
Rod length	130.5	130.5	130.5
Price-Code	A	A	A2
Top End Gasket Kit	see gasket list 108 - 142	see gasket list 108 - 142	see gasket list 108 - 142
Wössner connect. rods	KPL024	KPL024	KPL024

# Toyota®



<b>Model</b>	Celica / MR2 1.6Ltr. 16V	Celica / MR2 1.6Ltr. 16V
<b>Years</b>	1988-92	1988-92
<b>Engine typ</b>	4AGE	4AGE
<b>Displ. (cc)</b>	1586 cm <sup>3</sup>	1586 cm <sup>3</sup>

Piston Kit Part No.	Bore size (mm)	Ring Set Part No.	Piston Kit Part No.	Bore size (mm)	Ring Set Part No.
K9035DA	81.00	810XSY	K9191D100	82.00	820XSY
K9035D050	81.50	815XSY			
K9035D100	82.00	820XSY			

<b>Stroke</b>	77 mm	77 mm
<b>Wössner Comp. ratio</b>	11.8:1	11.8:1
<b>OE Comp. ratio</b>	10.0:1	10.0:1
<b>Dome Volume (CC)</b>	-	-
<b>Comp. Height (mm)</b>	30.6 mm	30.6 mm
<b>Valves per Cylinder</b>	4	4
<b>Cylinder No.</b>	4	4
<b>Piston weight in grams</b>	274 gr.	280 gr.
<b>Clip Part No.</b>	CW20	CW18
<b>Pin Part No.</b>	WP029	WP054
<b>Rod length</b>	122	122
<b>Price-Code</b>	A	A
<b>Top End Gasket Kit</b>	see gasket list 108 - 142	see gasket list 108 - 142
<b>Wössner connect. rods</b>	-	-

# Toyota®



Model	Celica / MR2 2.0Ltr. 16V	Celica / MR2 2.0Ltr. 16V Turbo	Celica / MR2 2.0Ltr. 16V Turbo	Celica / MR2 2.0Ltr. 16V Turbo
Years	1989-95	-	-	1986-95
Engine typ	3SGE	3SG	3SG	3SGTE
Displ. (cc)	1997 cm <sup>3</sup>	1997 cm <sup>3</sup>	1997 cm <sup>3</sup>	1997 cm <sup>3</sup>

Piston Kit Part No.	Bore size (mm)	Ring Set Part No.	Piston Kit Part No.	Bore size (mm)	Ring Set Part No.	Piston Kit Part No.	Bore size (mm)	Ring Set Part No.	Piston Kit Part No.	Bore size (mm)	Ring Set Part No.
K9179DA	86.00	860XSY	K9036DA	86.00	860XTY	K9433DA	86.00	860XTY	K9055DA	86.00	860XTY
K9179D050	86.50	865XSY	K9036D050	86.50	865XTY	K9433D050	86.50	865XTY	K9055D025	86.25	862XTY
K9179D100	87.00	870XSY	K9036D100	87.00	870XTY	K9433D100	87.00	870XTY	K9055D050	86.50	865XTY
									K9055D100	87.00	870XTY

Stroke	86 mm	86 mm	86 mm	86 mm
Wössner Comp. ratio	12.4:1	8.0:1	9.0:1	8.0:1
OE Comp. ratio	10.5:1	9.0:1	9.0:1	8.5:1
Dome Volume (CC)	+10.4 cm <sup>3</sup>	-8.22 cm <sup>3</sup>	+0.7 cm <sup>3</sup>	-14.8 cm <sup>3</sup>
Comp. Height (mm)	35 mm	35 mm	35 mm	35 mm
Valves per Cylinder	4	4	4	4
Cylinder No.	4	4	4	4
Piston weight in grams	366 gr.	346 gr.	346 gr.	354 gr.
Clip Part No.	CW22	CW22	CW22	CW22
Pin Part No.	WP017	WP017	WP017	WP046
Rod length	138	138	138	138
Price-Code	A	A	A	A
Top End Gasket Kit	see gasket list 108 - 142	see gasket list 108 - 142	see gasket list 108 - 142	see gasket list 108 - 142
Wössner connect. rods	KPL013	KPL013	KPL013	KPL013

# Toyota®



Model	Supra 3.0Ltr. Turbo	Supra 2.5Ltr. Twin-Turbo	Supra 3.0Ltr. Turbo	Starlet GT Turbo / Glanza S / GlanzaV
Years	1986-92	1990-07	1993-98	-
Engine typ	7MGTE	1JZ-GTE	2JZGTE	4E-FTE
Displ. (cc)	2954 cm <sup>3</sup>	2491 cm <sup>3</sup>	3030 cm <sup>3</sup>	1331 cm <sup>3</sup>

Piston Kit Part No.	Bore size (mm)	Ring Set Part No.	Piston Kit Part No.	Bore size (mm)	Ring Set Part No.	Piston Kit Part No.	Bore size (mm)	Ring Set Part No.	Piston Kit Part No.	Bore size (mm)	Ring Set Part No.
K9056D050	83.50	835XTY	K9291D050	86.50	865XTY	K9057DA	86.00	860XTY	K9072DA	74.00	740XTZ
K9056D100	84.00	840XTY	K9291D100	87.00	870XTY	K9057D050	86.50	865XTY	K9072D050	74.50	745XTZ
						K9057D100	87.00	870XTY	K9072D100	75.00	750XTZ

Stroke	91 mm	71.5 mm	86 mm	77.4 mm
Wössner Comp. ratio	8.0:1	7.85:1	8.0:1	8.0:1
OE Comp. ratio	8.4:1	8.5:1	8.5:1	8.2:1
Dome Volume (CC)	-23.3 cm <sup>3</sup>	-9.8 cm <sup>3</sup>	-	-6.2 cm <sup>3</sup>
Comp. Height (mm)	33 mm	34 mm	34 mm	30 mm
Valves per Cylinder	4	4	4	4
Cylinder No.	6	6	6	4
Piston weight in grams	320 gr.	372 gr.	362 gr.	244 gr.
Clip Part No.	CW22	CW22	CW22	CW18
Pin Part No.	WP046	WP046	WP046	WP042
Rod length	152	142	142	-
Price-Code	G	G	G	A
Top End Gasket Kit	see gasket list 108 - 142	-	see gasket list 108 - 142	-
Wössner connect. rods	-	-	KPL025	-

# Volvo®



<b>Model</b>	C30 T-5
<b>Years</b>	-
<b>Engine typ</b>	-
<b>Displ. (cc)</b>	2522 cm <sup>3</sup>

<b>Piston Kit Part No.</b>	<b>Bore size (mm)</b>	<b>Ring Set Part No.</b>
K9276DA	83.00	830XTY
K9276D050	83.50	835XTY
K9276D100	84.00	840XTY

<b>Stroke</b>	93.2 mm
<b>Wössner Comp. ratio</b>	8.5:1
<b>OE Comp. ratio</b>	9.0:1
<b>Dome Volume (CC)</b>	-
<b>Comp. Height (mm)</b>	28.40 mm
<b>Valves per Cylinder</b>	4
<b>Cylinder No.</b>	5
<b>Piston weight in grams</b>	290 gr.
<b>Clip Part No.</b>	CW21
<b>Pin Part No.</b>	WP092
<b>Rod length</b>	-
<b>Price-Code</b>	C
<b>Top End Gasket Kit</b>	-
<b>Wössner connect. rods</b>	-



<sup>3</sup> Engines and pistons are identical. Different combustion chambers produce divergent compression ratios.  
Motoren und Kolben sind identisch. Durch unterschiedliche Brennräume entstehen abweichende Verdichtungsverhältnisse



**Neu!**

Model	Polo G40	Golf TFSI 1,4Ltr. Scirocco TFSI 1,4Ltr.	Golf 1 GTI	Golf 1 / Golf 2 GTI 1.8Ltr. 8V
Years	-	-	-	-
Engine typ	PY	CAX / CAV / CVA	EG	1P / 2H / ABS / ADZ / GU / GX / HV / JV / DS / DX / DZ / EV / GZ / KT / HAT / JH / PB
Displ. (cc)	1272 cm <sup>3</sup>	1390 cm <sup>3</sup>	1588 cm <sup>3</sup>	1779 cm <sup>3</sup>

Piston Kit Part No.	Bore size (mm)	Ring Set Part No.	Piston Kit Part No.	Bore size (mm)	Ring Set Part No.	Piston Kit Part No.	Bore size (mm)	Ring Set Part No.	Piston Kit Part No.	Bore size (mm)	Ring Set Part No.
K9096DA*	75.00	750XTZ	K9481DA	76.50	765XTZ	K9180DA	79.50	795XDS	K9028DA	81.00	810XSY
K9096D050	75.50	755XTZ	K9481D050	77.00	770XTZ	K9180D025	79.75	797XDS	K9028D050	81.50	815XSY
K9096D100	76.00	760XTZ				K9180D050	80.00	800XDS	K9028D100	82.00	820XSY
K9096D150	76.50	765XTZ				K9180D100	80.50	805XDS	K9028D150	82.50	825XSY
K9096D200	77.00	770XTZ				K9180D150	81.00	810XSY	K9028D200	83.00	830XSY
									K9028D250*	83.50	835XSY

Stroke	72 mm	-	80 mm	86.4 mm
Wössner Comp. ratio	8.0:1	-	11.6:1	<sup>3</sup> 11.3:1 / 12.3:1
OE Comp. ratio	8.0:1	10:1	9.5:1	<sup>3</sup> 9.0:1 / 10.0:1
Dome Volume (CC)	-	-7.5 cm <sup>3</sup>	-	+0 cm <sup>3</sup>
Comp. Height (mm)	40 mm	29 mm	40.7 mm	32.2 mm
Valves per Cylinder	2	4	2	2
Cylinder No.	4	4	4	4
Piston weight in grams	294 gr.	-	316 gr.	288 gr.
Clip Part No.	CW20	CW19	CW22	CW20
Pin Part No.	WP052	WP037	WP017	WP052
Rod length	-	-	136	144
Price-Code	A *DA = A2	A	A	A *D250 = A2
Top End Gasket Kit	see gasket list 108 - 142	see gasket list 108 - 142	see gasket list 108 - 142	see gasket list 108 - 142
Wössner connect. rods	-	-	-	-



Model	Golf 2 GTI / Scirocco / Corrado 1.8Ltr. 16V ( 136PS )	Golf 2 GTI / Scirocco / Corrado 1.8Ltr. 16V Turbo	Golf 2 / Corrado 1.8Ltr. 8V G60	2.0Ltr. 8V G60 Turbo
Years	-	-	-	-
Engine typ	KR / PL	KR / PL	PG	PG
Displ. (cc)	1779 cm <sup>3</sup>	1779 cm <sup>3</sup>	1781 cm <sup>3</sup>	2007 cm <sup>3</sup>

Piston Kit Part No.	Bore size (mm)	Ring Set Part No.	Piston Kit Part No.	Bore size (mm)	Ring Set Part No.	Piston Kit Part No.	Bore size (mm)	Ring Set Part No.	Piston Kit Part No.	Bore size (mm)	Ring Set Part No.
K9029DA	81.00	810XSY	K9201DA	81.00	810XTY	K9106DA	81.00	810XTY	K9389D200	83.00	830XTY
K9029D050	81.50	815XSY	K9201D050	81.50	815XTY	K9106D050	81.50	815XTY			
K9029D100	82.00	820XSY	K9201D100	82.00	820XTY	K9106D100	82.00	820XTY			
K9029D150	82.50	825XSY	K9201D150	82.50	825XTY	K9106D150	82.50	825XTY			
K9029D200	83.00	830XSY	K9201D200	83.00	830XTY	K9106D200	83.00	830XTY			
K9029D300*	84.00	840XSY									

Stroke	86.4 mm	86.4 mm	86.4 mm	92.8 mm
Wössner Comp. ratio	12.7:1	8.0:1	8.0:1	9.0:1
OE Comp. ratio	10.0:1	9.3:1	8.0:1	8.0:1
Dome Volume (CC)	+11 cm <sup>3</sup>	-12.3 cm <sup>3</sup>	-16.1 cm <sup>3</sup>	-14.5 cm <sup>3</sup>
Comp. Height (mm)	33.4 mm	33.4 mm	39.5 mm	28.3 mm
Valves per Cylinder	4	4	2	2
Cylinder No.	4	4	4	4
Piston weight in grams	320 gr.	306 gr.	362 gr.	271 gr.
Clip Part No.	CW20	CW20	CW22	CW20
Pin Part No.	WP052	WP061	WP046	WP061
Rod length	144	144	136	144
Price-Code	A *D300 = A2	A	A	A2
Top End Gasket Kit	see gasket list 108 - 142	see gasket list 108 - 142	see gasket list 108 - 142	see gasket list 108 - 142
Wössner connect. rods	KPL018	KPL018	KPL038	-



Model	Golf 3 / Corrado / Passat / Vento 2.0Ltr. 8V (115 PS)	Corrado / Passat 2.0Ltr. 16V (136PS)	Corrado / Passat 2.0Ltr. 16V Turbo (136PS)	Golf 5 2.0Ltr. 16V T FSI Turbo
Years	-	-	-	-
Engine typ	2E	9A	9A	AXX / BHZ / BGB / BWE / BUL / CDNB / CDNC / BYK / BPJ
Displ. (cc)	1983 cm <sup>3</sup>	1983 cm <sup>3</sup>	1983 cm <sup>3</sup>	1983 cm <sup>3</sup>

Piston Kit Part No.	Bore size (mm)	Ring Set Part No.	Piston Kit Part No.	Bore size (mm)	Ring Set Part No.	Piston Kit Part No.	Bore size (mm)	Ring Set Part No.	Piston Kit Part No.	Bore size (mm)	Ring Set Part No.
K9054DA	82.50	825XSY	K9031DA	82.50	825XSY	K9205DA	82.50	825XTY	K9213DA	82.50	825XTY
K9054D020*	82.70	827XSY	K9031D020	82.70	827XSY	K9205D050	83.00	830XTY	K9213D050	83.00	830XTY
K9054D050	83.00	830XSY	K9031D050	83.00	830XSY	K9205D100	83.50	835XTY	K9213D100	83.50	835XTY
K9054D100	83.50	835XSY	K9031D100	83.50	835XSY						
K9054D150*	84.00	840XSY	K9031D150	84.00	840XSY						

Stroke	92.8 mm	92.8 mm	92.8 mm	92.8 mm
Wössner Comp. ratio	12.3:1	12.5:1	8.0:1	9.2:1
OE Comp. ratio	10.4:1	10.7:1	10.7:1	10.5:1
Dome Volume (CC)	-6.6 cm <sup>3</sup>	+11.2 cm <sup>3</sup>	-20.1 cm <sup>3</sup>	-6.7 cm <sup>3</sup>
Comp. Height (mm)	30.9 mm	30.2 mm	30.2 mm	29.5 mm
Valves per Cylinder	2	4	4	4
Cylinder No.	4	4	4	4
Piston weight in grams	290 gr.	319 gr.	282 gr.	334 gr.
Clip Part No.	CW21	CW20	CW20	CW20
Pin Part No.	WP034	WP052	WP061	WP061
Rod length	159	144	144	144
Price-Code	A *D020/D150 = A2	A	A	A
Top End Gasket Kit	see gasket list 108 - 142	see gasket list 108 - 142	see gasket list 108 - 142	see gasket list 108 - 142
Wössner connect. rods	KPL016	KPL018	KPL018	KPL018



Model	2.0Ltr. 20V None Turbo (Racing Version)	2.0Ltr. 20V Turbo	Golf 3 / Vento / Passat / GTI 2.0Ltr. 16V (150PS)	Golf 3 / Vento / Passat / GTI 2.0Ltr. 16V Turbo (150PS)
Years	-	-	-	-
Engine typ	AEB / AGN / ALT	AEB / AGN / ALT	ABF	ABF
Displ. (cc)	1983 cm <sup>3</sup>	1983 cm <sup>3</sup>	1983 cm <sup>3</sup>	1983 cm <sup>3</sup>

Piston Kit Part No.	Bore size (mm)	Ring Set Part No.	Piston Kit Part No.	Bore size (mm)	Ring Set Part No.	Piston Kit Part No.	Bore size (mm)	Ring Set Part No.	Piston Kit Part No.	Bore size (mm)	Ring Set Part No.
K9270DA	82.50	825XSY	K9388DA	82.50	825XTY	K9032DA	82.50	825XSY	K9204DA	82.50	825XTY
K9270D020	82.70	827XSY	K9388D020	82.70	827XTY	K9032D020	82.70	827XSY	K9204D050	83.00	830XTY
						K9032D050	83.00	830XSY	K9204D100	83.50	835XTY
						K9032D100	83.50	835XSY			
						K9032D150	84.00	840XSY			

Stroke	92.8 mm	92.8 mm	92.8 mm	92.8 mm
Wössner Comp. ratio	12.3:1	9.2:1	'13:1	9.0:1
OE Comp. ratio	8.9:1	8.9:1	10.4:1	10.4:1
Dome Volume (CC)	10.7 cm <sup>3</sup>	-10.3 cm <sup>3</sup>	'+9.8 cm <sup>3</sup>	-10.6 cm <sup>3</sup>
Comp. Height (mm)	29.50 mm	29.5 mm	31.6 mm	31.6 mm
Valves per Cylinder	5	5	4	4
Cylinder No.	4	4	4	4
Piston weight in grams	295 gr.	259 gr.	310 gr.	297 gr.
Clip Part No.	CW20	CW20	CW21	CW21
Pin Part No.	WP052	WP065	WP034	WP092
Rod length	144	144	159	159
Price-Code	A	A	A	A
Top End Gasket Kit	see gasket list 108 - 142	see gasket list 108 - 142	see gasket list 108 - 142	see gasket list 108 - 142
Wössner connect. rods	KPL018	KPL018	KPL016	KPL016



**Neu!**

<b>Model</b>	Golf 4 V6 4-Motion Turbo (204PS)	Golf 4 R32 Turbo	Golf 5 GTI 2,0 ltr. TFSI	Bora / Golf / New Beetle / Passat V5 20V Turbo (170PS)
<b>Years</b>	-	-	2006	-
<b>Engine typ</b>	AQP / BDE / AMV / AQP / AUE / AYL / BDE	BFH / BML / BJS	BYD	AQN / AZX
<b>Displ. (cc)</b>	2790 cm <sup>3</sup>	3188 cm <sup>3</sup>	1998 cm <sup>3</sup>	2325 cm <sup>3</sup>

Piston Kit Part No.	Bore size (mm)	Ring Set Part No.	Piston Kit Part No.	Bore size (mm)	Ring Set Part No.	Piston Kit Part No.	Bore size (mm)	Ring Set Part No.	Piston Kit Part No.	Bore size (mm)	Ring Set Part No.
K9097DA-6	81.00	810XTY	K9094DA	84.00	840XTY	K9479DA	82.50	825XTY	K9097DA	81.00	810XTY
			K9094D050	84.50	845XTY	K9479D050	83.00	830XTY			
			K9094D100	85.00	850XTY						

<b>Stroke</b>	90.3 mm	95.9 mm	92.8 mm	90.3 mm
<b>Wössner Comp. ratio</b>	8.5:1	9.0:1	9.8:1	8.5:1
<b>OE Comp. ratio</b>	10.75:1	11.70:1	9.8:1	10.75:1
<b>Dome Volume (CC)</b>	+2.45 cm <sup>3</sup>	-19.7 cm <sup>3</sup>	-6,2 cm <sup>3</sup>	+2.45 cm <sup>3</sup>
<b>Comp. Height (mm)</b>	35.10 mm	29.5 mm	29.6 mm	35.1 mm
<b>Valves per Cylinder</b>	4	4	4	4
<b>Cylinder No.</b>	6	6	4	5
<b>Piston weight in grams</b>	336 gr.	312 gr.	-	336 gr.
<b>Clip Part No.</b>	CW20	CW20	CW21	CW20
<b>Pin Part No.</b>	WP061	WP052	WP092	WP061
<b>Rod length</b>	164	164	-	164
<b>Price-Code</b>	G2	G	A	C2
<b>Top End Gasket Kit</b>	see gasket list 108 - 142	see gasket list 108 - 142	see gasket list 108 - 142	see gasket list 108 - 142
<b>Wössner connect. rods</b>	KPL017	KPL017	-	KPL017



Model	Passat / Beetle / Sharan 1.8Ltr. 20V Turbo	Passat / Beetle / Sharan 1.8Ltr. 20V Turbo (225PS)	Corrado / Golf / Sharan VR6 2.8Ltr. 2.9Ltr. 12V	Corrado / Golf / Sharan VR6 2.8Ltr. 2.9Ltr. 12V Turbo
Years	-	-	-	-
Engine typ	AVC / ANB / AWU / AEB	AVC / ANB / AWU / AEB	AAA / AES / AMY / ABV	AAA / AES / AMY / ABV
Displ. (cc)	1781 cm <sup>3</sup>	1779 cm <sup>3</sup>	2788 cm <sup>3</sup>	2788 cm <sup>3</sup>

Piston Kit Part No.	Bore size (mm)	Ring Set Part No.	Piston Kit Part No.	Bore size (mm)	Ring Set Part No.	Piston Kit Part No.	Bore size (mm)	Ring Set Part No.	Piston Kit Part No.	Bore size (mm)	Ring Set Part No.
K9075DA	81.00	810XTY	K9271DA	81.00	810XTY	K9053D050	81.50	815XSY	K9093DA	81.00	810XTY
K9075D050	81.50	815XTY	K9271D050	81.50	815XTY	K9053D100	82.00	820XSY	K9093D050	81.50	815XTY
K9075D100	82.00	820XTY	K9271D100	82.00	820XTY	K9053D150	82.50	825XSY	K9093D100	82.00	820XTY
K9075D150	82.50	825XTY	K9271D150	82.50	825XTY	K9053D200	83.00	830XSY	K9093D150	82.50	825XTY
						K9053D250	83.50	835XSY	K9093D200	83.00	830XTY
									K9093D250	83.50	835XTY

Stroke	86.4 mm	86.4 mm	90.22 mm	90.22 mm
Wössner Comp. ratio	8.5:1	9.5:1	11.0:1	8.0:1
OE Comp. ratio	8.9:1	8.9:1	10.0:1	10.0:1
Dome Volume (CC)	-9.7 cm <sup>3</sup>	-6 cm <sup>3</sup>	-43.6 cm <sup>3</sup>	-17.8 cm <sup>3</sup>
Comp. Height (mm)	32.7 mm	32.7 mm	37.4 mm	30.3 mm
Valves per Cylinder	5	5	2	2
Cylinder No.	4	4	6	6
Piston weight in grams	282 gr.	280 gr.	286 gr.	272 gr.
Clip Part No.	CW20	CW20	CW20	CW20
Pin Part No.	WP061	WP061	WP052	WP061
Rod length	144	144	164	164
Price-Code	A	A	G	G
Top End Gasket Kit	see gasket list 108 - 142	see gasket list 108 - 142	see gasket list 108 - 142	see gasket list 108 - 142
Wössner connect. rods	KPL018	KPL018	KPL017	KPL017

## ROD BOLTS



### ARP Rod Bolts

**What does L19 mean?**

L19 is a vacuum melted alloyed steel with sufficient chromium and carbon to achieve high hardness. L19 is air-cooled from the hardening temperature in a way that does not require an oil quench to achieve full hardness and is tempered to assure full conversion to martensite between 1025 F (551.66 C) and 1075 F (579.44 C). L19 is a proprietary material capable of achieving strengths of 220.000 / 230.000 or 260.000 / 270.000 psi as may be required.



### Replacement bolts

Part No.	Material	Thread size	Length (inch)	Price Code
ARPL19-1.5	L19	3/8	1.500"	A1
ARPL19-1.75	L19	3/8	1.750"	A1
ARPL19-5/16*1.5"	L19	5/16	1.500"	A1

## CONRODS



Description	Article Number	Big End Diameter		G / Pin Diameter
		Metric	Inches	Metric
<b>AUDI</b>				
S3 / TT 1.8Ltr. 20V Turbo	KPL018	50.60	1.992	20mm
S2 (3B)	KPL018-5	50.60	1.992	20mm
A3 / S3 2.0Ltr. T FSI*	KPL018	50.60	1.992	20mm
<b>BMW</b>				
M3 2.3Ltr. 16V Gr. A (S14)	KPL002	52.00	2.047	22mm
M3 2.5Ltr. 16V EVO Sport (S14)	KPL002	52.00	2.047	22mm
M3 3.0Ltr. 24V E36, 1992-95	KPL042	53.00	2.086	21mm
M3 3.2Ltr. 24V E36, 1995 up	KPL041	53.00	2.086	21mm
<b>CITROËN</b>				
Saxo 1.6Ltr. TU5J4	KPL020	48.66	1.915	19.46mm
Saxo 1.6Ltr. Kit Car TU5J4	KPL030	48.70	1.917	18mm
C2 VTS 1.6Ltr. 16V TU5JP4	KPL019	48.66	1.915	18mm
ZX 2.0Ltr. 16V XU10J4	KPL028	53.70	2.114	22mm
ZX, Xsara 2.0Ltr. 16V XU10J4RS	KPL029	53.70	2.114	20mm
C4 2.0Ltr. 16V VTR EW10J4RS	KPL033	48.70	1.917	21mm
<b>FERRARI</b>				
220, 250 GT, 275 GTB	KPL039	44.96	1.770	17mm
<b>Fiat</b>				
Punto, Uno 1.4Ltr. 16V Turbo 1990-97	KPL023	48.63	1.914	22mm
Ritmo, Punto, Tipo 1.6Ltr. 16V Turbo	KPL023	48.63	1.914	22mm
<b>FORD</b>				
Cosworth Escort, Sierra Turbo / Pinto 0HC	KPL027	55.00	2.165	24mm
Duratec HE 2.0Ltr. 16V CJBA	KPL040	50.00	1.968	21mm
<b>HONDA</b>				
RSX Type S, Civic Type R, 2001-05 (K20A)	KPL003	51.00	2.007	22mm
S2000 (F20C)	KPL043	51.00	2.007	23mm
<b>LANCIA</b>				
Integrale 2.0Ltr. 16V / 8V Turbo	KPL001	53.92	2.122	22mm
<b>MAZDA</b>				
Miata, MX5 1.6Ltr. 16V Turbo	KPL007	48.00	1.890	20mm
Miata, MX5 1.8Ltr. 16V Turbo	KPL007	48.00	1.890	20mm
<b>MITSUBISHI</b>				
4G63 Lancer EVO 4-9	KPL008	48.00	1.889	22mm
4B11 Lancer EVO 10	KPL045	55.00	2.165	23mm
<b>NISSAN</b>				
Skyline RB25DET / RB26DETT	KPL004	51.00	2.007	21mm
Primera, Sentra SX200 (S14) SR20DET	KPL005	51.00	2.007	22mm
Primera, Sentra SX200 (S13) CA18DET	KPL026	48.00	1.889	20mm
350Z VQ35-V4Y	KPL006	55.00	2.165	22mm
<b>OPEL</b>				
2.0Ltr. 16V C2.0 XE Turbo	KPL009	52.00	2.047	21mm
2.4Ltr. CIH	KPL011	55.00	2.165	22mm

\* The rods are just useable with Wössner pistons



# CONRODS



Between Centres		Big End Width		Small End Width		Weight in Grams	Quantity in Kit	Price Code
Metric	Inches	Metric	Inches	Metric	Inches	w/o bolts		
144.00	5.669	25.00	0.984	25.00	0.984	538	4	D
144.00	5.669	25.00	0.984	25.00	0.984	538	5	K
144.00	5.669	25.00	0.984	25.00	0.984	538	4	D
144.00	5.669	23.90	0.944	23.90	0.944	564	4	D
144.00	5.669	23.90	0.944	23.90	0.944	564	4	D
142.00	5.591	21.85	0.860	21.85	0.860	500	6	E
139.00	3.530	21.84	0.859	21.84	0.859	530	6	E
133.60	5.259	24.00	0.944	20.00	0.787	441	4	D
137.75	5.423	23.90	0.940	20.00	0.787	456	4	D
133.60	5.259	24.00	0.944	20.00	0.787	445	4	D
152.00	5.984	24.20	0.952	19.10	0.751	540	4	D
158.00	6.220	24.20	0.952	22.00	0.866	558	4	D
139.00	5.472	24.10	0.948	19.10	0.751	480	4	D
112.00	4.409	20.80	0.818	19.00	0.748	426	12	R
128.52	5.059	25.40	1.000	25.40	1.000	505	4	D
128.52	5.059	25.40	1.000	25.40	1.000	505	4	D
128.50	5.059	25.80	1.015	25.80	1.015	533	4	D
146.25	5.757	21.80	0.858	18.00	0.708	480	4	D
138.80	5.464	19.86	0.781	19.86	0.781	502	4	D
153.00	6.023	23.95	0.942	23.95	0.942	512	4	D
145.00	5.708	25.70	1.011	25.70	1.011	569	4	D
133.00	5.236	21.80	0.858	21.80	0.858	393	4	D
133.00	5.236	21.80	0.858	21.80	0.858	393	4	D
150.00	5.905	26.40	1.039	26.40	1.039	541	4	D
144.00	5.669	21.85	0.860	19.90	0.783	498	4	D
121.50	4.783	21.80	0.858	21.80	0.858	454	6	E
136.25	5.364	22.80	0.897	23.50	0.925	514	4	D
133.00	5.236	24.00	0.944	20.60	0.811	475	4	D
144.20	5.677	20.80	0.818	20.80	0.818	523	6	E
143.00	5.629	26.30	1.035	21.90	0.862	513	4	D
134.00	5.275	24.80	0.976	24.80	0.976	492	4	D

## CONRODS



Description	Article Number	Big End Diameter		G / Pin Diameter
		Metric	Inches	Metric
<b>PEUGEOT</b>				
106 XSI 8V TU5J2	KPL019	48.66	1.915	18mm
206 XS 1.6Ltr. 16V TU5JP4	KPL019	48.66	1.915	18mm
106 Kit Car TU5J4	KPL030	48.70	1.917	18mm
106 GTI S16 Gr. A TU5J4	KPL020	48.66	1.915	19.46mm
206 S16 Super 1600 TU5JP4	KPL046	48.66	1.916	18mm
309 GTI & 405 MI16 1.9Ltr. S16 XU9J4	KPL044	53.69	2.114	22mm
306 2.0Ltr. S16 XU10J4	KPL028	53.70	2.114	22mm
306-RS 2.0Ltr. S16 XU10J4RS	KPL029	53.70	2.114	20mm
405 T16 XU10J4TEX	KPL051	53.69	2.113	23mm
206 RC 2.0Ltr. S16 EW10J4RS	KPL033	48.70	1.917	21mm
<b>PORSCHE</b>				
911 2.0 / 2.2 S, E, L, T	KPL037	61.00	2.402	22mm
911 2.4 / 2.7 / 3.0 Carrera / 3.0 Turbo	KPL035	56.00	2.205	22mm
911 2.4 / 2.7 / 3.0 SC	KPL047	56.00	2.205	22mm
3.2 / 3.3 Turbo w / 23mm pin	KPL049	58.01	2.284	23mm
3.2 / 3.3 Turbo w / 22mm pin	KPL050	58.01	2.284	22mm
944 / 944 Turbo / 968, Cup, S2, S	KPL036	55.00	2.165	24mm
RSR & 964	KPL048	58.01	2.284	23mm
993 / 996 TT, 997 TT, GT2	KPL031	58.00	2.283	23mm
<b>RENAULT</b>				
Clio Williams 2.0Ltr. 16V F7R	KPL021	51.59	2.031	21mm
Clio RS 2.0Ltr. 16V F4R	KPL021	51.59	2.031	21mm
R5 Turbo 840-30	KPL022	47.614	1.875	20mm
R5 Alpine Turbo C6J726	KPL022	47.614	1.875	20mm
R5 GT Turbo C1J760/C1J782	KPL022	47.614	1.875	20mm
<b>SEAT</b>				
2.0Ltr. 16V Turbo 9A/M1	KPL018	50.60	1.992	20mm
2.0Ltr. 16V Turbo ABF	KPL016	50.60	1.992	21mm
2.8Ltr. 24V V6 Turbo AUE	KPL017	56.80	2.236	20mm
<b>SUBARU</b>				
Impreza (22B) EJ22	KPL024	55.00	2.165	23mm
Impreza Version 1, 2, 3, 4 1992-98 EJ20	KPL024	55.00	2.165	23mm
Impreza Version 5, 6 1998-2000 EJ20	KPL024	55.00	2.165	23mm
Impreza WRX STI Version 7, 8 2000-03 EJ205	KPL024	55.00	2.165	23mm
Impreza WRX STI Version 9 2003 up EJ205	KPL024	55.00	2.165	23mm
<b>TOYOTA</b>				
Celica, MR2 2.0Ltr. 16V 3SGE	KPL013	51.00	2.007	22mm
Celica, MR2 2.0Ltr. 16V Turbo 3SGTE / 3SG	KPL013	51.00	2.007	22mm
Supra Turbo 3.0Ltr. Turbo 2JZGTE	KPL025	55.00	2.165	22mm
<b>VOLKSWAGEN</b>				
1.8Ltr. 16V Turbo KR, PL	KPL018	50.60	1.992	20mm
1.8Ltr. 20V Turbo	KPL018	50.60	1.992	20mm
2.0Ltr. 16V Turbo 9A	KPL018	50.60	1.992	20mm
1.8Ltr. 8V G60 PG	KPL038	50.60	1.992	22mm
2.0Ltr. 16V Turbo ABF	KPL016	50.60	1.992	21mm
2.0Ltr. 8V 2E	KPL016	50.60	1.992	21mm
VR6 2.8Ltr. / 2.9Ltr. 12V Turbo	KPL017	56.80	2.236	20mm
3.2Ltr. 24V R32 Turbo	KPL017	56.80	2.236	20mm
2.8Ltr. 24V V6 4-Motion Turbo	KPL017	56.80	2.236	20mm

\* The rods are just useable with Wössner pistons

# CONRODS



Between Centres		Big End Width		Small End Width		Weight in Grams	Quantity in Kit	Price Code
Metric	Inches	Metric	Inches	Metric	Inches	w/o bolts		
133.60	5.259	24.00	0.944	20.00	0.787	445	4	D
133.60	5.259	24.00	0.944	20.00	0.787	445	4	D
137.75	5.423	23.90	0.940	20.00	0.787	456	4	D
133.60	5.259	24.00	0.944	20.00	0.787	441	4	D
139.00	5.472	23.95	0.943	20.00	0.787	433	4	D
143.00	5.630	22.45	0.884	22.45	0.884	484	4	D
152.00	5.984	24.20	0.952	19.10	0.751	540	4	D
158.00	6.220	24.20	0.952	22.00	0.866	558	4	D
151.75	5.974	26.10	1.027	19.15	0.753	526	4	D
139.00	5.472	24.10	0.948	19.10	0.751	470	4	D
130.00	5.118	21.69	0.854	25.40	1.000	496	6	E
127.75	5.030	25.90	1.020	23.77	0.936	499	6	E
127.75	5.030	23.90	0.94	23.77	0.857	487	6	E
127.00	5.000	21.74	0.856	25.40	1.000	499	6	E
127.00	5.000	21.74	0.856	25.40	1.000	500	6	E
150.00	5.905	28.80	1.133	26.30	1.035	662	4	D
127.00	5.000	21.74	0.856	19.51	0.059	488	6	E
127.00	5.000	18.90	0.744	19.51	0.059	462	6	E
144.00	5.669	25.00	0.984	22.00	0.866	499	4	D
144.00	5.669	25.00	0.984	22.00	0.866	499	4	D
128.00	5.039	21.80	0.858	21.80	0.858	451	4	D
128.00	5.039	21.80	0.858	21.80	0.858	451	4	D
128.00	5.039	21.80	0.858	21.80	0.858	451	4	D
144.00	5.669	25.00	0.984	25.00	0.984	538	4	D
159.00	6.259	24.90	0.980	20.00	0.787	564	4	D
164.00	6.456	19.90	0.783	19.90	0.783	543	6	E
130.45	5.135	21.425	0.844	21.425	0.844	454	4	D
130.45	5.135	21.425	0.844	21.425	0.844	454	4	D
130.45	5.135	21.425	0.844	21.425	0.844	454	4	D
130.45	5.135	21.425	0.844	21.425	0.844	454	4	D
130.45	5.135	21.425	0.844	21.425	0.844	454	4	D
138.00	5.433	26.75	1.053	23.50	0.925	495	4	D
138.00	5.433	26.75	1.053	23.50	0.925	495	4	D
142.00	5.590	26.00	1.023	26.00	1.023	525	6	E
144.00	5.669	25.00	0.984	25.00	0.984	538	4	D
144.00	5.669	25.00	0.984	25.00	0.984	538	4	D
144.00	5.669	25.00	0.984	25.00	0.984	538	4	D
136.00	5.354	24.96	0.982	24.96	0.982	520	4	D
159.00	6.259	24.90	0.980	20.00	0.787	564	4	D
159.00	6.259	24.90	0.980	20.00	0.787	564	4	D
164.00	6.456	19.90	0.783	19.90	0.783	543	6	E
164.00	6.456	19.90	0.783	19.90	0.783	543	6	E
164.00	6.456	19.90	0.783	19.90	0.783	543	6	E

# QUALITY ASSURANCE



Manufacturer of forged pistons

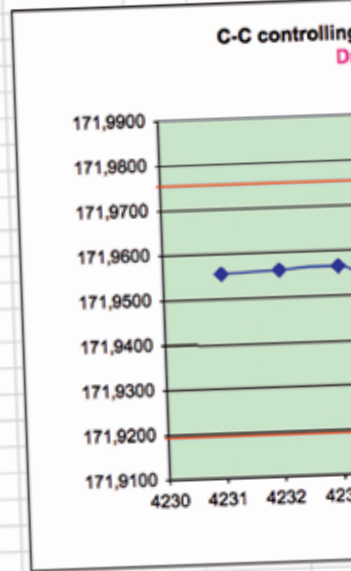
<b>Control V1</b>	Reference	171,9500
	Min	171,9200
	Max	171,9800
	<b>Tolerance zone</b>	<b>0,0600</b>

**Measurement setup**

<b>∅ B/E</b>	Reference	47,7900	
	Min	47,7900	23,895
	Max	47,8080	23,904

<b>∅ G/PIN</b>	Reference	20,0000	0,0200
	Min	20,0100	10,005
	Max	20,0300	10,015

<b>Calculation of tolerance zone</b>				<b>CB-CS</b>
Smallest deflection and biggest bore			=	138,001
171,92	23,90	10,02		
Biggest deflection and smallest bore			=	138,080
171,98	23,90	10,01		
<b>Final tolerance zone</b>				<b>0,079</b>

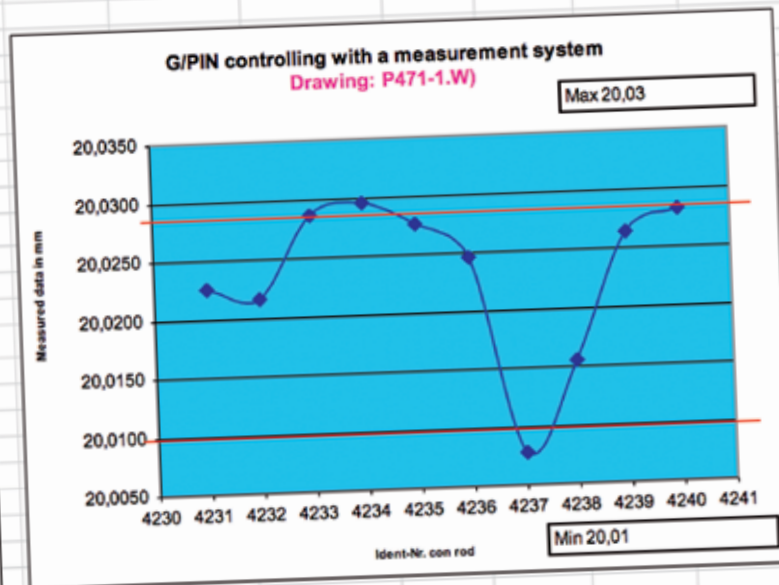
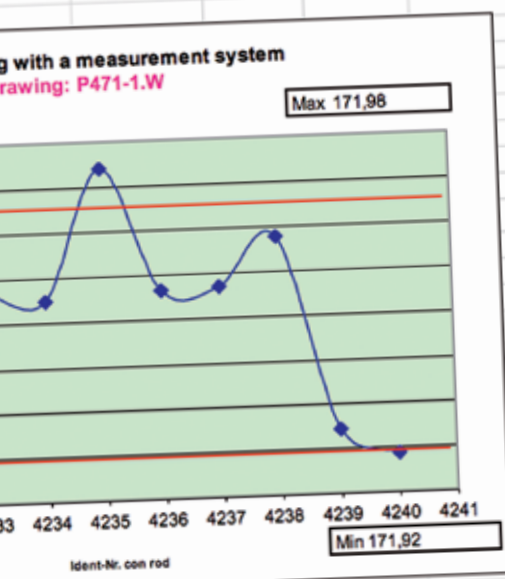


**BASIS:** ZG P471-1.W

<b>Centralization</b>	Control	
1	8	Con rod Are in the allowed tolerance field from
2	2	Con rod Are beyond the allowed tolerance field
3		The tolerance field about all con rods is
4		Average of the actual-deflection
		<b>0,060</b>
		<b>0,065</b>
		<b>171,9516</b>

WÖ-P	Ident-Nr.	Typ	ZE-P	Serial No.	gram	Weight group	C-C Actual value	Irr
			P471-1	1	486,5	1	171,9557	
40	P471-1	4231	Con rod Lancia	P471-1	2	486,2	1	171,9562
41	P471-1	4232	Con rod Lancia	P471-1	3	485,8	1	171,9567
42	P471-1	4233	Con rod Lancia	P471-1	4	486,3	1	171,9549
43	P471-1	4234	Con rod Lancia	P471-1	1	487,3	1	171,9842
44	P471-1	4235	Con rod Lancia	P471-1	2	485,4	1	171,9568
45	P471-1	4236	Con rod Lancia	P471-1	3	487,1	1	171,9572
46	P471-1	4237	Con rod Lancia	P471-1	4	484,8	1	171,9678
47	P471-1	4238	Con rod Lancia	P471-1	3	485,9	1	171,9245
48	P471-1	4239	Con rod Lancia	P471-1	4	486,4	1	171,9189
49	P471-1	4240	Con rod Lancia	P471-1				

## Quality assurance



Actual deflection	171,9516		
171,9189			
171,9842			
Zone	0,065	0,033	0,033
Control V1			
	IN	OUT	
Irregularity at min.	8	2	
Irregularity at max.	1	1	
0,0357	1		
0,0362	1		
0,0367	1		
0,0349	1		
0,0642		1	
0,0368	1		
0,0372	1		
0,0478	1		
0,0045	1		
-0,0011		1	

Centralization	ø G/PIN		0,0200	
9	Are in the allowed tolerance field from			
1	Are beyond the allowed tolerance field			
	ø G/PIN			
			IN	OUT
			9	1
Actual value G/PIN	Irregularity at min.	Irregularity at max.		
Decision				
F	20,0226	0,0126	-0,0074	1
F	20,0216	0,0116	-0,0084	1
F	20,0286	0,0186	-0,0014	1
F	20,0296	0,0196	-0,0004	1
no F	20,0276	0,0176	-0,0024	1
F	20,0246	0,0146	-0,0054	1
F	20,0078	-0,0022	-0,0222	1
F	20,0156	0,0056	-0,0144	1
F	20,0264	0,0164	-0,0036	1
no F	20,0283	0,0183	-0,0017	1

## FGM, MONALE, ITALY



Entwicklung und Produktion von geschmiedeten Aluminiumprodukten inklusive Wärmebehandlung



**Die Qualität** von geschmiedeten Hochleistungskolben hängt von der Präzision der Bearbeitung der Kolben und in starkem Masse von der Qualität des eingesetzten Materials ab. Nur durch eine kontrollierte Temperaturführung und Wärmebehandlung des Materials vor und nach dem Schmiedevorgang lässt sich ein Optimum in der Qualität des Endprodukts erzielen. Zur Wössner-Gruppe gehört seit einigen Jahren ein bedeutendes UN EN ISO 9001:2008 zertifiziertes Schmiedewerk in Italien. Die Verantwortung für die bekannte hohe Qualität der Wössner Hochleistungs-

kolben beginnt somit bereits beim Einkauf des Rohmaterials und beim Schmiedeprozess der Kolben-Rohteile. Hinzu kommt eine deutlich flexiblere Situation bei Beschaffung und Lieferung der Wössner-Produkte – Wössner ist sein eigener Lieferant.

Die Qualitätssicherung in allen Bereichen, gewährleistet schlussendlich, dass nur Produkte höchster Qualität unser Haus verlassen – gut zu wissen!

**Wössner**  
**...die treibende Kraft**



**The quality** of forged high performance pistons depends on the precision of the processing of the piston and to a great extent it depends on the excellence of the used materials. Just controlled temperature and heat treatment of the material before and after the forging process will achieve an optimum in quality of the endproduct. Since a few years an important UNI EN ISO 9001:2008 certified forging company in Italy is part of the Wössner Group. The responsibility for the well-known high quality of Wössner high performance

pistons starts therefore already with the purchase of the forgings and with the forging process. In addition to that Wössner got more flexible in purchasing and supplying Wössner products – Wössner is now their own supplier.

The quality management in all areas guarantees finally that only products of the highest quality leave our house – good to know!

**Wössner**  
**...the driving force**

## GASKETS



The Cometic MLS gasket is comprised of three layers of Stainless Steel. Cometic uses Stainless steel for increased strength and its ability to rebound and corrosion resistance. The outer layers of the gasket are embossed and coated on both sides with a fluoroelastomer rubber based material (Viton) designed to meet the demands of a variety of harsh sealing environments, load conditions and surface finishes. The Viton coating is heat resistant to 250 degree or 482 F.

The center or shim layer of the gasket is comprised of an uncoated Stainless Steel layer, which can be varied to accommodate multiple thickness requirements. The MLS gasket is ideal for both aluminium heads to cast iron blocks and aluminium heads to aluminium blocks. No re-torque is necessary. By design the MLS gasket promotes an even torque load across the sealing surface allowing for measurable reduced bore distortion.

## GASKETS



Description	Fits bore size	Long description material (inch)	Thickness (inch)	Thickness (mm)	Stock code	pricecode
<b>BMW</b>						
04-UP 4.4L V8	94MM	.027" MLS 545.645.745, X5 4.4i	.027	0.69	C4374-027	CG12
	94MM	.051" MLS 545.645.745, X5 4.4i	.051	1.30	C4374-051	CG12
M30/B25 M30/B28 1973-1981	88MM	.051" 525i.528i.728i	.051	1.30	C4475-051	CG19
	88MM	.070" MLS-5 525i.528i.728i	.070	1.78	C4475-070	CG19
	88MM	.080" MLS-5 525i.528i.728i	.080	2.03	C4475-080	CG19
MINI COOPER	78.5MM	.027" MLS HEAD GASKET	.027	0.69	C4308-027	CG7
	78.5MM	.030" MLS HEAD GASKET	.030	0.76	C4308-030	CG7
	78.5MM	.036" MLS HEAD GASKET	.036	0.91	C4308-036	CG7
	78.5MM	.040" MLS HEAD GASKET	.040	1.02	C4308-040	CG7
	78.5MM	.051" MLS HEAD GASKET	.051	1.30	C4308-051	CG7
	78.5MM	.066" MLS-5 HEAD GASKET	.066	1.68	C4308-066	CG9
	78.5MM	.120" MLS HEAD GASKET	.120	3.05	C4308-120	CG17
S50B30/B32 EURO ONLY	87MM	.027" MLS M3/Z3/M COUPE 92-00	.027	0.69	C4508-027	CG18
	87MM	.040" MLS M3/Z3/M COUPE 92-00	.040	1.02	C4508-040	CG18
	87MM	.045" MLS M3/Z3/M COUPE 92-00	.045	1.14	C4508-045	CG18
	87MM	.051" MLS M3/Z3/M COUPE 92-00	.051	1.30	C4508-051	CG18
	87MM	.056" MLS-5 M3/Z3/M CPE 92-00	.056	1.42	C4508-056	CG19
	87MM	.060" MLS-5 M3/Z3/M CPE 92-00	.060	1.52	C4508-060	CG19
	87MM	.066" MLS-5 M3/Z3/M CPE 92-00	.066	1.68	C4508-066	CG19
	87MM	.070" MLS-5 M3/Z3/M CPE 92-00	.070	1.78	C4508-070	CG19
	87MM	.075" MLS-5 M3/Z3/M CPE 92-00	.075	1.91	C4508-075	CG19
	87MM	.080" MLS-5 M3/Z3/M CPE 92-00	.080	2.03	C4508-080	CG19
	87MM	.098" MLS-5 M3/Z3/M CPE 92-00	.098	2.49	C4508-098	CG19
	87MM	.120" MLS M3/Z3/M COUPE 92-00	.120	3.05	C4508-120	CG20
	87MM	.140" MLS M3/Z3/M COUPE 92-00	.140	3.56	C4508-140	CG22
S54 3.2L 2000 UP	87.5MM	.027" MLS M3, Z3, Z4 M	.027	0.69	C4505-027	CG14
	87.5MM	.030" MLS M3, Z3, Z4 M	.030	0.76	C4505-030	CG14
	87.5MM	.036" MLS M3, Z3, Z4 M	.036	0.91	C4505-036	CG14
	87.5MM	.040" MLS M3, Z3, Z4 M	.040	1.02	C4505-040	CG14
	87.5MM	.060" MLS-5 M3, Z3, Z4 M	.060	1.52	C4505-060	CG16
	87.5MM	.070" MLS-5 M3, Z3, Z4 M	.070	1.78	C4505-070	CG16
	87.5MM	.080" MLS-5 M3, Z3, Z4 M	.080	2.03	C4505-080	CG17
	87.5MM	.086" MLS-5 M3, Z3, Z4 M	.086	2.18	C4505-086	CG17
	87.5MM	.092" MLS-5 M3, Z3, Z4 M	.092	2.34	C4505-092	CG17
	87.5MM	.050" MLS-5 M3, Z3, Z4 M	.050	1.27	C4505-050	CG18
	S85B50 V-10	93MM	.027" MLS HEAD GASKET	.027	0.69	C4528-027
94.5MM		.027" MLS HEAD GASKET	.027	0.69	C4529-027	CG11



## GASKETS



Description	Fits bore size	Long description material (inch)	Thickness (inch)	Thickness (mm)	Stock code	pricecode
<b>FERRARI</b>						
308 V8 2 VALVE	81MM	.045" MLS HEAD GASKET	.045	1.14	C4430-045	CG12
	89MM	.045" MLS HEAD GASKET	.045	1.14	C4395-045	CG12
308/328 4 VALVE	83MM	.045" MLS HEAD GASKET	.045	1.14	C4428-045	CG12
	83MM	.060" MLS-5 HEAD GASKET	.060	1.52	C4428-060	CG14
	89MM	.045" MLS HEAD GASKET	.045	1.14	C4429-045	CG12
<b>FORD</b>						
COSWORTH 4 VALVE FVC/FVA	87MM	.030" MLS HEAD GASKET	.030	0.76	C4138-030	CG7
	87MM	.040" MLS HEAD GASKET	.040	1.02	C4138-040	CG7
	87MM	.051" MLS HEAD GASKET	.051	1.30	C4138-051	CG7
	87MM	.066" MLS HEAD GASKET	.066	1.68	C4138-066	CG9
	88MM	.040 MLS HEAD GASKET	.040	1.02	C4135-040	CG7
	88MM	.045" MLS HEAD GASKET	.045	1.14	C4135-045	CG7
	88MM	.051" MLS HEAD GASKET	.051	1.30	C4135-051	CG7
	88MM	.050" MLS- 5 LAYER GASKET	.050	1.27	C4135-050	CG9
COSWORTH BDG 2L DOHC	91MM	.030" MLS HEAD GASKET	.030	0.76	C4494-030	CG7
	91MM	.036" MLS HEAD GASKET	.036	0.91	C4494-036	CG7
	91MM	.040" MLS HEAD GASKET	.040	1.02	C4494-040	CG7
	91MM	.051" MLS HEAD GASKET	.051	1.30	C4494-51	CG7
	91MM	.040 ,HP' MLS HEAD GASKET	.040	1.02	C4316-040	CG10
	91MM	.054 ,HP' MLS HEAD GASKET	.054	1.37	C4316-054	CG10
COSWORTH YB	92.5MM	.070" GPA MLS-5 LAYER HEAD	.070	1.78	C4350-070	CG9
	92.5MM	.075" GPA MLS-5 LAYER HEAD	.075	1.91	C4350-075	CG9
	92.5MM	.080" GPA MLS-5 HEAD GASKET	.080	2.03	C4350-080	CG10
	92.5MM	.098" GPA MLS-5 HEAD GASKET	.098	2.49	C4350-098	CG10
	92.5MM	.051" MLS PERFORMANCE GROUP A	.051	1.30	C4350-051	CG7
	92.5MM	.060" MLS-5 GPA GASKET	.060	1.52	C4350-060	CG9
	92.5MM	.066" MLS-5 GPA GASKET	.066	1.68	C4350-066	CG9
	92.5MM	.120" GPA 3 LAYER GASKET	.120	3.05	C4350-120	CG17
FOCUS / CONTOUR / ZX2	87MM	.027" MLS 2L-ZETEC HEAD GASKET	.027	0.69	C4279-027	CG6
	87MM	.030" MLS 2L-ZETEC HEAD GASKET	.030	0.76	C4279-030	CG6
	87MM	.036" MLS 2L-ZETEC HEAD GASKET	.036	0.91	C4279-036	CG6
	87MM	.040" MLS 2L-ZETEC HEAD GASKET	.040	1.02	C4279-040	CG6
	87MM	.045" MLS 2L-ZETEC HEAD GASKET	.045	1.14	C4279-045	CG6
	87MM	.051" MLS 2L-ZETEC HEAD GASKET	.051	1.30	C4279-051	CG6

## GASKETS



Description	Fits bore size	Long description material (inch)	Thickness (inch)	Thickness (mm)	Stock code	pricecode
<b>FORD</b>						
FOCUS / CONTOUR / ZX2	87MM	.040" MLS 2L-ZETEC HEAD GASKET	.040	1.02	C4280-040	CG6
	87MM	.051" MLS 2L-ZETEC HEAD GASKET	.051	1.30	C4280-051	CG6
	87MM	.060" MLS-5 2L-ZETEC HEAD GSKT	.060	1.52	C4279-060	CG9
	87MM	.066" MLS-5 2L-ZETEC HEAD GSKT	.066	1.68	C4279-066	CG9
	87MM	.070" MLS-5 2L-ZETEC GASKET	.070	1.78	C4279-070	CG9
	87MM	.060" MLS 2L-ZETEC HEAD GASKET	.060	1.52	C4280-060	CG9
	87MM	.070" MLS 2L-ZETEC HEAD GASKET	.070	1.78	C4280-070	CG9
	87MM	.080" MLS-5 2L-ZETEC GASKET	.080	2.03	C4279-080	CG10
	87MM	.084" MLS-5 2L-ZETEC GASKET	.084	2.13	C4279-084	CG10
	87MM	.098" MLS-5 2L-ZETEC GASKET	.098	2.49	C4279-098	CG10
PINTO SOHC 2L	92.5MM	.027" MLS STANDARD HEAD GASKET	.027	0.69	C4218-027	CG7
	92.5MM	.030" MLS STANDARD HEAD GASKET	.030	0.76	C4218-030	CG7
	92.5MM	.036" MLS STANDARD HEAD GASKET	.036	0.91	C4218-036	CG7
	92.5MM	.040" MLS STANDARD HEAD GASKET	.040	1.02	C4218-040	CG7
	92.5MM	.045" MLS STANDARD HEAD GASKET	.045	1.14	C4218-045	CG7
	92.5MM	.056" MLS-5 GPA GASKET	.056	1.42	C4218-056	CG9
	92.5MM	.060" MLS-5 GPA GASKET	.060	1.52	C4218-060	CG9
	92.5MM	.066" MLS-5 GPA GASKET	.066	1.68	C4218-066	CG9
	92.5MM	.080" MLS-5 GASKET	.080	2.03	C4218-080	CG10
	92.5MM	.092" MLS-5 GASKET	.092	2.34	C4218-092	CG10
92.5MM	.120" MLS STANDARD HEAD GASKET	.120	3.05	C4218-120	CG17	
COSWORTH PINTO DOHC	92.5M	.051" MLS STANDARD HEAD GASKET	.051	1.30	C4218-051	CG7
COSWORTH PINTO/YB	92.5MM	.027" MLS STANDARD HEAD GASKET	.027	0.69	C4350-027	CG7
	92.5MM	.030" MLS STANDARD HEAD GASKET	.030	0.76	C4350-030	CG7
	92.5MM	.036" MLS STANDARD HEAD GASKET	.036	0.91	C4350-036	CG7
	92.5MM	.040" MLS STANDARD HEAD GASKET	.040	1.02	C4350-040	CG7
	92.5MM	.045" MLS STANDARD HEAD GASKET	.045	1.14	C4350-045	CG7
COSWORTH YB 2L	92.5MM	.040" MLS GROUP A- W/BORE SHIM	.040	1.02	C4219-040	CG11
	92.5MM	.054" MLS GROUP A- W/BORE SHIM	.054	1.37	C4219-054	CG11
<b>HONDA</b>						
CIVIC 1.7L D17A1	76MM	.056" MLS-5 HEAD GASKET	.056	1.42	C4474-056	CG9
	76MM	.075" MLS-5 HEAD GASKET	.075	1.91	C4474-075	CG9

# GASKETS



Description	Fits bore size	Long description material (inch)	Thickness (inch)	Thickness (mm)	Stock code	pricecode
<b>HONDA</b>						
CIVIC 1.7L D171	76MM	.027" MLS HEAD D17	.027	0.69	C4474-027	CG7
	76MM	.030" MLS HEAD D17	.030	0.76	C4474-030	CG7
	76MM	.036" MLS HEAD D17	.036	0.91	C4474-036	CG7
	76MM	.040" MLS HEAD D17	.040	1.02	C4474-040	CG7
	76MM	.045" MLS HEAD D17	.045	1.14	C4474-045	CG7
	76MM	.051" MLS HEAD D17	.051	1.30	C4474-051	CG7
	76MM	.120" MLS HEAD D17	.120	3.05	C4474-120	CG17
	77MM	.027" MLS HEAD D17	.027	0.69	C4473-027	CG7
	79MM	.027" MLS HEAD D17	.027	0.69	C4471-027	CG7
CIVIC, CRX SI SOHC	78MM	.030" MLS HEAD D15/16	.030	0.76	C4167-030	CG7
	78MM	.036" MLS HEAD D15/16	.036	0.91	C4167-036	CG7
	78MM	.040" MLS HEAD D15/16	.040	1.02	C4167-040	CG7
	78MM	.051" MLS HEAD D15/16	.051	1.30	C4167-051	CG8
	75.5M	.027" MLS HEAD D15/16	.027	0.69	C4251-027	CG7
	75.5M	.030" MLS HEAD D15/16	.030	0.76	C4251-030	CG7
	75.5M	.036" MLS HEAD D15/16	.036	0.91	C4251-036	CG7
	75.5M	.040" MLS HEAD D15/16	.040	1.02	C4251-040	CG7
	75.5M	.045" MLS HEAD D15/16	.045	1.14	C4251-045	CG7
	75.5M	.051" MLS HEAD D15/16	.051	1.30	C4251-051	CG7
	75.5M	.060" MLS-5 HEAD D15/16	.060	1.52	C4251-060	CG9
	75.5M	.066" MLS-5 HEAD D15/16	.066	1.68	C4251-066	CG9
	75.5M	.070" MLS-5 HEAD D15/16	.070	1.78	C4251-070	CG9
	75.5M	.075" MLS-5 HEAD D15/16	.075	1.91	C4251-075	CG9
	75.5M	.080" MLS-5 HEAD D15/16	.080	2.03	C4251-080	CG10
	75.5M	.084" MLS-5 HEAD D15/16	.084	2.13	C4251-084	CG10
	75.5M	.086" MLS-5 HEAD D15/16	.086	2.18	C4251-086	CG10
	75.5M	.095" MLS-5 HEAD D15/16	.095	2.41	C4251-095	CG10
	75.5M	.098" MLS-5 HEAD D15/16	.098	2.49	C4251-098	CG10
	75.5M	.120" MLS HEAD D15/16	.120	3.05	C4251-120	CG17
	76M	.120" MLS HEAD D15/16	.120	3.05	C4195-120	CG17
	76MM	.027" MLS HEAD D15/16	.027	0.69	C4195-027	CG7
	76MM	.030" MLS HEAD D15/16	.030	0.76	C4195-030	CG7
	76MM	.036" MLS HEAD D15/16	.036	0.91	C4195-036	CG7
	76MM	.040" MLS HEAD D15/16	.040	1.02	C4195-040	CG7

# GASKETS



Description	Fits bore size	Long description material (inch)	Thickness (inch)	Thickness (mm)	Stock code	pricecode
<b>HONDA</b>						
CIVIC, CRX SI SOHC	76MM	.045" MLS HEAD D15/16	.045	1.14	C4195-045	CG7
	76MM	.051" MLS HEAD D15/16	.051	1.30	C4195-051	CG7
	76MM	.060" MLS-5 HEAD D15/16	.060	1.52	C4195-060	CG9
	76MM	.066" MLS-5 HEAD D15/16	.066	1.68	C4195-066	CG9
	76MM	.070" MLS-5 HEAD D15/16	.070	1.78	C4195-070	CG9
	76MM	.075" MLS-5 HEAD D15/16	.075	1.91	C4195-075	CG9
	76MM	.080" MLS-5 HEAD D15/16	.080	2.03	C4195-080	CG10
	76MM	.098" MLS-5 HEAD D15/16	.098	2.49	C4195-098	CG10
	77MM	.027" MLS HEAD D15/16	.027	0.69	C4196-027	CG7
	77MM	.030" MLS HEAD D15/16	.030	0.76	C4196-030	CG7
	77MM	.036" MLS HEAD D15/16	.036	0.91	C4196-036	CG7
	77MM	.040" MLS HEAD D15/16	.040	1.02	C4196-040	CG7
	77MM	.051" MLS HEAD D15/16	.051	1.30	C4196-051	CG7
	78MM	.070" MLS-5 HEAD D15/16	.070	1.78	C4167-070	CG9
	78MM	.098" MLS-5 HEAD D15/16	.098	2.49	C4167-098	CG10
	79MM	.030" MLS HEAD D15/16	.030	0.76	C4197-030	CG7
	79MM	.036" MLS HEAD D15/16	.036	0.91	C4197-036	CG7
	79MM	.040" MLS HEAD D15/16	.040	1.02	C4197-040	CG7
	79MM	.045" MLS HEAD D15/16	.045	1.14	C4197-045	CG7
	79MM	.051" MLS HEAD D15/16	.051	1.30	C4197-051	CG7
CRV 1997-2002	85MM	.027" MLS HEAD, B20 MOTOR	.027	0.69	C4250-027	CG7
	85MM	.030" MLS HEAD, B20 MOTOR	.030	0.76	C4250-030	CG7
	85MM	.036" MLS HEAD, B20 MOTOR	.036	0.91	C4250-036	CG7
	85MM	.040" MLS HEAD, B20 MOTOR	.040	1.02	C4250-040	CG7
	85MM	.045" MLS HEAD, B20 MOTOR	.045	1.14	C4250-045	CG7
	85MM	.051" MLS HEAD, B20 MOTOR	.051	1.30	C4250-051	CG7
	85MM	.060" MLS-5 HEAD, B20 MOTOR	.060	1.52	C4250-060	CG9
	85MM	.075" MLS-5 HEAD, B20 MOTOR	.075	1.91	C4250-075	CG9
	85MM	.080" MLS-5 HEAD, B20 MOTOR	.080	2.03	C4250-080	CG10
	85MM	.120" MLS HEAD, B20 MOTOR	.120	3.05	C4250-120	CG17
CRX,CIVIC INTG-VTEC	81.5MM	.027" MLS HEAD	.027	0.69	C4232-027	CG7
	81.5MM	.036" MLS HEAD	.036	0.91	C4232-036	CG7
	81.5MM	.040" MLS HEAD	.040	1.02	C4232-040	CG7
	81.5MM	.045" MLS HEAD	.045	1.14	C4232-045	CG7

# GASKETS



Description	Fits bore size	Long description material (inch)	Thickness (inch)	Thickness (mm)	Stock code	pricecode
<b>HONDA</b>						
CRX,CIVIC INTG-VTEC	81.5MM	.051" MLS HEAD	.051	1.30	C4232-051	CG7
	81.5MM	.060" MLS-5 HEAD	.060	1.52	C4232-060	CG9
	81.5MM	.066" MLS-5 HEAD	.066	1.68	C4232-066	CG9
	81.5MM	.070" MLS-5 HEAD	.070	1.78	C4232-070	CG9
	81.5MM	.075" MLS-5 HEAD	.075	1.91	C4232-075	CG9
	81.5MM	.080" MLS-5 HEAD	.080	2.03	C4232-080	CG10
	81.5MM	.095" MLS-5 HEAD	.095	2.41	C4232-095	CG10
	81.5MM	.098" MLS-5 HEAD	.098	2.49	C4232-098	CG10
	81.5MM	.120" MLS HEAD	.120	3.05	C4232-120	CG17
	81.5MM	.140" MLS HEAD	.140	3.56	C4232-140	CG17
	81MM	.027" MLS HEAD	.027	0.69	C4231-027	CG7
	81MM	.036" MLS HEAD	.036	0.91	C4231-036	CG7
	81MM	.040" MLS HEAD	.040	1.02	C4231-040	CG7
	81MM	.045" MLS HEAD	.045	1.14	C4231-045	CG7
	81MM	.051" MLS HEAD	.051	1.30	C4231-051	CG7
	81MM	.056" MLS-5 HEAD	.056	1.42	C4231-056	CG9
	81MM	.060" MLS-5 HEAD	.060	1.52	C4231-060	CG9
	81MM	.066" MLS-5 HEAD	.066	1.68	C4231-066	CG9
	81MM	.070" MLS-5 HEAD	.070	1.78	C4231-070	CG9
	81MM	.075" MLS-5 HEAD	.075	1.91	C4231-075	CG9
	81MM	.080" MLS-5 HEAD	.080	2.03	C4231-080	CG10
	81MM	.089" MLS-5 HEAD	.089	2.26	C4231-089	CG10
	81MM	.098" MLS-5 HEAD	.098	2.49	C4231-098	CG10
	81MM	.120" MLS HEAD	.120	3.05	C4231-120	CG17
	82MM	.018" MLS HEAD	.018	0.46	C4168-018	CG7
	82MM	.080" MLS-5 HEAD	.08	2.03	C4168-080	CG10
	82MM	.086" MLS-5 HEAD	.086	2.18	C4168-086	CG10
	82MM	.098" MLS-5 HEAD	.098	2.49	C4168-098	CG10
	83MM	.027" MLS HEAD	.027	0.69	C4189-027	CG7
	83MM	.040" MLS HEAD	.040	1.02	C4189-040	CG7
	83MM	.045" MLS HEAD	.045	1.14	C4189-045	CG7
	83MM	.051" MLS HEAD	.051	1.30	C4189-051	CG7
	83MM	.060" MLS-5 HEAD	.060	1.52	C4189-060	CG9

# GASKETS



Description	Fits bore size	Long description material (inch)	Thickness (inch)	Thickness (mm)	Stock code	pricecode
<b>HONDA</b>						
CRX,CIVIC INTG-VTEC	83MM	.062" MLS-5 HEAD	.062	1.57	C4189-062	CG9
	83MM	.075" MLS-5 HEAD	.075	1.91	C4189-075	CG9
	83MM	.112" MLS HEAD	.112	2.84	C4189-112	CG17
	83MM	.120" MLS HEAD	.120	3.05	C4189-120	CG17
	83MM	.140" MLS HEAD	.140	3.56	C4189-140	CG17
	84MM	.027" MLS HEAD	.027	0.69	C4188-027	CG7
	84MM	.036" MLS HEAD	.036	0.91	C4188-036	CG7
	84MM	.040" MLS HEAD	.040	1.02	C4188-040	CG7
	84MM	.045" MLS HEAD	.045	1.14	C4188-045	CG7
	84MM	.051" MLS HEAD	.051	1.30	C4188-051	CG7
	84MM	.056" MLS-5 HEAD	.056	1.42	C4188-056	CG9
	84MM	.060" MLS-5 HEAD	.060	1.52	C4188-060	CG9
	84MM	.066" MLS-5 HEAD	.066	1.68	C4188-066	CG9
	84MM	.070" MLS-5 HEAD	.070	1.78	C4188-070	CG9
	84MM	.075" MLS-5 HEAD	.075	1.91	C4188-075	CG9
	84MM	.092" MLS-5 HEAD	.092	2.34	C4188-092	CG10
	84MM	.098" MLS-5 HEAD	.098	24.89	C4188-098	CG10
	84MM	.120" MLS HEAD	.120	3.05	C4188-120	CG17
	84MM	.140" MLS HEAD	.140	3.56	C4188-140	CG17
	85MM	.027" MLS HEAD	.027	0.69	C4182-027	CG7
	85MM	.036" MLS HEAD	.036	0.91	C4182-036	CG7
	85MM	.040" MLS HEAD	.040	1.02	C4182-040	CG7
	85MM	.045" MLS HEAD	.045	1.14	C4182-045	CG7
	85MM	.051" MLS HEAD	.051	1.30	C4182-051	CG7
	85MM	.060" MLS-5 HEAD	.060	1.52	C4182-060	CG9
	85MM	.066" MLS-5 HEAD	.066	1.68	C4182-066	CG9
	85MM	.070" MLS-5 HEAD	.070	1.78	C4182-070	CG9
	85MM	.075" MLS-5 HEAD	.075	1.91	C4182-075	CG9
	85MM	.080" MLS-5 HEAD	.080	2.03	C4182-080	CG10
	85MM	.098" MLS-5 HEAD	.098	2.49	C4182-098	CG10
	85MM	.120" MLS HEAD	.120	3.05	C4182-120	CG17
	85MM	.140" MLS HEAD	.140	3.56	C4182-140	CG17
	82MM	.027" MLS HEAD	.027	0.69	C4168-027	CG7
	82MM	.030" MLS, HEAD GASKET	.030	0.76	C4168-030	CG7

# GASKETS



Description	Fits bore size	Long description material (inch)	Thickness (inch)	Thickness (mm)	Stock code	pricecode
<b>HONDA</b>						
CRX,CIVIC INTG-VTEC	82MM	.036" MLS HEAD	.036	0.91	C4168-036	CG7
	82MM	.040" MLS HEAD	.040	1.02	C4168-040	CG7
	82MM	.045" MLS HEAD	.045	1.14	C4168-045	CG7
	82MM	.051" MLS HEAD	.051	1.30	C4168-051	CG7
	82MM	.060" MLS-5 HEAD	.060	1.52	C4168-060	CG9
	82MM	.066" MLS-5 HEAD	.066	1.68	C4168-066	CG9
	82MM	.070" MLS-5 HEAD	.070	1.78	C4168-070	CG9
	82MM	.075" MLS-5 HEAD	.075	1.91	C4168-075	CG9
	82MM	.120" MLS HEAD	.120	3.05	C4168-120	CG17
	81.5	.030" MLS, HEAD GASKET	.030	0.76	C4232-030	CG7
	81MM	.030" MLS, HEAD GASKET	.030	0.76	C4231-030	CG7
	83MM	.030" MLS, HEAD GASKET	.030	0.76	C4189-030	CG7
	83MM	.036" MLS, HEAD GASKET	.036	0.91	C4189-036	CG7
	84MM	.030" MLS, HEAD GASKET	.030	0.76	C4188-030	CG7
	85MM	.030" MLS, HEAD GASKET	.030	0.76	C4182-030	CG7
D15B1-2-7/D16A6-7	75.5MM	.030" MLS SOHC ZC HEAD GASKET	.030	0.76	C4117-030	CG7
	75.5MM	.036" MLS SOHC ZC HEAD GASKET	.036	0.91	C4117-036	CG7
	75.5MM	.040" MLS SOHC ZC HEAD GASKET	.040	1.02	C4117-040	CG7
	75.5MM	.051" MLS SOHC ZC HEAD GASKET	.051	1.30	C4117-051	CG7
	75.5MM	.056" MLS-5 SOHC ZC	.056	1.42	C4117-056	CG9
	75.5MM	.065" MLS-5 SOHC ZC	.065	1.65	C4117-065	CG9
	75.5MM	.140" MLS HEAD SOHC ZC	.140	3.56	C4117-140	CG17
	76MM	.030" MLS SOHC ZC HEAD GASKET	.030	0.76	C4118-030	CG7
	76MM	.040" MLS SOHC ZC HEAD GASKET	.040	1.02	C4118-040	CG7
	76MM	.045" MLS SOHC ZC HEAD GASKET	.045	1.14	C4118-045	CG7
	76MM	.051" MLS SOHC ZC HEAD GASKET	.051	1.30	C4118-051	CG7
	76MM	.075" MLS-5 SOHC ZC HEAD	.075	1.91	C4118-075	CG9
	77MM	.030" MLS SOHC ZC HEAD GASKET	.030	0.76	C4119-030	CG7
	77MM	.040" MLS SOHC ZC HEAD GASKET	.040	1.02	C4119-040	CG7
	78MM	.030" MLS SOHC ZC HEAD GASKET	.030	0.76	C4120-030	CG7
	78MM	.051" MLS SOHC ZC HEAD GASKET	.051	1.30	C4120-051	CG7
	78MM	.060" MLS SOHC ZC HEAD GASKET	.060	1.52	C4120-060	CG9
	79MM	.030" MLS SOHC ZC HEAD GASKET	.030	0.76	C4121-030	CG7
	79MM	.040" MLS SOHC ZC HEAD GASKET	.040	1.02	C4121-040	CG7

# GASKETS



Description	Fits bore size	Long description material (inch)	Thickness (inch)	Thickness (mm)	Stock code	pricecode
<b>HONDA</b>						
D16A1/2/8/9	75.5MM	.027" MLS DOHC ZC HEAD GASKET	.027	0.69	C4522-027	CG7
	75.5MM	.030" MLS DOHC ZC HEAD GASKET	.030	0.76	C4522-030	CG7
	75.5MM	.036" MLS DOHC ZC HEAD GASKET	.036	0.91	C4522-036	CG7
	75.5MM	.040" MLS DOHC ZC HEAD GASKET	.040	1.02	C4522-040	CG7
	75.5MM	.045" MLS DOHC ZC HEAD GASKET	.045	1.14	C4522-045	CG7
	75.5MM	.051" MLS DOHC ZC HEAD GASKET	.051	1.30	C4522-051	CG7
	75.5MM	.050" MLS-5 DOHC ZC HEAD GSKT	.050	1.27	C4522-050	CG9
	75.5MM	.060" MLS-5 DOHC ZC HEAD GSKT	.060	1.52	C4522-060	CG9
	75.5MM	.075" MLS-5 DOHC ZC HEAD GSKT	.075	1.91	C4522-075	CG9
	75.5MM	.080" MLS-5 DOHC ZC HEAD GSKT	.080	2.03	C4522-080	CG10
	76MM	.027" MLS DOHC ZC HEAD GASKET	.027	0.69	C4524-027	CG7
	76MM	.030" MLS DOHC ZC HEAD GASKET	.030	0.76	C4524-030	CG7
	76MM	.040" MLS DOHC ZC HEAD GASKET	.040	1.02	C4524-040	CG7
	76MM	.045" MLS DOHC ZC HEAD GASKET	.045	1.14	C4524-045	CG7
	76MM	.051" MLS DOHC ZC HEAD GASKET	.051	1.30	C4524-051	CG7
	76MM	.080" MLS-5 DOHC ZC HEAD GSKT	.080	2.03	C4524-080	CG10
	76MM	.120" MLS DOHC ZC HEAD GASKET	.120	3.05	C4524-120	CG17
	77MM	.030" MLS DOHC ZC HEAD GASKET	.030	0.76	C4525-030	CG7
	78MM	.030" MLS DOHC ZC HEAD GASKET	.030	0.76	C4526-030	CG7
	78MM	.040" MLS DOHC ZC HEAD GASKET	.040	1.02	C4526-040	CG7
78MM	.051" MLS DOHC ZC HEAD GASKET	.051	1.30	C4526-051	CG7	
F20C S2000 THRU 2003	89MM	.027" MLS 2.0L HEAD GASKET	.027	0.69	C4335-027	CG7
	89MM	.030" MLS 2.0L HEAD GASKET	.030	0.76	C4335-030	CG7
	89MM	.036" MLS 2.0L HEAD GASKET	.036	0.91	C4335-036	CG7
	89MM	.040" MLS 2.0L HEAD GASKET	.040	1.02	C4335-040	CG7
	89MM	.045" MLS 2.0L HEAD GASKET	.045	1.14	C4335-045	CG7
	89MM	.051" MLS 2.0L HEAD GASKET	.051	1.30	C4335-051	CG7
	89MM	.060" MLS-5 2.0L HEAD GASKET	.060	1.52	C4335-060	CG9
	89MM	.075" MLS-5 2.0L HEAD GASKET	.075	1.91	C4335-075	CG9
	89MM	.080" MLS-5 2.0L HEAD GASKET	.080	2.03	C4335-080	CG10
	89MM	.086" MLS-5 2.0L HEAD GASKET	.086	2.18	C4335-086	CG10
	89MM	.098" MLS-5 2.0L HEAD GASKET	.098	24.89	C4335-098	CG10
	89MM	.120" MLS 2.0L HEAD GASKET	.120	3.05	C4335-120	CG17



# GASKETS



Description	Fits bore size	Long description material (inch)	Thickness (inch)	Thickness (mm)	Stock code	pricecode
<b>HONDA</b>						
HYBRID LS/CRV-VTEC	84.5M	.027"MLS B18/B20 W/VTEC HEAD	.027	0.69	C4241-027	CG7
	84.5M	.030"MLS B18/B20 W/VTEC HEAD	.030	0.76	C4241-030	CG7
	84.5M	.036"MLS B18/B20 W/VTEC HEAD	.036	0.91	C4241-036	CG7
	84.5M	.040"MLS B18/B20 W/VTEC HEAD	.040	1.02	C4241-040	CG7
	84.5M	.045" MLS B18/B20 W/VTEC HEAD	.045	1.14	C4241-045	CG7
	84.5M	.051" MLS B18/B20 W/VTEC HEAD	.051	1.30	C4241-051	CG7
	84.5M	.060"MLS-5 B18/B20 W/VTEC HEAD	.060	1.52	C4241-060	CG9
	84.5M	.070"MLS-5 B18/B20 W/VTEC HEAD	.070	1.78	C4241-070	CG9
	84.5M	.075"MLS-5 B18/B20 W/VTEC HEAD	.075	1.91	C4241-075	CG9
	84.5M	.080"MLS-5 B18/B20 W/VTEC HEAD	.080	2.03	C4241-080	CG10
	84.5M	.098"MLS-5 B18/B20 W/VTEC HEAD	.098	2.49	C4241-098	CG10
	84MM	.092" MLS B18/B20 W/VTEC HEAD	.092	2.34	C4193-092	CG10
	84MM	.098" MLS B18/B20 W/VTEC HEAD	.098	2.49	C4193-098	CG10
	85MM	.027"MLS B18/B20 W/VTEC HEAD	.027	0.69	C4194-027	CG7
	85MM	.030" MLS B18/B20W/VTEC HEAD	.030	0.76	C4194-030	CG7
	85MM	.036" MLS B18/B20W/VTEC HEAD	.036	0.91	C4194-036	CG7
	85MM	.040"MLS B18/B20 W/VTEC HEAD	.040	1.02	C4194-040	CG7
	85MM	.045"MLS B18/B20 W/VTEC HEAD	.045	1.14	C4194-045	CG7
	85MM	.051" MLS B18/B20 W/VTEC HEAD	.051	1.30	C4194-051	CG7
	85MM	.056" MLS-5 B18/B20 W/VTEC	.056	1.42	C4194-056	CG9
	85MM	.060" MLS-5 B18/B20 W/VTEC	.060	1.52	C4194-060	CG9
	85MM	.070" MLS-5 B18/B20 W/VTEC	.070	1.78	C4194-070	CG9
	85MM	.075" MLS-5 B18/B20 W/VTEC	.075	1.91	C4194-075	CG9
	85MM	.080" MLS B18/B20 W/VTEC HEAD	.080	2.03	C4194-080	CG10
	85MM	.089" MLS B18/B20 W/VTEC HEAD	.089	2.26	C4194-089	CG10
	85MM	.098" MLS-5 B18/B20 W/VTEC	.098	2.49	C4194-098	CG10
	86.5M	.027"MLS B18/B20 W/VTEC HEAD	.027	0.69	C4242-027	CG7
	86.5M	.030"MLS B18/B20 W/VTEC HEAD	.030	0.76	C4242-030	CG7
	86.5M	.036"MLS B18/B20 W/VTEC HEAD	.036	0.91	C4242-036	CG7
	86.5M	.040"MLS B18/B20 W/VTEC HEAD	.040	1.02	C4242-040	CG7
	86.5M	.045" MLS B18/B20 W/VTEC HEAD	.045	1.14	C4242-045	CG7
	86.5M	.051" MLS B18/B20 W/VTEC HEAD	.051	1.30	C4242-051	CG7
	86.5M	.060"MLS-5 B18/B20 W/VTEC HEAD	.060	1.52	C4242-060	CG9
	86.5M	.075"MLS-5 B18/B20 W/VTEC HEAD	.075	1.91	C4242-075	CG9
	86.5M	.080" MLS-5 B18/B20 W/VTEC	.080	2.03	C4242-080	CG10
	86.5M	.120"MLS B18/B20 W/VTEC HEAD	.120	3.05	C4242-120	CG17

# GASKETS



Description	Fits bore size	Long description material (inch)	Thickness (inch)	Thickness (mm)	Stock code	pricecode
<b>HONDA</b>						
HYBRID LS/VTEC	81.5MM	,90+ B18 W/ VTEC HEAD .027"MLS	.027	0.69	C4236-027	CG7
	81.5MM	.030"MLS B18A/B W/VTEC HEAD	.030	0.76	C4236-030	CG7
	81.5MM	,90+ B18 W/ VTEC HEAD .036"MLS	.036	0.91	C4236-036	CG7
	81.5MM	,90+ B18 W/ VTEC HEAD .040"MLS	.040	1.02	C4236-040	CG7
	81.5MM	,90+ B18 W/ VTEC HEAD .045"MLS	.045	1.14	C4236-045	CG7
	81.5MM	,90+ B18 W/ VTEC HEAD .051"MLS	.051	1.30	C4236-051	CG7
	81.5MM	.060" MLS-5 B18 W/ VTEC HEAD	.060	1.52	C4236-060	CG9
	81.5MM	.066" MLS-5 B18 W/ VTEC HEAD	.066	1.68	C4236-066	CG9
	81.5MM	.070" MLS-5 B18 W/ VTEC HEAD	.070	1.78	C4236-070	CG9
	81.5MM	.075" B18B W/VTEC HEAD MLS-5	.075	1.91	C4236-075	CG9
	81.5MM	.098" B18B W/VTEC HEAD MLS-5	.098	2.49	C4236-098	CG10
	81.5MM	,90+ B18 W/ VTEC HEAD .120"MLS	.120	3.05	C4236-120	CG17
	81MM	,90+ B18 W/ VTEC HEAD .027"MLS	.027	0.69	C4237-027	CG7
	81MM	.030MLS B18A/B W/VTEC HEAD	.030	0.76	C4237-030	CG7
	81MM	.036"MLS B18A/B W/VTEC HEAD	.036	0.91	C4237-036	CG7
	81MM	,90+ B18 W/ VTEC HEAD .040"MLS	.040	1.02	C4237-040	CG7
	81MM	,90+ B18 W/ VTEC HEAD .045"MLS	.045	1.14	C4237-045	CG7
	81MM	,90+ B18 W/ VTEC HEAD .051"MLS	.051	1.30	C4237-051	CG7
	81MM	.060" B18B W/VTEC HEAD MLS-5	.060	1.52	C4237-060	CG9
	81MM	.066" B18B W/VTEC HEAD MLS-5	.066	1.68	C4237-066	CG9
	81MM	.070" B18B W/VTEC HEAD MLS-5	.070	1.78	C4237-070	CG9
	81MM	.075" B18B W/VTEC HEAD MLS-5	.075	1.91	C4237-075	CG9
	81MM	.080" B18B W/VTEC HEAD MLS-5	.080	2.03	C4237-080	CG10
	81MM	.089" B18B W/VTEC HEAD MLS-5	.089	2.26	C4237-089	CG10
	81MM	.098" B18B W/VTEC HEAD MLS-5	.098	2.49	C4237-098	CG10
	81MM	,90+ B18 W/ VTEC HEAD .120"MLS	.120	3.05	C4237-120	CG17
	82MM	,90+ B18 W/ VTEC HEAD .027"MLS	.027	0.69	C4191-027	CG7
	82MM	,90+ B18 W/VTEC HEAD .030" MLS	.030	0.76	C4191-030	CG7
	82MM	,90+ B18 W/VTEC HEAD .036" MLS	.036	0.91	C4191-036	CG7
	82MM	,90+ B18 W/ VTEC HEAD .040"MLS	.040	1.02	C4191-040	CG7
	82MM	,90+ B18 W/ VTEC HEAD .045"MLS	.045	1.14	C4191-045	CG7
	82MM	,90+ B18 W/ VTEC HEAD .051"MLS	.051	1.30	C4191-051	CG7
	82MM	.056" MLS-5 ,90+ B18 W/ VTEC	.056	1.42	C4191-056	CG9
	82MM	.060"MLS-5 ,90+ B18 W/ VTEC	.060	1.52	C4191-060	CG9

# GASKETS



Description	Fits bore size	Long description material (inch)	Thickness (inch)	Thickness (mm)	Stock code	pricecode
<b>HONDA</b>						
HYBRID LS/VTEC	82MM	.066"MLS-5 ,90+ B18 W/ VTEC	.066	1.68	C4191-066	CG9
	82MM	.075" MLS-5 ,90+ B18 W/ VTEC	.075	1.91	C4191-075	CG9
	82MM	.080" MLS-5 ,90+ B18 W/ VTEC	.080	2.03	C4191-080	CG10
	82MM	.098" MLS-5 ,90+ B18 W/ VTEC	.098	2.49	C4191-098	CG10
	82MM	.120" MLS B18A/B W/VTEC HEAD	.120	3.05	C4191-120	CG17
	83MM	.027" MLS B18A/B W/VTEC HEAD	.027	0.69	C4192-027	CG7
	83MM	.030"MLS B18A/B W/VTEC HEAD	.030	0.76	C4192-030	CG7
	83MM	.040"MLS B18A/B W/VTEC HEAD	.040	1.02	C4192-040	CG7
	83MM	.045"MLS B18A/B W/VTEC HEAD	.045	1.14	C4192-045	CG7
	83MM	.051" MLS B18A/B W/VTEC HEAD	.051	1.30	C4192-051	CG7
	83MM	.120" MLS B18A/B W/VTEC HEAD	.120	3.05	C4192-120	CG17
	84MM	.027"MLS B18A/B W/VTEC HEAD	.027	0.69	C4193-027	CG7
	84MM	.030"MLS B18A/B W/VTEC HEAD	.030	0.76	C4193-030	CG7
	84MM	.036"MLS B18A/B W/VTEC HEAD	.036	0.91	C4193-036	CG7
	84MM	.040"MLS B18A/B W/VTEC HEAD	.040	1.02	C4193-040	CG7
	84MM	.045"MLS B18A/B W/VTEC HEAD	.045	1.14	C4193-045	CG7
	84MM	.051" MLS B18A/B W/VTEC HEAD	.051	1.30	C4193-051	CG7
	84MM	.060" MLS-5 B18A/B W/VTEC HEAD	.060	1.52	C4193-060	CG9
	84MM	.070"MLS-5 B18A/B W/VTEC HEAD	.070	1.78	C4193-070	CG9
	84MM	.075"MLS-5 B18A/B W/VTEC HEAD	.075	1.91	C4193-075	CG9
	84MM	.120" MLS B18A/B W/VTEC HEAD	.120	3.05	C4193-120	CG17
85MM	.120" MLS B18A/B W/VTEC HEAD	.120	3.05	C4194-120	CG17	
K20/K24	86MM HEAD GASKET	.018" MLS	.018	0.46	C4300-018	CG7
	86MM HEAD GASKET	.027" MLS	.027	0.69	C4300-027	CG7
	86MM HEAD GASKET	.030" MLS	.030	0.76	C4300-030	CG7
	86MM HEAD GASKET	.036" MLS	.036	0.91	C4300-036	CG7
	86MM HEAD GASKET	.040" MLS	.040	1.02	C4300-040	CG7
	86MM HEAD GASKET	.045" MLS	.045	1.14	C4300-045	CG7
	86MM HEAD GASKET	.051" MLS	.051	1.30	C4300-051	CG7
	86MM HEAD GASKET	.060" MLS-5	.060	1.52	C4300-060	CG9
	86MM HEAD GASKET	.066" MLS-5	.066	1.68	C4300-066	CG9
	86MM HEAD GASKET	.075" MLS-5	.075	1.91	C4300-075	CG9
	86MM HEAD GASKET	.080" MLS-5	.080	2.03	C4300-080	CG10
	86MM HEAD GASKET	.120" MLS	.120	3.05	C4300-120	CG17

# GASKETS



Description	Fits bore size	Long description material (inch)	Thickness (inch)	Thickness (mm)	Stock code	pricecode
<b>HONDA</b>						
K20/K24	87MM HEAD GASKET	.027" MLS	.027	0.69	C4311-027	CG7
	87MM HEAD GASKET	.030" MLS	.030	0.76	C4311-030	CG7
	87MM HEAD GASKET	.036" MLS	.036	0.91	C4311-036	CG7
	87MM HEAD GASKET	.040" MLS	.040	1.02	C4311-040	CG7
	87MM HEAD GASKET	.045" MLS	.045	1.14	C4311-045	CG7
	87MM HEAD GASKET	.051" MLS	.051	1.30	C4311-051	CG7
	87MM HEAD GASKET	.056" MLS-5	.056	1.42	C4311-056	CG9
	87MM HEAD GASKET	.060" MLS-5	.060	1.52	C4311-060	CG9
	87MM HEAD GASKET	.066" MLS-5	.066	1.68	C4311-066	CG9
	87MM HEAD GASKET	.086" MLS-5	.086	2.18	C4311-086	CG10
	87MM HEAD GASKET	.089" MLS-5	.089	2.26	C4311-089	CG10
	87MM HEAD GASKET	.098" MLS-5	.098	2.49	C4311-098	CG10
	88MM HEAD GASKET	.027" MLS	.027	0.69	C4312-027	CG7
	88MM HEAD GASKET	.030" MLS	.030	0.76	C4312-030	CG7
	88MM HEAD GASKET	.036" MLS	.036	0.91	C4312-036	CG7
	88MM HEAD GASKET	.040" MLS	.040	1.02	C4312-040	CG7
	88MM HEAD GASKET	.045" MLS	.045	1.14	C4312-045	CG7
	88MM HEAD GASKET	.051" MLS	.051	1.30	C4312-051	CG7
	88MM HEAD GASKET	.056" MLS-5	.056	1.42	C4312-056	CG9
	88MM HEAD GASKET	.060" MLS-5	.060	1.52	C4312-060	CG9
	88MM HEAD GASKET	.062" MLS-5	.062	1.57	C4312-062	CG9
	88MM HEAD GASKET	.075" MLS-5	.075	1.91	C4312-075	CG9
	89MM HEAD GASKET	.027" MLS	.027	0.69	C4313-027	CG7
	89MM HEAD GASKET	.030" MLS	.030	0.76	C4313-030	CG7
	89MM HEAD GASKET	.036" MLS	.036	0.91	C4313-036	CG7
	89MM HEAD GASKET	.040" MLS	.040	1.02	C4313-040	CG7
	89MM HEAD GASKET	.045" MLS	.045	1.14	C4313-045	CG7
	89MM HEAD GASKET	.051" MLS	.051	1.30	C4313-051	CG7
	89MM HEAD GASKET	.056" MLS-5	.056	1.42	C4313-056	CG9
	89MM HEAD GASKET	.060" MLS-5	.060	1.52	C4313-060	CG9
	89MM HEAD GASKET	.066" MLS-5	.066	1.68	C4313-066	CG9
	89MM HEAD GASKET	.075" MLS-5	.075	1.91	C4313-075	CG9
89MM HEAD GASKET	.120" MLS	.120	3.05	C4313-120	CG17	
K20Z3 06-09 SI	86MM BORE	.030" MLS HEAD GASKET	.030	0.76	C4561-030	CG7
	87MM BORE	.030" MLS HEAD GASKET	.030	0.76	C4562-030	CG7

# GASKETS



Description	Fits bore size	Long description material (inch)	Thickness (inch)	Thickness (mm)	Stock code	pricecode
<b>HONDA</b>						
PRELUDE 1992-1996	87MM	2.2LTR VTEC .027"MLS HEAD GSKT	.027	0.69	C4255-027	CG7
	87MM	2.2LTR VTEC .030"MLS HEAD H22	.030	0.76	C4255-030	CG7
	87MM	2.2LTR VTEC .036"MLS HEAD GSKT	.036	0.91	C4255-036	CG7
	87MM	2.2LTR VTEC .040"MLS HEAD GSKT	.040	1.02	C4255-040	CG7
	87MM	2.2LTR VTEC .045"MLS HEAD GSKT	.045	1.14	C4255-045	CG7
	87MM	2.2LTR VTEC .051"MLS HEAD GSKT	.051	1.30	C4255-051	CG7
	87MM	2.2LTR VTEC .060" MLS-5 HEAD	.060	1.52	C4255-060	CG9
	87MM	2.2LTR VTEC .066" MLS-5 HEAD	.066	1.68	C4255-066	CG9
	87MM	2.2LTR VTEC .070" MLS-5 HEAD	.070	1.78	C4255-070	CG9
	87MM	2.2L VTEC .075" MLS-5 HEAD	.075	1.91	C4255-075	CG9
	87MM	2.2L VTEC .080" MLS-5 HEAD	.080	2.03	C4255-080	CG10
	87MM	2.2LTR VTEC .120"MLS HEAD GSKT	.120	3.05	C4255-120	CG17
PRELUDE 1997 UP	87MM	.030" MLS H22-A4 HEAD GASKET	.030	0.76	C4252-030	CG7
	87MM	.036" MLS H22-A4 HEAD GASKET	.036	0.91	C4252-036	CG7
	87MM	.027" MLS H22-A4 HEAD GASKET	.027	0.69	C4252-027	CG7
	87MM	.040" MLS H22-A4 HEAD GASKET	.040	1.02	C4252-040	CG7
	87MM	.045" MLS H22-A4 HEAD GASKET	.045	1.14	C4252-045	CG7
	87MM	.051" MLS H22-A4 HEAD GASKET	.051	1.30	C4252-051	CG7
	87MM	.060" MLS-5 H22-A4 HEAD GASKET	.060	1.52	C4252-060	CG9
	87MM	.066" MLS-5 H22-A4 HEAD GASKET	.066	1.68	C4252-066	CG9
	87MM	.075" MLS-5 H22-A4 HEAD GASKET	.075	1.91	C4252-075	CG9
	87MM	.080" MLS-5 H22-A4 HEAD GASKET	.080	2.03	C4252-080	CG10
	87MM	.092" MLS-5 H22-A4 HEAD GASKET	.092	2.34	C4252-092	CG10
	87MM	.120" MLS H22-A4 HEAD GASKET	.120	3.05	C4252-120	CG17
PRELUDE 1992-1996	88MM	2.2LTR VTEC .027"MLS HEAD GSKT	.027	0.69	C4198-027	CG7
	88MM	2.2LTR VTEC .030"MLS HEAD H22	.030	0.76	C4198-030	CG7
	88MM	2.2LTR VTEC .040"MLS HEAD GSKT	.040	1.02	C4198-040	CG7
	88MM	2.2LTR VTEC .045"MLS HEAD GSKT	.045	1.14	C4198-045	CG7
	88MM	2.2LTR VTEC .051"MLS HEAD GSKT	.051	1.30	C4198-051	CG7
	88MM	.060"MLS-5 HEAD GSKT 2.2L VTEC	.060	1.52	C4198-060	CG9
	88MM	2.2LTR VTEC .066"MLS HEAD GSKT	.066	1.68	C4198-066	CG9
	88MM	.070"MLS-5 HEAD GSKT 2.2L VTEC	.070	1.78	C4198-070	CG9
	88MM	.075"MLS-5 HEAD GSKT 2.2L VTEC	.075	1.91	C4198-075	CG9
	88MM	2.2LTR VTEC .080"MLS-5 H22	.080	2.03	C4198-080	CG10
	88MM	2.2LTR VTEC .120"MLS HEAD GSKT	.120	3.05	C4198-120	CG17

# GASKETS



Description	Fits bore size	Long description material (inch)	Thickness (inch)	Thickness (mm)	Stock code	pricecode
<b>HONDA</b>						
PRELUDE 1997 UP	88MM	.030" MLS H22-A4 HEAD GASKET	.030	0.76	C4253-030	CG7
	88MM	.027" MLS H22-A4 HEAD GASKET	.027	0.69	C4253-027	CG7
	88MM	.036" MLS H22-A4 HEAD GASKET	.036	0.91	C4253-036	CG7
	88MM	.040" MLS H22-A4 HEAD GASKET	.040	1.02	C4253-040	CG7
	88MM	.045" MLS H22-A4 HEAD GASKET	.045	1.14	C4253-045	CG7
	88MM	.051" MLS H22-A4 HEAD GASKET	.051	1.30	C4253-051	CG7
	88MM	.120" MLS H22-A4 HEAD GASKET	.120	3.05	C4253-120	CG17
PRELUDE 1992-1996	89MM	2.2LTR VTEC .027"MLS HEAD H22	.027	0.69	C4185-027	CG7
	89MM	2.2 LTR VTEC .030"MLS HEAD H22	.030	0.76	C4185-030	CG7
	89MM	2.2 LTR VTEC .036"MLS HEAD H22	.036	0.91	C4185-036	CG7
	89MM	2.2LTR VTEC .040"MLS HEAD H22	.040	1.02	C4185-040	CG7
	89MM	2.2LTR VTEC .045"MLS HEAD H22	.045	1.14	C4185-045	CG7
	89MM	2.2LTR VTEC .051"MLS HEAD H22	.051	1.30	C4185-051	CG7
	89MM	2.2LTR VTEC .062" MLS-5 H22	.062	1.57	C4185-062	CG9
	89MM	2.2LTR VTEC .066"MLS-5 H22	.066	1.68	C4185-066	CG9
	89MM	2.2LTR VTEC .075"MLS-5 H22	.075	1.91	C4185-075	CG9
	89MM	2.2LTR VTEC .080"MLS-5 H22	.080	2.03	C4185-080	CG10
	89MM	2.2LTR VTEC .098" MLS-5 H22	.098	2.49	C4185-098	CG10
	89MM	2.2LTR VTEC .120"MLS HEAD H22	.120	3.05	C4185-120	CG17
	89MM	2.2LTR VTEC .060" MLS-5 HEAD	.060	1.52	C4254-060	CG9
	89MM	2.2LTR VTEC .066" MLS-5 HEAD	.066	1.68	C4254-066	CG9
	89MM	2.2LTR VTEC .070" MLS-5 HEAD	.070	1.78	C4254-070	CG9
PRELUDE 1997 UP	89MM	.030" MLS H22-A4 HEAD GASKET	.030	0.76	C4254-030	CG7
	89MM	.036" MLS H22-A4 HEAD GASKET	.036	0.91	C4254-036	CG7
	89MM	.040" MLS H22-A4 HEAD GASKET	.040	1.02	C4254-040	CG7
	89MM	.051" MLS H22-A4 HEAD GASKET	.051	1.30	C4254-051	CG7
	89MM	.027" MLS H22-A4 HEAD GASKET	.027	0.69	C4254-027	CG7
	89MM	.075" MLS-5 H22-A4 HEAD GASKET	.075	1.91	C4254-075	CG9
	89MM	.120" MLS H22-A4 HEAD GASKET	.120	3.05	C4254-120	CG17
PRELUDE B20A1/A5/B2	81.5MM	.045" MLS HEAD	.045	1.14	C4564-045	CG7
	82MM	.045" MLS HEAD	.045	1.14	C4565-045	CG7
	83MM	.045" MLS HEAD	.045	1.14	C4566-045	CG7
	84MM	.045" MLS HEAD	.045	1.14	C4567-045	CG7

# GASKETS



Description	Fits bore size	Long description material (inch)	Thickness (inch)	Thickness (mm)	Stock code	pricecode
<b>HONDA</b>						
PRELUDE H23A	87.5MM BORE	.040" MLS HEAD GASKET	.040	1.02	C4553-040	CG7
	87.5MM BORE	.051" MLS HEAD GASKET	.051	1.30	C4553-051	CG7
	88MM BORE	.040" MLS HEAD GASKET	.040	1.02	C4554-040	CG7
	88MM BORE	.051" MLS HEAD GASKET	.051	1.30	C4554-051	CG7
	88MM BORE	.070" MLS HEAD GASKET	.070	1.78	C4554-070	CG9
	89MM BORE	.040" MLS HEAD GASKET	.040	1.02	C4555-040	CG7
	89MM BORE	.051" MLS HEAD GASKET	.051	1.30	C4555-051	CG7
ACURA B18/A/B	82MM	.060" MLS-5 HEAD, NON VTEC	.060	1.52	C4173-060	CG9
	82MM	.075" MLS-5 HEAD, NON VTEC	.075	1.91	C4173-075	CG9
	85MM	.027" MLS HEAD, NON VTEC	.027	0.69	C4175-027	CG7
	85MM	.030" MLS HEAD, NON VTEC	.030	0.76	C4175-030	CG7
	85MM	.036" MLS HEAD, NON VTEC	.036	0.91	C4175-036	CG7
	85MM	.040" MLS HEAD, NON VTEC	.040	1.02	C4175-040	CG7
	85MM	.045" MLS HEAD, NON VTEC	.045	1.14	C4175-045	CG7
	85MM	.051" MLS HEAD, NON VTEC	.051	1.30	C4175-051	CG7
	85MM	.060" MLS-5 HEAD, NON VTEC	.060	1.52	C4175-060	CG9
	85MM	.066" MLS-5 HEAD, NON VTEC	.066	1.68	C4175-066	CG9
ACURA DOHC B18A/B	81.5MM	.027" MLS HEAD, NON VTEC	.027	0.69	C4239-027	CG7
	81.5MM	.030" MLS HEAD NON VTEC	.030	0.76	C4239-030	CG7
	81.5MM	.036" MLS HEAD NON VTEC	.036	0.91	C4239-036	CG7
	81.5MM	.040" MLS HEAD NON VTEC	.040	1.02	C4239-040	CG7
	81.5MM	.045" MLS HEAD NON VTEC	.045	1.14	C4239-045	CG7
	81.5MM	.051" MLS HEAD, NON VTEC	.051	1.30	C4239-051	CG7
	81.5MM	.065" MLS HEAD GASKET	.065	1.65	C4239-065	CG8
	81.5MM	.060" MLS-5 HEAD, NON VTEC	.060	1.52	C4239-060	CG9
	81.5MM	.066" MLS-5 HEAD, NON VTEC	.066	1.68	C4239-066	CG9
	81.5MM	.075" MLS-5 HEAD, NON VTEC	.075	1.91	C4239-075	CG9
	81.5MM	.098" MLS-5 HEAD, NON VTEC	.098	2.49	C4239-098	CG10
	81.5MM	.120" MLS HEAD GASKET	.120	3.05	C4239-120	CG17
	81MM	.027" MLS HEAD NON VTEC	.027	0.69	C4238-027	CG7
	81MM	.030" MLS HEAD NON VTEC	.030	0.76	C4238-030	CG7
	81MM	.036" MLS HEAD NON VTEC	.036	0.91	C4238-036	CG7
	81MM	.040" MLS HEAD, NON VTEC	.040	1.02	C4238-040	CG7

# GASKETS



Description	Fits bore size	Long description material (inch)	Thickness (inch)	Thickness (mm)	Stock code	pricecode
<b>HONDA</b>						
ACURA DOHC B18A/B	81MM	.045" MLS HEAD, NON VTEC	.045	1.14	C4238-045	CG7
	81MM	.051" MLS HEAD, NON VTEC	.051	1.30	C4238-051	CG7
	81MM	.074" MLS HEAD, NON VTEC	.074	1.88	C4238-074	CG9
	81MM	.060" MLS-5 HEAD, NON VTEC	.060	1.52	C4238-060	CG9
	81MM	.066" MLS-5 HEAD, NON VTEC	.066	1.68	C4238-066	CG9
	81MM	.070" MLS-5 HEAD, NON VTEC	.070	1.78	C4238-070	CG9
	81MM	.075" MLS-5 HEAD, NON VTEC	.075	1.91	C4238-075	CG9
	81MM	.080" MLS-5 HEAD, NON VTEC	.080	2.03	C4238-080	CG10
	81MM	.098" MLS-5 HEAD, NON VTEC	.098	2.49	C4238-098	CG10
	81MM	.120" MLS HEAD, NON VTEC	.120	3.05	C4238-120	CG17
	82MM	.027" MLS HEAD, NON VTEC	.027	0.69	C4173-027	CG6
	82MM	.030" MLS HEAD, NON VTEC	.030	0.76	C4173-030	CG7
	82MM	.036" MLS HEAD, NON VTEC	.036	0.91	C4173-036	CG7
	82MM	.040" MLS HEAD, NON VTEC	.040	1.02	C4173-040	CG7
	82MM	.045" MLS HEAD, NON VTEC	.045	1.14	C4173-045	CG7
	82MM	.051" MLS HEAD, NON VTEC	.051	1.30	C4173-051	CG7
	82MM	.120" MLS HEAD, NON VTEC	.120	3.05	C4173-120	CG17
	83MM	.030" MLS HEAD, NON VTEC	.030	0.76	C4181-030	CG7
	83MM	.036" MLS HEAD, NON VTEC	.036	0.91	C4181-036	CG7
	83MM	.040" MLS HEAD, NON VTEC	.040	1.02	C4181-040	CG7
	83MM	.051" MLS HEAD, NON VTEC	.051	1.30	C4181-051	CG7
	84MM	.027" MLS HEAD, NON VTEC	.027	0.69	C4180-027	CG7
	84MM	.030" MLS HEAD, NON VTEC	.030	0.76	C4180-030	CG7
	84MM	.036" MLS HEAD, NON VTEC	.036	0.91	C4180-036	CG7
	84MM	.040" MLS HEAD, NON VTEC	.040	1.02	C4180-040	CG7
	84MM	.045" MLS HEAD, NON VTEC	.045	1.14	C4180-045	CG7
	84MM	.051" MLS HEAD, NON VTEC	.051	1.30	C4180-051	CG7
	84MM	.060" MLS-5 HEAD, NON VTEC	.060	1.52	C4180-060	CG9
	84MM	.062" MLS-5 HEAD, NON VTEC	.062	1.57	C4180-062	CG9
	84MM	.075" MLS-5 HEAD, NON VTEC	.075	1.91	C4180-075	CG9
	84MM	.098" MLS-5 HEAD, NON VTEC	.098	2.49	C4180-098	CG10
	84MM	.120" MLS HEAD, NON VTEC	.120	3.05	C4180-120	CG17
	85MM	.140" MLS HEAD, NON VTEC	.140	3.56	C4175-140	CG17



## GASKETS



Description	Fits bore size	Long description material (inch)	Thickness (inch)	Thickness (mm)	Stock code	pricecode
<b>LANCIA</b>						
D50 LONG BLOCK	79MM	.059" CFM HEAD GASKET	.059	1.50	C4307-059	CG6
<b>LANCIA / FIAT</b>						
DELTA/TEMPRA	85MM	.030" MLS 8 AND 16 VALVE	.030	0.76	C4124-030	CG7
	85MM	.036" MLS 8 AND 16 VALVE	.036	0.91	C4124-036	CG7
	85MM	.040" MLS 8 AND 16 VALVE	.040	1.02	C4124-040	CG7
	85MM	.045" MLS 8 AND 16 VALVE	.045	1.14	C4124-045	CG7
	85MM	.051" MLS 8 AND 16 VALVE	.051	1.30	C4124-051	CG7
	85MM	.060" MLS-5 8/16 VALVE	.060	1.52	C4124-060	CG9
	85MM	.066" MLS-5 8/16 VALVE	.066	1.68	C4124-066	CG9
	85MM	.070" MLS-5 8/16 VALVE	.070	1.78	C4124-070	CG9
	85MM	.075" MLS-5 8/16 VALVE	.075	1.91	C4124-075	CG9
	85MM	.080" MLS-5 8/16 VALVE	.080	2.03	C4124-080	CG9
	85MM	.092" MLS-5 8/16 VALVE	.092	2.34	C4124-092	CG10
	85MM	.120" MLS 8 AND 16 VALVE	.120	3.05	C4124-120	CG17
	85MM	.140" MLS-5 8/16 VALVE	.140	3.56	C4124-140	CG17
	<b>MAZDA</b>					
MAZ MIATA 1.6L	80MM	.027" MLS HEAD B6D MOTOR	.027	0.69	C4122-027	CG8
	80MM	.030" MLS HEAD B6D MOTOR	.030	0.76	C4122-030	CG8
	80MM	.036" MLS HEAD B6D MOTOR	.036	0.91	C4122-036	CG8
	80MM	.040" MLS HEAD B6D MOTOR	.040	1.02	C4122-040	CG8
	80MM	.045" MLS HEAD B6D MOTOR	.045	1.14	C4122-045	CG8
	80MM	.051" MLS HEAD B6D MOTOR	.051	1.30	C4122-051	CG8
	80MM	.060" MLS-5 HEAD B6D MOTOR	.060	1.52	C4122-060	CG10
	80MM	.075" MLS-5 HEAD B6D MOTOR	.075	1.91	C4122-075	CG10
	80MM	.080" MLS-5 HEAD B6D MOTOR	.080	2.03	C4122-080	CG11
	80MM	.098" MLS-5 HEAD B6D MOTOR	.098	2.49	C4122-098	CG11
	MIATA 1.8L DOHC	83MM	.040" MLS HEAD BP MOTOR	.040	1.02	C4560-040
84MM		.040" MLS HEAD BP MOTOR	.040	1.02	C4568-040	CG8
85MM		.040" MLS HEAD BP MOTOR	.040	1.02	C4569-040	CG8

# GASKETS



Description	Fits bore size	Long description material (inch)	Thickness (inch)	Thickness (mm)	Stock code	pricecode
<b>MITSUBISHI</b>						
ECLIPS / GALANT / LANCER THRU EV03 4G63/T	85.5MM	.027" MLS	.027	0.69	C4233-027	CG7
	85.5MM	.030" MLS	.030	0.76	C4233-030	CG7
	85.5MM	.036" MLS	.036	0.91	C4233-036	CG7
	85.5MM	.040" MLS	.040	1.02	C4233-040	CG7
	85.5MM	.045" MLS	.045	1.14	C4233-045	CG7
	85.5MM	.051" MLS	.051	1.30	C4233-051	CG7
	85.5MM	.060" MLS-5	.060	1.52	C4233-060	CG9
	85.5MM	.066" MLS-5	.066	1.68	C4233-066	CG9
	85.5MM	.070" MLS-5	.070	1.78	C4233-070	CG9
	85.5MM	.075" MLS-5	.075	1.91	C4233-075	CG9
	85.5MM	.080" MLS-5	.080	2.03	C4233-080	CG10
	85.5MM	.084" MLS-5	.084	2.13	C4233-084	CG10
	85.5MM	.095" MLS-5	.095	2.41	C4233-095	CG10
	85.5MM	.120" MLS	.120	3.05	C4233-120	CG17
	86MM	.027" MLS	.027	0.69	C4234-027	CG7
	86MM	.030" MLS	.030	0.76	C4234-030	CG7
	86MM	.040" MLS	.040	1.02	C4234-040	CG7
	86MM	.045" MLS	.045	1.14	C4234-045	CG7
	86MM	.051" MLS	.051	1.30	C4234-051	CG7
	86MM	.056" MLS-5	.056	1.42	C4234-056	CG9
	86MM	.060" MLS-5	.060	1.52	C4234-060	CG9
	86MM	.066" MLS-5	.066	1.68	C4234-066	CG9
	86MM	.070" MLS-5	.070	1.78	C4234-070	CG9
	86MM	.075" MLS-5	.075	1.91	C4234-075	CG9
	86MM	.080" MLS-5	.080	2.03	C4234-080	CG10
	86MM	.095" MLS-5	.095	2.41	C4234-095	CG10
	86MM	.120" MLS	.120	3.05	C4234-120	CG17
	86MM	.140" MLS	.140	3.56	C4234-140	CG17
	87MM	.030" MLS	.030	0.76	C4235-030	CG7
	87MM	.036" MLS	.036	0.91	C4235-036	CG7
	87MM	.040" MLS	.040	1.02	C4235-040	CG7
	87MM	.045" MLS	.045	1.14	C4235-045	CG7
	87MM	.047" 4 LAYER	.047	1.19	C4235-047	CG7

## GASKETS



Description	Fits bore size	Long description material (inch)	Thickness (inch)	Thickness (mm)	Stock code	pricecode
<b>MITSUBISHI</b>						
ECLIPS / GALANT / LANCER THRU EV03 4G63/T	87MM	.051" MLS	.051	1.30	C4235-051	CG7
	87MM	.060" MLS-5	.060	1.52	C4235-060	CG9
	87MM	.066" MLS-5	.066	1.68	C4235-066	CG9
	87MM	.070" MLS-5	.070	1.78	C4235-070	CG9
	87MM	.075" MLS-5	.075	1.91	C4235-075	CG9
	87MM	.077" MLS-5	.077	1.96	C4235-077	CG10
	87MM	.080" MLS-5	.080	2.03	C4235-080	CG10
	87MM	.120" MLS	.120	3.05	C4235-120	CG17
4G64 4CYL	88MM	.050" COPPER HEAD GASKET	.050	1.27	C4213-050	CG6
	88MM	.063" COPPER HEAD GASKET	.063	1.60	C4213-063	CG6
6G72/6G72D4 V-6	93MM	.030" MLS DIAMANTE, 3000GT	.030	1.02	C4243-030	CG7
	93MM	.040" MLS DIAMANTE, 3000GT	.040	1.14	C4243-040	CG7
	93MM	.045" MLS DIAMANTE, 3000GT	.045	1.30	C4243-045	CG7
	93MM	.051" MLS DIAMANTE, 3000GT	.051	1.52	C4243-051	CG7
	93MM	.060" MLS-5 DIAMANTE, 3000GT	.060	1.68	C4243-060	CG9
	93MM	.066" MLS-5 DIAMANTE, 3000GT	.066	3.05	C4243-066	CG9
	93MM	.120" MLS DIAMANTE, 3000GT	.120	0.69	C4243-120	CG17
	95MM	.027" MLS HEAD 3000GT	.027	0.76	C4240-027	CG7
	95MM	.030" MLS HEAD 3000GT	.030	1.02	C4240-030	CG7
	95MM	.040" MLS HEAD 3000GT	.040	1.14	C4240-040	CG7
	95MM	.045" MLS HEAD 3000GT	.045	1.14	C4240-045	CG7
	95MM	.051" MLS HEAD 3000GT	.051	1.30	C4240-051	CG7
LANCER EV04-8	85MM BORE	.030" MLS 4G63 MOTOR 96-UP	.030	0.76	C4157-030	CG7
	85MM BORE	.036" MLS 4G63 MOTOR 96-UP	.036	0.91	C4157-036	CG7
	85MM BORE	.040" MLS 4G63 MOTOR 96-UP	.040	1.02	C4157-040	CG7
	85MM BORE	.045" MLS 4G63 MOTOR 96-UP	.045	1.14	C4157-045	CG7
	85MM BORE	.051" MLS 4G63 MOTOR 96-UP	.051	1.30	C4157-051	CG7
	85MM BORE	.060" MLS-5 4G63 MOTOR 1996-UP	.060	1.52	C4157-060	CG9
	85MM BORE	.070" MLS-5 4G63 MOTOR 1996-UP	.070	1.78	C4157-070	CG9
	85MM BORE	.075" MLS-5 4G63 MOTOR 1996-UP	.075	1.91	C4157-075	CG9
	85MM BORE	.080" MLS-5 4G63 MOTOR 1996-UP	.080	2.03	C4157-080	CG10
	85MM BORE	.095" MLS-5 4G63 MOTOR 96-UP	.095	2.41	C4157-095	CG10
	86MM BORE	.027" MLS 4G63 MOTOR 96-UP	.027	0.69	C4156-027	CG7
	86MM BORE	.030" MLS 4G63 MOTOR 96-UP	.030	0.76	C4156-030	CG7

## GASKETS



Description	Fits bore size	Long description material (inch)	Thickness (inch)	Thickness (mm)	Stock code	pricecode
<b>MITSUBISHI</b>						
LANCER EVO4-8	86MM BORE	.036" MLS 4G63 MOTOR 96-UP	.036	0.91	C4156-036	CG7
	86MM BORE	.040" MLS 4G63 MOTOR 96-UP	.040	1.02	C4156-040	CG7
	86MM BORE	.045" MLS 4G63 MOTOR 96-UP	.045	1.14	C4156-045	CG7
	86MM BORE	.051" MLS 4G63 MOTOR 96-UP	.051	1.30	C4156-051	CG7
	86MM BORE	.060" MLS-5 LAYER 4G63 96-UP	.0660	1.52	C4156-060	CG9
	86MM BORE	.066" MLS-5 LAYER 4G63 96-UP	.066	1.68	C4156-066	CG9
	86MM BORE	.070" MLS-5 4G63 MOTOR 1996-UP	.070	1.78	C4156-070	CG9
	86MM BORE	.075" MLS-5 4G63 MOTOR 1996-UP	.075	1.91	C4156-075	CG9
	86MM BORE	.080" MLS-5 4G63 MOTOR 1996-UP	.080	2.03	C4156-080	CG10
	86MM BORE	.092" MLS-5 4G63 MOTOR 96-UP	.092	2.34	C4156-092	CG10
	86MM BORE	.095" MLS-5 4G63 MOTOR 96-UP	.095	2.41	C4156-095	CG10
	86MM BORE	.120" MLS 4G63 MOTOR 96-UP	.120	3.05	C4156-120	CG17
EVO X	88MM	.044" STOPPER HEAD GASKET	.044	1.12	C4483-044	CG9
	90MM	.044" STOPPER HEAD GASKET	.044	1.12	C4484-044	CG9
<b>NISSAN</b>						
300ZX 1990 UP	88MM	.030" MLS VG30DE/DETT 3L V6	.030	0.76	C4346-030	CG7
	88MM	.040" MLS VG30DE/DETT 3L V6	.040	1.02	C4346-040	CG7
	88MM	.045" MLS VG30DE/DETT 3L V6	.045	1.14	C4346-045	CG7
	88MM	.051" MLS VG30DE/DETT 3L V6	.051	1.30	C4346-051	CG7
	88MM	.056" MLS-5 VG30DE/DETT 3L V6	.056	1.42	C4346-056	CG9
	88MM	.060" MLS-5 VG30DE/DETT 3L V6	.060	1.52	C4346-060	CG9
	88MM	.062" MLS-5 VG30DE/DETT 3L V6	.062	1.57	C4346-062	CG9
	88MM	.066" MLS-5 VG30DE/DETT 3L V6	.066	1.68	C4346-066	CG9
	88MM	.075" MLS-5 VG30DE/DETT 3L V6	.075	1.91	C4346-075	CG9
	88MM	.080" MLS-5 VG30DE/DETT 3L V6	.070	2.03	C4346-080	CG10
	88MM	.098" MLS-5 VG30DE/DETT 3L V6	.098	2.49	C4346-098	CG10
	88MM	.120" MLS VG30DE/DETT 3L V6	.120	3.05	C4346-120	CG17
	90MM	.040" MLS VG30DE/DETT 3L V6	.040	1.02	C4347-040	CG7
	90MM	.045" MLS VG30DE/DETT 3L V6	.045	1.14	C4347-045	CG7
	90MM	.051" MLS VG30DE/DETT 3L V6	.051	1.30	C4347-051	CG7
	90MM	.086" MLS-5 VG30DE/DETT 3L V6	.086	2.18	C4347-086	CG10
	90MM	.060" MLS-5 VG30DE/DETT 3L V6	.060	1.52	C4347-060	CG9
	90MM	.066" MLS-5 VG30DE/DETT 3L V6	.066	1.68	C4347-066	CG9
	90MM	.075" MLS-5 VG30DE/DETT 3L V6	.075	1.91	C4347-075	CG9

## GASKETS



Description	Fits bore size	Long description material (inch)	Thickness (inch)	Thickness (mm)	Stock code	pricecode
<b>NISSAN</b>						
CA18 DOHC 1984-1987	85MM	SKYLINE, SUNNY 200SX .040" MLS	.040	1.02	C4480-040	CG8
	85MM	SKYLINE, SUNNY 200SX .045" MLS	.045	1.14	C4480-045	CG8
	85MM	SKYLINE, SUNNY 200SX .051" MLS	.051	1.30	C4480-051	CG8
	85MM	SKYLINE, SUNNY .060" MLS-5	.060	1.52	C4480-060	CG11
	85MM	SKYLINE, SUNNY .066" MLS-5	.066	1.68	C4480-066	CG11
	85MM	SKYLINE, SUNNY .070" MLS-5	.070	1.78	C4480-070	CG11
	85MM	SKYLINE, SUNNY .075" MLS-5	.075	1.91	C4480-075	CG11
	85MM	SKYLINE, SUNNY .080" MLS-5	.080	2.03	C4480-080	CG12
	85MM	SKYLINE, SUNNY .098" MLS-5	.098	2.49	C4480-098	CG12
CA18,CA20 SOHC 1984-1987	85MM	MAXIMA SILVIA 200SX .045" MLS	.045	1.14	C4479-045	CG8
	85MM	MAXIMA SILVIA 200SX .051" MLS	.051	1.30	C4479-051	CG8
FJ20E/ET 2L 16V	91MM	.070" MLS-5 HEAD	.070	1.78	C4327-070	CG10
	91MM	.075" MLS-5 HEAD	.075	1.91	C4327-075	CG10
	91MM	.098" MLS-5 HEAD	.098	2.49	C4327-098	CG11
	90MM	.040" MLS HEAD GASKET	.040	1.02	C4326-040	CG8
	90MM	.045" MLS HEAD GASKET	.045	1.14	C4326-045	CG8
	90MM	.051" MLS HEAD GASKET	.051	1.30	C4326-051	CG8
	91MM	.045" MLS HEAD GASKET	.045	1.14	C4327-045	CG8
	91MM	.051" MLS HEAD GASKET	.051	1.30	C4327-051	CG8
RB-20E/DE/DET 2.0L	80MM	.040" MLS GASKET,SKYLINE	.040	1.02	C4495-040	CG14
	80MM	.045" MLS GASKET,SKYLINE	.045	1.14	C4495-045	CG14
	80MM	.051" MLS GASKET,SKYLINE	.051	1.30	C4495-051	CG14
	80MM	.060" MLS-5 GASKET,SKYLINE	.060	1.52	C4495-060	CG16
	80MM	.075" MLS-5 GASKET,SKYLINE	.075	1.91	C4495-075	CG16
RB-25 6 CYL	86MM	.030" MLS HEAD GASKET	.030	0.76	C4317-030	CG14
	86MM	.040" MLS HEAD GASKET	.040	1.02	C4317-040	CG14
	86MM	.045" MLS HEAD GASKET	.045	1.14	C4317-045	CG14
	86MM	.051" MLS HEAD GASKET	.051	1.30	C4317-051	CG14
	86MM	.060" MLS-5 HEAD GASKET	.060	1.52	C4317-060	CG16
	86MM	.070" MLS-5 HEAD GASKET	.070	1.78	C4317-070	CG16
	86MM	.075" MLS-5 HEAD GASKET	.075	1.91	C4317-075	CG16
	86MM	.080" MLS-5 HEAD	.080	2.03	C4317-080	CG17
86MM	.092" MLS-5 HEAD	.092	2.34	C4317-092	CG17	

# GASKETS



Description	Fits bore size	Long description material (inch)	Thickness (inch)	Thickness (mm)	Stock code	pricecode
<b>NISSAN</b>						
RB-25 6 CYL	87MM	.030" MLS HEAD GASKET	.030	0.76	C4318-030	CG14
	87MM	.040" MLS HEAD GASKET	.040	1.02	C4318-040	CG14
	87MM	.045" MLS HEAD GASKET	.045	1.14	C4318-045	CG14
	87MM	.051" MLS HEAD GASKET	.051	1.30	C4318-051	CG14
	87MM	.060" MLS-5 HEAD GASKET	.060	1.52	C4318-060	CG16
	87MM	.066" MLS-5 HEAD GASKET	.066	1.68	C4318-066	CG16
	87MM	.070" MLS-5 HEAD	.070	1.78	C4318-070	CG16
	87MM	.075" MLS-5 HEAD GASKET	.075	1.91	C4318-075	CG16
	87MM	.080" MLS-5 HEAD	.080	2.03	C4318-080	CG17
RB-26 6 CYL	86MM	.030" MLS HEAD GASKET	.030	0.76	C4319-030	CG14
	86MM	.051" MLS HEAD GASKET	.051	1.30	C4319-051	CG14
	86MM	.060" MLS-5 HEAD GASKET	.060	1.52	C4319-060	CG16
	87MM	.030" MLS HEAD GASKET	.030	0.76	C4320-030	CG14
	87MM	.036" MLS HEAD GASKET	.036	0.91	C4320-036	CG14
	87MM	.040" MLS HEAD GASKET	.040	1.02	C4320-040	CG14
	87MM	.045" MLS HEAD GASKET	.045	1.14	C4320-045	CG14
	87MM	.051" MLS HEAD GASKET	.051	1.30	C4320-051	CG14
	87MM	.060" MLS-5 HEAD GASKET	.060	1.52	C4320-060	CG16
	87MM	.066" MLS-5 HEAD GASKET	.066	1.68	C4320-066	CG16
	87MM	.075" MLS-5 HEAD GASKET	.075	1.91	C4320-075	CG16
	87MM	.080" MLS-5 LAYER HEAD	.080	2.03	C4320-080	CG17
	88MM	.030" MLS HEAD GASKET	.030	0.76	C4321-030	CG14
	88MM	.040" MLS HEAD GASKET	.040	1.02	C4321-040	CG14
	88MM	.045" MLS HEAD GASKET	.045	1.14	C4321-045	CG14
	88MM	.051" MLS HEAD GASKET	.051	1.30	C4321-051	CG14
	88MM	.060" MLS-5 HEAD GASKET	.060	1.52	C4321-060	CG16
	88MM	.066" MLS-5 HEAD GASKET	.066	1.68	C4321-066	CG16
	88MM	.075" MLS-5 HEAD GASKET	.075	1.91	C4321-075	CG16
	88MM	.092" MLS-5 LAYER HEAD	.092	2.34	C4321-092	CG17
RB-30 6 CYL	86MM	.030" MLS HEAD GASKET	.030	0.76	C4322-030	CG14
	86MM	.051" MLS HEAD GASKET	.051	1.30	C4322-051	CG14
	87MM	.040" MLS HEAD GASKET	.040	1.02	C4323-040	CG14
	87MM	.045" MLS HEAD GASKET	.045	1.14	C4323-045	CG14
	87MM	.051" MLS HEAD GASKET	.051	1.30	C4323-051	CG14

# GASKETS



Description	Fits bore size	Long description material (inch)	Thickness (inch)	Thickness (mm)	Stock code	pricecode
<b>NISSAN</b>						
RB-30 6 CYL	87MM	.060" MLS-5 HEAD GASKET	.060	1.52	C4323-060	CG16
	87MM	.075" MLS-5 HEAD GASKET	.075	1.91	C4323-075	CG16
	87MM	.080" MLS-5 LAYER HEAD	.080	2.03	C4323-080	CG17
	87MM	.120" MLS HEAD GASKET	.120	3.05	C4323-120	CG19
SR20DE/DET	87.5MM S13	.030" MLS W/1 EXTRA OIL HOLE	.030	0.76	C4324-030	CG7
	87.5MM S13	.036" MLS W/1 EXTRA OIL HOLE	.036	0.91	C4324-036	CG7
	87.5MM S13	.040" MLS W/1 EXTRA OIL HOLE	.040	1.02	C4324-040	CG7
	87.5MM S13	.045" MLS W/1 EXTRA OIL HOLE	.045	1.14	C4324-045	CG7
	87.5MM S13	.051" MLS W/1 EXTRA OIL HOLE	.051	1.30	C4324-051	CG7
	87.5MM S13	.060" MLS-5 W/1 EXTRA OIL HOLE	.060	1.52	C4324-060	CG9
	87.5MM S13	.070" MLS-5 W/1 EXTRA OIL HOLE	.070	1.78	C4324-070	CG9
	87.5MM S13	.075" MLS-5 W/1 EXTRA OIL HOLE	.075	1.91	C4324-075	CG9
	87.5MM S13	.120" MLS W/1 EXTRA OIL HOLE	.120	3.05	C4324-120	CG17
	88.5MM FWD	.027 MLS W/ NO EXTRA OIL HOLES	.027	0.69	C4130-027	CG7
	88.5MM FWD	.030 MLS W/ NO EXTRA OIL HOLES	.030	0.76	C4130-030	CG7
	88.5MM FWD	.040 MLS W/ NO EXTRA OIL HOLES	.040	1.02	C4130-040	CG7
	88.5MM FWD	.045 MLS W/ NO EXTRA OIL HOLES	.045	1.14	C4130-045	CG7
	88.5MM FWD	.051 MLS W/ NO EXTRA OIL HOLES	.051	1.30	C4130-051	CG7
	88.5MM FWD	.060" MLS-5 W/ NO EXTRA OIL	.060	1.52	C4130-060	CG9
	88.5MM FWD	.066" MLS-5 W/ NO EXTRA OIL	.066	1.68	C4130-066	CG9
	88.5MM FWD	.070" MLS-5 W/ NO EXTRA OIL	.070	1.78	C4130-070	CG9
	88.5MM FWD	.075" MLS-5 W/ NO EXTRA OIL	.075	1.91	C4130-075	CG9
	88.5MM FWD	.080 MLS-5 W/ NO EXTRA OIL	.080	2.03	C4130-080	CG10
	88.5MM FWD	.098 MLS-5 W/ NO EXTRA OIL	.098	2.49	C4130-098	CG10
	88.5MM S14	.027 MLS W/BOTH ADD. OIL HOLES	.027	0.69	C4283-027	CG7
	88.5MM S14	.030 MLS W/BOTH ADD. OIL HOLES	.030	0.76	C4283-030	CG7
	88.5MM S14	.036 MLS W/BOTH ADD. OIL HOLES	.036	0.91	C4283-036	CG7
	88.5MM S14	.040 MLS W/BOTH ADD. OIL HOLES	.040	1.02	C4283-040	CG7
	88.5MM S14	.045 MLS W/BOTH ADD. OIL HOLES	.045	1.14	C4283-045	CG7
	88.5MM S14	.051 MLS W/BOTH ADD. OIL HOLES	.051	1.30	C4283-051	CG7
	88.5MM S14	.060 MLS-5 W/BOTH ADD OIL HOLE	.060	1.52	C4283-060	CG9
	88.5MM S14	.066 MLS-5 BOTH ADD OIL HOLES	.066	1.68	C4283-066	CG9
	88.5MM S14	.075" MLS-5 BOTH ADD OIL HOLES	.075	1.91	C4283-075	CG9
	88.5MM S14	.080 MLS-5 BOTH ADD OIL HOLES	.080	2.03	C4283-080	CG10

## GASKETS



Description	Fits bore size	Long description material (inch)	Thickness (inch)	Thickness (mm)	Stock code	pricecode
<b>NISSAN</b>						
SR20DET GTiR AWD	87.5MM	.040" MLS HEAD GASKET	.040	1.02	C4543-040	CG7
	87.5MM	.045" MLS HEAD GASKET	.045	1.14	C4543-045	CG7
	87.5MM	.051" MLS HEAD GASKET	.051	1.30	C4543-051	CG7
	87.5MM	.120" MLS HEAD GASKET	.120	3.05	C4543-120	CG17
VQ30/VQ35 V6	100MM 030"MLS	02-UP H/G PAIR LH & RH	.030	0.76	C4531	CG15
	100MM LH	.030" MLS HEAD GASKET 02'- UP	.030	0.76	C4343-030	CG7
	100MM LH	.040" MLS HEAD GASKET 02'- UP	.040	1.02	C4343-040	CG7
	100MM LH	.051" MLS HEAD GASKET 02'- UP	.051	1.30	C4343-051	CG7
	100MM LH	.060" MLS-5 HEAD GASKET 02- UP	.060	1.52	C4343-060	CG9
	100MM RH	.030" MLS HEAD GASKET 02'- UP	.030	0.76	C4363-030	CG7
	100MM RH	.040" MLS HEAD GASKET 02'- UP	.040	1.02	C4363-040	CG7
	100MM RH	.051" MLS HEAD GASKET 02'- UP	.051	1.30	C4363-051	CG7
	100MM RH	.060" MLS 5 LAYER 02'- UP	.060	1.52	C4363-060	CG9
	101.5MM LH	.030" MLS HEAD GASKET 02'- UP	.030	0.76	C4381-030	CG7
	101.5MM LH	.040" MLS HEAD GASKET 02'- UP	.040	1.02	C4381-040	CG7
	101.5MM RH	.030" MLS HEAD GASKET 02'- UP	.030	0.76	C4380-030	CG7
	101.5MM RH	.040" MLS HEAD GASKET 02'- UP	.040	1.02	C4380-040	CG7
	96MM 030"MLS	02-UP H/G PAIR LH & RH	.030	0.76	C4533	CG15
	96MM LH	.030" MLS HEAD GASKET 02'- UP	.030	0.76	C4345-030	CG7
	96MM LH	.040" MLS HEAD GASKET 02'- UP	.040	1.02	C4345-040	CG7
	96MM LH	.045" MLS HEAD GASKET 02'- UP	.045	1.14	C4345-045	CG7
	96MM LH	.051" MLS HEAD GASKET 02'- UP	.051	1.30	C4345-051	CG7
	96MM LH	.060" MLS-5 HEAD GASKET 02- UP	.060	1.52	C4345-060	CG9
	96MM LH	.080" MLS-5 HEAD GASKET 02- UP	.080	2.03	C4345-080	CG13
	96MM RH	.030" MLS HEAD GASKET 02'- UP	.030	0.76	C4361-030	CG7
	96MM RH	.040" MLS HEAD GASKET 02'- UP	.040	1.02	C4361-040	CG7
	96MM RH	.045" MLS HEAD GASKET 02'- UP	.045	1.14	C4361-045	CG7
	96MM RH	.051" MLS HEAD GASKET 02'- UP	.051	1.30	C4361-051	CG7
	96MM RH	.060" MLS-5 HEAD GASKET 02- UP	.060	1.52	C4361-060	CG9
	96MM RH	.080" MLS-5 HEAD GASKET 02- UP	.080	2.03	C4361-080	CG13
	97MM LH	.027" MLS HEAD GASKET 02'- UP	.027	0.69	C4509-027	CG7
	97MM RH	.027" MLS HEAD GASKET 02'- UP	.027	0.69	C4510-027	CG7
	98MM 030"MLS	02-UP H/G PAIR LH & RH	.030	0.76	C4532	CG15
	98MM LH	.030" MLS HEAD GASKET 02'- UP	.030	0.76	C4344-030	CG7
	98MM LH	.040" MLS HEAD GASKET 02'- UP	.040	1.02	C4344-040	CG7



# GASKETS



Description	Fits bore size	Long description material (inch)	Thickness (inch)	Thickness (mm)	Stock code	pricecode
<b>NISSAN</b>						
VQ30/VQ35 V6	98MM LH	.045" MLS HEAD GASKET 02'- UP	.045	1.14	C4344-045	CG7
	98MM LH	.060" MLS-5 HEAD GASKET 02- UP	.060	1.52	C4344-060	CG9
	98MM LH	.075" MLS-5 HEAD GASKET 02- UP	.075	1.91	C4344-075	CG9
	98MM LH	.120" MLS HEAD GASKET 02'- UP	.120	3.05	C4344-120	CG18
	98MM RH	.030" MLS HEAD GASKET 02'- UP	.030	0.76	C4362-030	CG7
	98MM RH	.040" MLS HEAD GASKET 02'- UP	.040	1.02	C4362-040	CG7
	98MM RH	.045" MLS HEAD GASKET 02'- UP	.045	1.14	C4362-045	CG7
	98MM RH	.060" MLS-5 HEAD GASKET 02- UP	.060	1.52	C4362-060	CG9
	98MM RH	.075" MLS-5 HEAD GASKET 02- UP	.075	1.91	C4362-075	CG9
	98MM RH	.120" MLS HEAD GASKET 02'- UP	.120	3.05	C4362-120	CG18
<b>OPEL</b>						
ASCONA,KADETT 2.0L	97MM	.040" MLS, CIH/S,CIH/E ENGINE	.040	1.02	C4512-040	CG13
	97MM	.051" MLS, CIH/S,CIH/E ENGINE	.051	1.30	C4512-051	CG13
	97MM	.060" MLS-5 CIH/S,CIH/E ENGINE	.060	1.52	C4512-060	CG15
	97MM	.080" MLS-5 CIH/S,CIH/E ENGINE	.080	2.03	C4512-080	CG15
<b>PEUGEOT</b>						
PEUG 306GTI	86.5MM	.040" MLS- XU10J4RS MOTOR	.040	1.02	C4520-040	CG8
	86.5MM	.045" MLS- XU10J4RS MOTOR	.045	1.14	C4520-045	CG8
	86.5MM	.051" MLS- XU10J4RS MOTOR	.051	1.30	C4520-051	CG8
	88MM	.040" MLS- XU10J4RS MOTOR	.040	1.02	C4521-040	CG8
	88MM	.045" MLS- XU10J4RS MOTOR	.045	1.14	C4521-045	CG8
	88MM	.051" MLS- XU10J4RS MOTOR	.051	1.30	C4521-051	CG8
PEUG P405 M-16	84MM	.040" MLS HEAD GASKET	.040	1.02	C4225-040	CG8
	84MM	.051" MLS HEAD GASKET	.051	1.30	C4225-051	CG8
	84MM	.060" MLS-5 HEAD GASKET	.060	1.52	C4225-060	CG10
	84MM	.066" MLS-5 HEAD GASKET	.066	1.68	C4225-066	CG10
	84MM	.054" MLS 5 LAYER GASKET	.054	1.37	C4225-054	CG11
	84MM	.120" MLS HEAD GASKET	.120	3.05	C4225-120	CG17
	85MM	.027" MLS HEAD GASKET	.027	0.69	C4226-027	CG8
	85MM	.051" MLS HEAD GASKET	.051	1.30	C4226-051	CG8
	85MM	.066" MLS-5 HEAD GASKET	.066	1.68	C4226-066	CG10
	85MM	.120" MLS HEAD GASKET	.120	3.05	C4226-120	CG17
	86.5MM	.027" MLS HEAD GASKET	.027	0.69	C4227-027	CG8
	86.5MM	.040" MLS HEAD GASKET	.040	1.02	C4227-040	CG8
	86.5MM	.051" MLS HEAD GASKET	.051	1.30	C4227-051	CG8

## GASKETS



Description	Fits bore size	Long description material (inch)	Thickness (inch)	Thickness (mm)	Stock code	pricecode
<b>PEUGEOT</b>						
PEUG P405 M-16	86.5MM	.060" MLS-5 HEAD GASKET	.060	1.52	C4227-060	CG10
	86.5MM	.070" MLS-5 HEAD GASKET	.070	1.78	C4227-070	CG10
	86.5MM	.075" MLS-5 HEAD GASKET	.075	1.91	C4227-075	CG10
	86.5MM	.140" MLS-5 HEAD GASKET	.140	3.56	C4227-140	CG17
	88MM	.040" MLS HEAD GASKET	.040	1.02	C4228-040	CG8
	88MM	.045" MLS HEAD GASKET	.045	1.14	C4228-045	CG8
	88MM	.051" MLS HEAD GASKET	.051	1.30	C4228-051	CG8
	88MM	.120" MLS HEAD GASKET	.120	3.05	C4228-120	CG17
	88MM	.060" MLS-5 HEAD GASKET	.060	1.52	C4228-060	CG10
	88MM	.070" MLS-5 HEAD GASKET	.070	1.78	C4228-070	CG10
106 16V 1997-2005	79MM	.027" MLS 1.6L TU5J4 MOTOR	.027	0.69	C4493-027	CG8
	79MM	.030" MLS 1.6L TU5J4 MOTOR	.030	0.76	C4493-030	CG8
	79MM	.040" MLS 1.6L TU5J4 MOTOR	.040	1.02	C4493-040	CG8
	79MM	.051" MLS 1.6L TU5J4 MOTOR	.051	1.30	C4493-051	CG8
	79MM	.060" MLS-5 1.6L TU5J4 MOTOR	.060	1.52	C4493-060	CG10
	79MM	.066" MLS-5 1.6L TU5J4 MOTOR	.066	1.68	C4493-066	CG10
	79MM	.075" MLS-5 1.6L TU5J4 MOTOR	.075	1.91	C4493-075	CG10
	79MM	.080" MLS-5 1.6L TU5J4 MOTOR	.080	2.03	C4493-080	CG11
	79MM	.086" MLS-5 1.6L TU5J4 MOTOR	.086	2.18	C4493-086	CG11
	79MM	.098" MLS-5 1.6L TU5J4 MOTOR	.098	2.49	C4493-098	CG11
	<b>PORSCHE</b>					
POR 996TT 3.6L 01-04	102MM	.040" MLS HEAD GASKET	.040	1.02	C4492-040	CG7
944 2.5L	100.5MM	.027" MLS HEAD GASKET	.027	0.69	C4272-027	CG7
	100.5MM	.030" MLS HEAD GASKET	.030	0.76	C4272-030	CG7
	100.5MM	.036" MLS HEAD GASKET	.036	0.91	C4272-036	CG7
	100.5MM	.040" MLS HEAD GASKET	.040	1.02	C4272-040	CG7
	100.5MM	.045" MLS HEAD GASKET	.045	1.14	C4272-045	CG7
	100.5MM	.051" MLS HEAD GASKET	.051	1.30	C4272-051	CG7
	100.5MM	.060" MLS-5 HEAD GASKET	.060	1.52	C4272-060	CG9
	100.5MM	.066" MLS-5 GASKET	.066	1.68	C4272-066	CG9
	100.5MM	.075" MLS-5 HEAD GASKET	.075	1.91	C4272-075	CG9
	100.5MM	.080" MLS 5-LAYER	.080	2.03	C4272-080	CG10
	103MM	.040" MLS HEAD GASKET	.040	1.02	C4273-040	CG7
	103MM	.045" MLS HEAD GASKET	.045	1.14	C4273-045	CG7
	103MM	.051" MLS HEAD GASKET	.051	1.30	C4273-051	CG7
	103MM	.060" MLS-5 HEAD GASKET	.060	1.52	C4273-060	CG9

## GASKETS



Description	Fits bore size	Long description material (inch)	Thickness (inch)	Thickness (mm)	Stock code	pricecode	
<b>RENAULT</b>							
CLIO 16V 1.8/2.0	83MM	.027" MLS HEAD F4P / F4R MOTOR	.027	0.69	C4518-027	CG8	
	83MM	.030" MLS HEAD F4P / F4R MOTOR	.030	0.76	C4518-030	CG8	
	83MM	.040" MLS HEAD F4P / F4R MOTOR	.040	1.02	C4518-040	CG8	
	83MM	.051" MLS HEAD F4P / F4R MOTOR	.051	1.30	C4518-051	CG8	
	83MM	.040" MLS ,89-99' F7P/F7R MOTR	.040	1.02	C4539-040	CG8	
	83MM	.051" MLS ,89-99' F7P/F7R MOTR	.051	1.30	C4539-051	CG8	
	83MM	.060" MLS-5 F4P/ F4R MOTOR	.060	1.52	C4518-060	CG10	
	83MM	.075" MLS-5 F4P/ F4R MOTOR	.075	1.91	C4518-075	CG10	
	83MM	.060" MLS-5 ,89-99' F7P/F7R	.060	1.52	C4539-060	CG10	
	83MM	.075" MLS-5 ,89-99' F7P/F7R	.075	1.91	C4539-075	CG10	
	83MM	.098" MLS-5 ,89-99' F7P/F7R	.098	2.49	C4539-098	CG11	
	84MM	.036" MLS ,89-99' F7P/F7R MOTR	.036	0.91	C4540-036	CG8	
	84MM	.040" MLS ,89-99' F7P/F7R MOTR	.040	1.02	C4540-040	CG8	
	84MM	.045" MLS ,89-99' F7P/F7R MOTR	.045	1.14	C4540-045	CG8	
	84MM	.051" MLS ,89-99' F7P/F7R MOTR	.051	1.30	C4540-051	CG8	
	84MM	.060" MLS-5 ,89-99' F7P/F7R	.060	1.52	C4540-060	CG10	
	84MM	.066" MLS-5 ,89-99' F7P/F7R	.066	1.68	C4540-066	CG10	
	84MM	.070" MLS-5 ,89-99' F7P/F7R	.070	1.78	C4540-070	CG10	
	84MM	.075" MLS-5 ,89-99' F7P/F7R	.075	1.91	C4540-075	CG10	
	84MM	.086" MLS-5 ,89-99' F7P/F7R	.086	2.18	C4540-086	CG11	
	84.5MM	.030" MLS HEAD F4P / F4R MOTOR	.030	0.76	C4519-030	CG8	
	84.5MM	.040" MLS HEAD F4P / F4R MOTOR	.040	1.02	C4519-040	CG8	
	84.5MM	.051" MLS HEAD F4P / F4R MOTOR	.051	1.30	C4519-051	CG8	
	84.5MM	.060" MLS-5 F4P/ F4R MOTOR	.060	1.52	C4519-060	CG10	
	84.5MM	.070" MLS-5 F4P/ F4R MOTOR	.070	1.78	C4519-070	CG10	
	84.5MM	.075" MLS-5 F4P/ F4R MOTOR	.075	1.91	C4519-075	CG10	
	<b>SUBARU</b>						
	SUB EJ20 MOTOR	103MM	.040" MLS GASKET SOHC 16V	.040	1.02	C4360-040	CG2
103MM		.051" MLS GASKET SOHC 16V	.051	1.30	C4360-051	CG2	
103MM		.060" MLS-5 GASKET SOHC 16V	.060	1.52	C4360-060	CG4	
SUB EJ20EN MOTOR	93MM	.027" MLS GASKET SOHC 16V	.027	0.69	C4260-027	CG2	
	93MM	.040" MLS GASKET SOHC 16V	.040	1.02	C4260-040	CG2	
	93MM	.045" MLS GASKET SOHC 16V	.045	1.14	C4260-045	CG2	
	93MM	.051" MLS GASKET SOHC 16V	.051	1.30	C4260-051	CG2	
	93MM	.060" MLS-5 GASKET SOHC 16V	.060	1.52	C4260-060	CG4	
	93MM	.080" MLS-5 GASKET SOHC 16V	.080	2.03	C4260-080	CG5	

## GASKETS



Description	Fits bore size	Long description material (inch)	Thickness (inch)	Thickness (mm)	Stock code	pricecode
<b>SUBARU</b>						
SUB EJ20GN TURBO	93MM	.027" MLS GSK-DOHC 16V TURBO	.027	0.69	C4261-027	CG2
	93MM	.030" MLS GSK-DOHC 16V TURBO	.030	0.76	C4261-030	CG2
	93MM	.036" MLS GSK-DOHC 16V TURBO	.036	0.91	C4261-036	CG2
	93MM	.040" MLS GSK-DOHC 16V TURBO	.040	1.02	C4261-040	CG2
	93MM	.045" MLS GSK-DOHC 16V TURBO	.045	1.14	C4261-045	CG2
	93MM	.051" MLS GSK-DOHC 16V TURBO	.051	1.30	C4261-051	CG2
	93MM	.060" MLS-5 GSK-DOHC 16V TURBO	.060	1.52	C4261-060	CG4
	93MM	.066" MLS-5 GSK-DOHC 16V TURBO	.066	1.68	C4261-066	CG4
	93MM	.070" MLS-5 GSK-DOHC 16V TURBO	.070	1.78	C4261-070	CG4
	93MM	.075" MLS-5 GSK-DOHC 16V TURBO	.075	1.91	C4261-075	CG4
	93MM	.080" MLS-5 GSK-DOHC 16V TURBO	.080	2.03	C4261-080	CG5
	93MM	.086" MLS-5 GSK-DOHC 16V TURBO	.086	2.18	C4261-086	CG5
	93MM	.095" MLS-5 GSK-DOHC 16V TURBO	.095	2.41	C4261-095	CG5
SUB EJ22E MOTOR	98MM	.027" MLS GASKET SOHC 16V	.027	0.69	C4262-027	CG2
	98MM	.030" MLS GASKET SOHC 16V	.030	0.76	C4262-030	CG2
	98MM	.040" MLS GASKET SOHC 16V	.040	1.02	C4262-040	CG2
	98MM	.051" MLS GASKET SOHC 16V	.051	1.30	C4262-051	CG2
SUB EJ22E TURBO	98MM	.027" MLS GASKET SOHC 16V	.027	0.69	C4263-027	CG2
	98MM	.030" MLS GASKET SOHC 16V	.030	0.76	C4263-030	CG2
	98MM	.036" MLS GASKET SOHC 16V	.036	0.91	C4263-036	CG2
	98MM	.040" MLS GASKET SOHC 16V	.040	1.02	C4263-040	CG2
	98MM	.045" MLS GASKET SOHC 16V	.045	1.14	C4263-045	CG2
	98MM	.051" MLS GSK SOHC 16V TURBO	.051	1.30	C4263-051	CG2
	98MM	.060" MLS-5 GASKET SOHC	.060	1.52	C4263-060	CG4
	98MM	.066" MLS-5 GASKET SOHC	.066	1.68	C4263-066	CG4
	98MM	.075" MLS-5 GASKET SOHC	.075	1.91	C4263-075	CG4
	98MM	.120" MLS GASKET SOHC 16V	.120	3.05	C4263-120	CG9
SUB EJ25 MOTOR	100MM	.027" MLS GASKET DOHC 16V	.027	0.69	C4264-027	CG2
	100MM	.030" MLS GASKET DOHC 16V	.030	0.76	C4264-030	CG2
	100MM	.036" MLS GASKET DOHC 16V	.036	0.91	C4264-036	CG2
	100MM	.040" MLS GASKET DOHC 16V	.040	1.02	C4264-040	CG2
	100MM	.045" MLS GASKET DOHC 16V	.045	1.14	C4264-045	CG2
	100MM	.051" MLS GASKET DOHC 16V	.051	1.30	C4264-051	CG2
	100MM	.056" MLS-5 GASKET DOHC 16V	.056	1.42	C4264-056	CG4
	100MM	.060" MLS-5 GASKET DOHC 16V	.060	1.52	C4264-060	CG4
	100MM	.066" MLS-5 GASKET DOHC 16V	.066	1.68	C4264-066	CG4

# GASKETS



Description	Fits bore size	Long description material (inch)	Thickness (inch)	Thickness (mm)	Stock code	pricecode	
<b>SUBARU</b>							
SUB EJ25 MOTOR	100MM	.070" MLS-5 GASKET DOHC 16V	.070	1.78	C4264-070	CG4	
	100MM	.075" MLS-5 GASKET DOHC 16V	.075	1.91	C4264-075	CG4	
	100MM	.080" MLS-5 GASKET DOHC 16V	.080	2.03	C4264-080	CG5	
	100MM	.098" MLS-5 GASKET DOHC 16V	.098	2.49	C4264-098	CG5	
	100MM	.120" MLS GASKET DOHC 16V	.120	3.05	C4264-120	CG9	
<b>TOYOTA</b>							
1.6L 2T.2TC.3T.3T-EU	87MM	.027" MLS CELICA,CAMRY,COROLLA	.027	6.86	C4258-027	CG7	
	87MM	.030" MLS CELICA,CAMRY,COROLLA	.030	0.76	C4258-030	CG7	
	87MM	.045" MLS CELICA,CAMRY,COROLLA	.045	1.14	C4258-045	CG7	
	87MM	.051" MLS CELICA,CAMRY,COROLLA	.051	1.30	C4258-051	CG7	
	87MM	.060"MLS-5 CELICA,CAMRY,COROLLA	.060	1.52	C4258-060	CG9	
	87MM	.066"MLS-5 CELICA,CAMRY,COROLLA	.066	1.68	C4258-066	CG9	
	87MM	.075" MLS-5 GASKET	.075	1.91	C4258-075	CG9	
	87MM	.080"MLS-5 CELICA,CAMRY,COROLLA	.080	2.03	C4258-080	CG10	
	87MM	.086"MLS-5 CELICA,CAMRY,COROLLA	.086	2.18	C4258-086	CG10	
	87MM	.120" MLS CELICA,CAMRY,COROLLA	.120	3.05	C4258-120	CG17	
	87MM	.140" MLS CELICA,CAMRY,COROLLA	.140	3.56	C4258-140	CG17	
	89MM	.060" MLS-5 CELICA,COROLLA	.060	1.52	C4176-060	CG9	
	89MM	.070" MLS-5 CELICA,COROLLA	.070	1.78	C4176-070	CG9	
	89MM	.075" MLS-5 CELICA,COROLLA	.075	1.91	C4176-075	CG9	
	89MM	.080" MLS-5 CELICA,COROLLA	.080	2.03	C4176-080	CG10	
	89MM	.098" MLS-5 CELICA,COROLLA	.098	2.49	C4176-098	CG10	
	87MM	.040" MLS CELICA,CAMRY,COROLLA	.040	1.02	C4258-040	CG7	
	89MM	.027" MLS HEAD GASKET	.027	0.69	C4176-027	CG7	
	89MM	.030" MLS HEAD GASKET	.030	0.76	C4176-030	CG7	
	89MM	.040" MLS HEAD GASKET	.040	1.02	C4176-040	CG7	
	89MM	.045" MLS HEAD GASKET	.045	1.14	C4176-045	CG7	
	89MM	.051" MLS HEAD GASKET	.051	1.30	C4176-051	CG7	
	89MM	.120" MLS HEAD GASKET	.120	3.05	C4176-120	CG17	
	1ZZFE 1.8L 1999 UP	80MM	.027" MLS MR2,CELICA,COROLLA	.027	0.69	C4496-027	CG7
		80MM	.030" MLS MR2,CELICA,COROLLA	.030	0.76	C4496-030	CG7
		80MM	.036" MLS MR2,CELICA,COROLLA	.036	0.91	C4496-036	CG7
80MM		.040" MLS MR2,CELICA,COROLLA	.040	1.02	C4496-040	CG7	
80MM		.045" MLS MR2,CELICA,COROLLA	.045	1.14	C4496-045	CG7	
80MM		.051" MLS MR2,CELICA,COROLLA	.051	1.30	C4496-051	CG7	
80MM		.060" MLS-5 MR2,CELICA,COROLLA	.060	1.52	C4496-060	CG9	

## GASKETS



Description	Fits bore size	Long description material (inch)	Thickness (inch)	Thickness (mm)	Stock code	pricecode
<b>TOYOTA</b>						
1ZZFE 1.8L 1999 UP	82MM	.027" MLS MR2,CELICA,COROLLA	.027	0.69	C4497-027	CG7
	82MM	.036" MLS MR2,CELICA,COROLLA	.036	0.91	C4497-036	CG7
	82MM	.040" MLS MR2,CELICA,COROLLA	.040	1.02	C4497-040	CG7
	82MM	.045" MLS MR2,CELICA,COROLLA	.045	1.14	C4497-045	CG7
	82MM	.060" MLS-5 MR2,CELICA,COROLLA	.060	1.52	C4497-060	CG9
	82MM	.075" MLS-5 MR2,CELICA,COROLLA	.075	1.91	C4497-075	CG9
2.4L 22R MOTOR	92MM BORE	.120" MLS HEAD GASKET	.120	3.05	C4268-120	CG17
	95MM BORE	.027" MLS HEAD GASKET	.027	0.69	C4269-027	CG7
	95MM BORE	.070" MLS-5 HEAD GASKET	.070	1.78	C4269-070	CG9
	95MM BORE	.075" MLS-5 HEAD GASKET	.075	1.91	C4269-075	CG9
	95MM BORE	.080" MLS-5 HEAD GASKET	.080	2.03	C4269-080	CG10
	95MM BORE	.086" MLS-5 HEAD GASKET	.086	2.18	C4269-086	CG10
	95MM BORE	.095" MLS-5 HEAD GASKET	.095	2.41	C4269-095	CG10
	95MM BORE	.120" MLS HEAD GASKET	.120	3.05	C4269-120	CG17
20R/22R MOTOR	92MM BORE	.027" MLS HEAD GASKET 2.2/2.4L	.027	0.69	C4268-027	CG7
	92MM BORE	.040" MLS HEAD GASKET 2.2/2.4L	.040	1.02	C4268-040	CG7
	92MM BORE	.051" MLS HEAD GASKET 2.2/2.4L	.051	1.30	C4268-051	CG7
	95MM BORE	.030" MLS HEAD GASKET 2.2/2.4L	.030	0.76	C4269-030	CG7
	95MM BORE	.036" MLS HEAD GASKET 2.2/2.4L	.036	0.91	C4269-036	CG7
	95MM BORE	.040" MLS HEAD GASKET 2.2/2.4L	.040	1.02	C4269-040	CG7
	95MM BORE	.051" MLS HEAD GASKET 2.2/2.4L	.051	1.30	C4269-051	CG7
	95MM BORE	.060" MLS-5 HEAD GASKET	.060	1.52	C4269-060	CG9
	95MM BORE	.066" MLS-5 HEAD GASKET	.066	1.68	C4269-066	CG9
2AZ FE 2.4L	89MM	.027" MLS HEAD GASKET	.027	0.69	C4507-027	CG7
	89MM	.030" MLS HEAD GASKET	.030	0.76	C4507-030	CG7
	89MM	.040" MLS HEAD GASKET	.040	1.02	C4507-040	CG7
	89MM	.051" MLS HEAD GASKET	.051	1.30	C4507-051	CG7
	92MM	.027" MLS HEAD GASKET	.027	0.69	C4506-027	CG7
	89MM BORE	.060" MLS-5 HEAD GASKET	.060	1.52	C4507-060	CG9
2TG	87MM BORE	.043" CFM-20 HEAD GASKET	.043	1.09	C4108-043	CG6
	87MM BORE	.059" CFM-20 HEAD GASKET	.059	1.50	C4108-059	CG6
4AG-GE	81MM BORE	.027" MLS HEAD GASKET	.027	0.69	C4170-027	CG7
	81MM BORE	.030" MLS HEAD GASKET	.030	0.76	C4170-030	CG7
	81MM BORE	.036" MLS HEAD GASKET	.036	0.91	C4170-036	CG7
	81MM BORE	.040" MLS HEAD GASKET	.040	1.02	C4170-040	CG7
	81MM BORE	.045" MLS HEAD GASKET	.045	1.14	C4170-045	CG7

# GASKETS



Description	Fits bore size	Long description material (inch)	Thickness (inch)	Thickness (mm)	Stock code	pricecode
<b>TOYOTA</b>						
4AG-GE	81MM BORE	.051" MLS HEAD GASKET	.051	1.30	C4170-051	CG7
	81MM BORE	.056" MLS-5 HEAD GASKET	.056	1.42	C4170-056	CG9
	81MM BORE	.060" MLS-5 HEAD GASKET	.060	1.52	C4170-060	CG9
	81MM BORE	.066" MLS-5 HEAD GASKET	.066	1.68	C4170-066	CG9
	81MM BORE	.075" MLS-5 HEAD GASKET	.075	1.91	C4170-075	CG9
	81MM BORE	.080" MLS-5 HEAD GASKET	.080	2.03	C4170-080	CG10
	81MM BORE	.098" MLS-5 HEAD GASKET	.098	2.49	C4170-098	CG10
	81MM BORE	.120" MLS HEAD GASKET	.120	3.05	C4170-120	CG17
	83MM	.040" MLS HEAD GASKET	.040	1.02	C4166-040	CG7
	83MM	.045" MLS HEAD GASKET	.045	1.14	C4166-045	CG7
	83MM	.051" MLS HEAD GASKET	.051	1.30	C4166-051	CG7
	83MM BORE	.027" MLS HEAD GASKET	.027	0.69	C4166-027	CG7
	83MM BORE	.030" MLS HEAD GASKET	.030	0.76	C4166-030	CG7
	83MM BORE	.036" MLS HEAD GASKET	.036	0.91	C4166-036	CG7
	83MM BORE	.060" MLS-5 HEAD GASKET	.060	1.52	C4166-060	CG9
	83MM BORE	.066" MLS-5 HEAD GASKET	.066	1.68	C4166-066	CG9
	83MM BORE	.070" MLS-5 HEAD GASKET	.070	1.78	C4166-070	CG9
	83MM BORE	.075" MLS-5 HEAD GASKET	.075	1.91	C4166-075	CG10
	83MM BORE	.080" MLS-5 HEAD GASKET	.080	2.03	C4166-080	CG10
	83MM BORE	.098" MLS-5 HEAD GASKET	.098	2.49	C4166-098	CG10
83MM BORE	.120" MLS HEAD GASKET	.120	3.05	C4166-120	CG17	
TOY/LEXUS SUPRA 1993 UP	87MM	.027" MLS 2JZ MOTOR	.027	0.69	C4276-027	CG14
	87MM	.036" MLS 2JZ MOTOR	.036	0.91	C4276-036	CG14
	87MM	.040" MLS 2JZ MOTOR	.040	1.02	C4276-040	CG14
	87MM	.045" MLS 2JZ MOTOR	.045	1.14	C4276-045	CG14
	87MM	.051" 3 LAYER MLS 2JZ MOTOR	.051	1.30	C4276-051	CG14
	87MM	.060" MLS-5 2JZ MOTOR	.060	1.52	C4276-060	CG16
	87MM	.062" MLS-5 2JZ MOTOR	.062	1.57	C4276-062	CG16
	87MM	.066" MLS-5 2JZ MOTOR	.066	1.68	C4276-066	CG16
	87MM	.070" MLS-5 2JZ MOTOR	.070	1.78	C4276-070	CG16
	87MM	.075" MLS-5 2JZ MOTOR	.075	1.91	C4276-075	CG16
	87MM	.077" MLS-5 2JZ MOTOR	.077	1.96	C4276-077	CG17
	87MM	.080" MLS-5 2JZ MOTOR	.080	2.03	C4276-080	CG17

# GASKETS



Description	Fits bore size	Long description material (inch)	Thickness (inch)	Thickness (mm)	Stock code	pricecode
<b>TOYOTA</b>						
TOY/LEXUS SUPRA 1993 UP	87MM	.092" MLS-5 2JZ MOTOR	.092	2.34	C4276-092	CG17
	87MM	.095" MLS-5 2JZ MOTOR	.095	2.41	C4276-095	CG17
	87MM	.098" MLS-5 2JZ MOTOR	.098	2.49	C4276-098	CG17
	87MM	.120"MLS 2JZ MOTOR	.120	3.05	C4276-120	CG19
1GR-FE 4.0L V6 RHS	95.5MM	.027" MLS BORE H/G	.027	0.69	C4557-027	CG7
	95.5MM	.040" MLS BORE H/G	.040	1.02	C4557-040	CG7
	95.5MM	.051" MLS BORE H/G	.051	1.30	C4557-051	CG7
3S-GE/3S-GTE	87MM 87-97	.030" MLS HEAD GASKET	.030	0.76	C4314-030	CG7
	87MM 87-97	.036" MLS HEAD GASKET	.036	0.91	C4314-036	CG7
	87MM 87-97	.040" MLS HEAD GASKET	.040	1.02	C4314-040	CG7
	87MM 87-97	.045" MLS HEAD GASKET	.045	1.14	C4314-045	CG7
	87MM 87-97	.051" MLS HEAD GASKET	.051	1.30	C4314-051	CG7
	87MM 87-97	.056" MLS-5 HEAD GASKET	.056	1.42	C4314-056	CG9
	87MM 87-97	.060" MLS-5 HEAD GASKET	.060	1.52	C4314-060	CG9
	87MM 87-97	.062" MLS-5 HEAD GASKET	.062	1.57	C4314-062	CG9
	87MM 87-97	.066" MLS-5 HEAD GASKET	.066	1.68	C4314-066	CG9
	87MM 87-97	.070" MLS-5 HEAD GASKET	.070	1.78	C4314-070	CG9
	87MM 87-97	.075" MLS-5 HEAD GASKET	.075	1.91	C4314-075	CG9
	87MM 87-97	.080" MLS-5 HEAD GASKET	.080	2.03	C4314-080	CG10
	87MM 87-97	.086" MLS-5 HEAD GASKET	.086	2.18	C4314-086	CG10
	87MM 87-97	.120" MLS HEAD GASKET	.120	3.05	C4314-120	CG17
SUPRA 1987-1992	84MM	.030" MLS 7MGTE MOTOR	.030	0.76	C4278-030	CG14
	84MM	.036" MLS 7MGTE MOTOR	.036	0.91	C4278-036	CG14
	84MM	.040" MLS 7MGTE MOTOR	.040	1.02	C4278-040	CG14
	84MM	.051" MLS 7MGTE MOTOR	.051	1.30	C4278-051	CG14
	84MM	.056" MLS-5 7MGTE MOTOR	.056	1.42	C4278-056	CG16
	84MM	.060" MLS-5 7MGTE MOTOR	.060	1.52	C4278-060	CG16
	84MM	.062" MLS-5 7MGTE MOTOR	.062	1.57	C4278-062	CG16
	84MM	.066" MLS-5 7MGTE MOTOR	.066	1.68	C4278-066	CG16
	84MM	.070" MLS-5 7MGTE MOTOR	.070	1.78	C4278-070	CG16
	84MM	.075" MLS-5 7MGTE MOTOR	.075	1.91	C4278-075	CG16
	84MM	.080" MLS-5 7MGTE MOTOR	.080	2.03	C4278-080	CG17
	84MM	.086" MLS-5 7MGTE MOTOR	.086	2.18	C4278-086	CG17



## GASKETS



Description	Fits bore size	Long description material (inch)	Thickness (inch)	Thickness (mm)	Stock code	pricecode
<b>TOYOTA</b>						
SUPRA 1987-1992	84MM	.095" MLS-5 7MGTE MOTOR	.095	2.41	C4278-095	CG17
	84MM	.120" MLS 7MGTE MOTOR	.120	3.05	C4278-120	CG19
	86MM	.051" MLS 7MGTE MOTOR	.051	1.30	C4275-051	CG14
	86MM	.060" MLS-5 7MGTE MOTOR	.060	1.52	C4275-060	CG16
	86MM	.066" MLS-5 7MGTE MOTOR	.066	1.68	C4275-066	CG16
	86MM	.070" MLS-5 7MGTE MOTOR	.070	1.78	C4275-070	CG16
	86MM	.075" MLS-5 7MGTE MOTOR	.075	1.91	C4275-075	CG16
	86MM	.080" MLS-5 7MGTE MOTOR	.080	2.03	C4275-080	CG17
	86MM	.098" MLS-5 7MGTE MOTOR	.098	2.49	C4275-098	CG17
	86MM	.120" MLS 7MGTE MOTOR	.120	3.05	C4275-120	CG19
<b>VAUXHALL</b>						
16 VALVE 2L	88MM	.027" MLS HEAD GASKET	.027	0.69	C4216-027	CG7
	88MM	.030" MLS HEAD GASKET	.030	0.76	C4216-030	CG7
	88MM	.036" MLS HEAD GASKET	.036	0.91	C4216-036	CG7
	88MM	.040" MLS HEAD GASKET	.040	1.02	C4216-040	CG7
	88MM	.045" MLS HEAD GASKET	.045	1.14	C4216-045	CG7
	88MM	.051" MLS HEAD GASKET	.051	1.30	C4216-051	CG7
	88MM	.060" MLS-5 HEAD GASKET	.060	1.52	C4216-060	CG9
	88MM	.066" MLS 5-LAYER GASKET	.066	1.68	C4216-066	CG9
	88MM	.070" MLS 5-LAYER GASKET	.070	1.78	C4216-070	CG9
	88MM	.075" MLS 5-LAYER GASKET	.075	1.91	C4216-075	CG9
	88MM	.080" MLS 5-LAYER GASKET	.080	2.03	C4216-080	CG10
	88MM	.086" MLS-5 HEAD GASKET	.085	2.16	C4216-086	CG10
	88MM	.092" MLS-5 HEAD GASKET	.092	2.34	C4216-092	CG10
	88MM	.120" MLS HEAD GASKET	.120	3.05	C4216-120	CG17
<b>VAUXHALL / OPEL</b>						
2.3L 4CYL.	99MM	.059 CFM HEAD	.059	1.50	C4129-059	CG6
16 V 1.6L	82MM	.030" MLS HEAD GASKET	.030	0.76	C4257-030	CG7
	82MM	.040" MLS HEAD GASKET	.040	1.02	C4257-040	CG7
	82MM	.045" MLS HEAD GASKET	.045	1.14	C4257-045	CG7
	82MM	.051" MLS HEAD GASKET	.051	1.30	C4257-051	CG7
	82MM	.070" MLS-5 HEAD GASKET	.070	1.78	C4257-070	CG9
	82MM	.075" MLS-5 HEAD GASKET	.075	1.91	C4257-075	CG9
	82MM	.089" MLS HEAD GASKET	.089	2.26	C4257-089	CG10

# GASKETS



Description	Fits bore size	Long description material (inch)	Thickness (inch)	Thickness (mm)	Stock code	pricecode
<b>VW/AUDI</b>						
1.8T 1997 UP 20V AEB	82MM	.051" MLS HEAD GASKET	.051	1.30	C4558-051	CG7
	85MM	.051" MLS HEAD GASKET	.051	1.30	C4559-051	CG7
1800/2000CC	83MM	.027" MLS HEAD GASKET	.027	0.69	C4247-027	CG7
	83MM	.030" MLS HEAD GASKET	.030	0.76	C4247-030	CG7
	83MM	.036" MLS HEAD GASKET	.036	0.91	C4247-036	CG7
	83MM	.040" MLS HEAD GASKET	.040	1.02	C4247-040	CG7
	83MM	.045" MLS HEAD GASKET	.045	1.14	C4247-045	CG7
	83MM	.051" MLS HEAD GASKET	.051	1.30	C4247-051	CG7
	83MM	.060" MLS-5 HEAD GASKET	.060	1.52	C4247-060	CG9
	83MM	.070" MLS-5 HEAD GASKET	.070	1.78	C4247-070	CG9
	83MM	.075" MLS-5 HEAD GASKET	.075	1.91	C4247-075	CG9
	83MM	.098" MLS-5 HEAD GASKET	.098	2.49	C4247-098	CG10
	83MM	.120" MLS HEAD GASKET	.120	3.05	C4247-120	CG17
	85MM	.027" MLS HEAD GASKET	.027	0.69	C4246-027	CG7
	85MM	.030" MLS HEAD GASKET	.030	0.76	C4246-030	CG7
	85MM	.040" MLS HEAD GASKET	.040	1.02	C4246-040	CG7
	85MM	.045" MLS HEAD GASKET	.045	1.14	C4246-045	CG7
	85MM	.051" MLS HEAD GASKET	.051	1.30	C4246-051	CG7
	85MM	.060" MLS-5 HEAD GASKET	.060	1.52	C4246-060	CG9
	85MM	.066" MLS-5 HEAD GASKET	.066	1.68	C4246-066	CG9
	85MM	.080" MLS-5 HEAD GASKET	.080	2.03	C4246-080	CG10
	85MM	.120" MLS HEAD GASKET	.120	3.05	C4246-120	CG17
85MM	.140" MLS-5 HEAD GASKET	.140	3.56	C4246-140	CG17	
2.0L 16V 2005 + BWA/BPY	83.5MM	.040" MLS HEAD GASKET	.040	1.02	C4541-040	CG7
	83.5MM	.051" MLS HEAD GASKET	.051	1.30	C4541-051	CG7
	83.5MM	.050" MLS-5 H/G	.050	1.27	C4541-050	CG9
	83.5MM	.065" 5 LAYER MLS H/G	.065	1.65	C4541-065	CG9
	83.5MM	.086" MLS HEAD GASKET	.086	2.18	C4541-086	CG10

# PINLIST



T=conical shape  
 C=chromium plated for plain bearing only  
 S= cylindrical shape  
 R= radius  
 ØD = Ø outside  
 Ød = Ø inside

Ø	Part No.	Dimension ØDxØdxl	Typ	Weight in gramm	Price code
Ø10	WP105	10x7x33	S	10gr	13
Ø12	WP091	12x8x37.5	S	18gr	13
	WP101	12x8x33	S	16gr	13
Ø13	WP088	13x8x40	CT	24gr	13
Ø14	WP058	14x10x38.5	T	21gr	13
	WP025	14x9.0x45	S	31gr	13
	WP063	14x8x38.5	CT	28gr	13
Ø15	WP032	15x10x45	T	33gr	13
	WP011	15x9.0x45	S	39gr	13
	WP067	15x10x41	T	29gr	13
	WP102	15x10x54	CS	41gr	13
Ø16	WP087	16x10x36	CT	33gr	13
	WP036	16x10x45	T	41gr	13
	WP041	16x10.5x51	T	42gr	13
	WP059	16x9.0x45	CT	44gr	13
	WP027	16x11x56.2	T	44gr	13
	WP066	16x9x42	CS	45gr	13
	WP070	16x9x38	CS	41gr	13
Ø17	WP083	17x10x46	CT	49gr	13
	WP090	17x10x51	CT	55gr	13
	WP089	17x10x58	CT	63gr	13
	WP045	17x11x61	CS	63gr	13
Ø18	WP054	18x11x45	CT	54gr	13
	WP049	18x12x45	CT	45gr	13
	WP072	18x8x46	CT	70gr	13
	WP099	18x10x51	CT	68gr	13
	WP053	18x9.0x51	CT	71gr	13
	WP031	18x11x51	CT	60gr	13
	WP039	18x12x56	T	59gr	13
	WP042	18x11x62.8	T	71gr	13
	WP040	18x13x53.2	T	47gr	13
	WP033	18x13x56.2	T	49gr	13
	WP064	18x10x56	CS	76gr	13
	WP079	18x12x62.8	S	74gr	13
Ø18.5	WP084	18.5x11x55.5	CT	71gr	13

Ø	Part No.	Dimension ØDxØdxl	Typ	Weight in gramm	Price code
Ø19	WP037	19x10x51	T	75gr	13
	WP071	19x9.2x46	T	74gr	13
	WP028	19x12x46	CT	56gr	13
	WP018	19x12x48	CT	58gr	13
	WP050	19x12x51	CT	61gr	13
	WP026	19x12x55.5	CT	68gr	13
	WP044	19x13x56.4	T	62gr	13
	WP019	19x13x61	S	73gr	13
	Ø19.46	WP096	19.46x12x51	CT	66gr
WP035		19.46x12x61	CT	80gr	13
Ø20	WP052	20x12.5x55	CT	79gr	14
	WP029	20x13x46	CT	58gr	14
	WP038	20x13x51	T	66gr	14
	WP061	20x11x61	CS	105gr	14
	WP086	20x13x61	T	79gr	14
	WP065	20x11x55	CS	93gr	14
	WP068	20x12x51	CR	75gr	14
	WP073	20x10x46	CT	81gr	14
	WP075	20x12.5x49	CT	72gr	14
	WP076	20x14x56	T	63gr	14
Ø21	WP013	21x13.5x46	CT	73gr	14
	WP051	21x13.5x51	CT	75gr	14
	WP034	21x13x55.5	CT	86gr	14
	WP092	21x12x61	CS	111gr	14
Ø22	WP081	21x14x61	T	82gr	14
	WP097	22x12x46	CS	96gr	14
	WP055	22x14x46	CT	69gr	14
	WP009	22x14x51	CT	76gr	14
	WP098	22x13x51	CS	99gr	14
	WP017	22x14x55	CT	87gr	14
	WP046	22x14x63	CT	98gr	14
	WP080	22x15x61	T	87gr	14
	WP077	22x16x63	T	83gr	14
	WP069	22x14x63	C	104gr	14

## PINLIST



T=conical shape  
 C=chromium plated for plain bearing only  
 S= cylindrical shape  
 R= radius  
 $\varnothing D$  =  $\varnothing$  outside  
 $\varnothing d$  =  $\varnothing$  inside

$\varnothing$	Part No.	Dimension $\varnothing D \times \varnothing d \times l$	Typ	Weight in gramm	Price code
$\varnothing 23$	WP008	23x13x50.5	CT	98gr	14
	WP047	23x13x50.5	CS	112gr	14
	WP024	23x15x55.5	CT	95gr	14
	WP094	23x13x61	CT	126gr	14
	WP082	23x13x55.5	CS	123gr	14
$\varnothing 24$	WP023	24x16x51	CT	92gr	14
	WP057	24x17x56	CT	90gr	14
	WP022	24x16x63.5	CT	121gr	14
	WP078	24x17x68	T	113gr	14
$\varnothing 26$	WP104	26x16x63	C	161gr	13
$\varnothing 17.463$	WP062	11/16"x11x51	CT	51gr	13
$\varnothing 19.05$	WP048	3/4"x12x56	CT	68gr	13

$\varnothing$	Part No.	Dimension $\varnothing D \times \varnothing d \times l$	Typ	Weight in gramm	Price code
$\varnothing 20.12$	WP020	0.792"x12x51	CT	73gr	14
	WP021	0.792"x12x56	CT	82gr	14
	WP093	0.792"x13x72	CS	104gr	14
$\varnothing 20.63$	WP195	13/16"x13x55.5	CT	79gr	14
	WP095	20.625x13x55.5	CT	79gr	14
	WP174	13/16"x12.5x49	CT	76gr	14
	WP074	20.625x12.5x49	CT	76gr	14
$\varnothing 22.22$	WP085	7/8"x14x63	CT	105gr	14
$\varnothing 23.55$	WP056	0.927"x15.9x56	CT	96gr	14
	WP060	0.927"x15.9x51	CT	86gr	14
	WP100	0.927"x15.7x2.25"	CS	108gr	14
	WP103	0.927"x14x2.75"	CS	154gr	14
$\varnothing 23.813$	WP043	15/16"x15x63	CT	124gr	14

## RINGLIST



Alle Wössner Ringe können in Guss, sowie Nikasil® Zylindern eingesetzt werden.

All Woessner rings can be used in cast iron, Nikasil®, boron composite® and Electrofusion bores.

Caution: Wössner 4-stroke rings can not be used in chrome plated bores.

Ring Part No.	Fits Bore dia. (mm)	Top Ring (mm)	Second Ring (mm)	Oil Ring (mm)	Price code
530XKS	53	1	0.8	2	18
535XKS	53.5	1	0.8	2	18
540XKS	54	1	0.8	2	18
545XKS	54.5	1	0.8	2	18
550XKS	55	1	0.8	2	18
560XKS	56	1	0.8	2	18
565XKS	56.5	1	0.8	2	18
570XKS	57	1	0.8	2	18
575XKS	57.5	1	0.8	2	18
580XKS	58	1	0.8	2	18
585XKS	58.5	1	0.8	2	18
590XKS	59	1	0.8	2	18
595XKS	59.5	1	0.8	2	18
600XGS	60	1	1	2	18
600XKS	60	1	0.8	2	18
605XKS	60.5	1	0.8	2	18
605XDS	60.5	1	1.2	2	18
610XKS	61	1	0.8	2	18
615XKS	61.5	1	0.8	2	18
620XKS	62	1	0.8	2	18
625XKS	62.5	1	0.8	2	18
630XKS	63	1	0.8	2	18
635XKS	63.5	1	0.8	2	18
640XKS	64	1	0.8	2	18
645XKS	64.5	1	0.8	2	18
650XKS	65	1	0.8	2	18
650XDS	65	1	1.2	2	18
655XGS	65.5	1	1	2	18
660XKS	66	1	0.8	2	18
665XKS	66.5	1	0.8	2	18
670XKS	67	1	0.8	2	18
675XKS	67.5	1	0.8	2	18
680XKS	68	1	0.8	2	18
685XKS	68.5	1	0.8	2	18
690XKS	69	1	0.8	2	18
695XKS	69.5	1	0.8	2	18
700XDS	70	1	1.2	2	18
705XDS	70.5	1	1.2	2	18
710XDS	71	1	1.2	2	18

Ring Part No.	Fits Bore dia. (mm)	Top Ring (mm)	Second Ring (mm)	Oil Ring (mm)	Price code
715XDS	71.5	1	1.2	2	18
720XDS	72	1	1.2	2	18
725XDS	72.5	1	1.2	2	18
730XDS	73	1	1.2	2	18
730XAS	73	0.8	0.8	1.5	18
735XDS	73.5	1	1.2	2	18
740XDS	74	1	1.2	2	18
740XTZ	74	1.5	1.2	2	18
745XDS	74.5	1	1.2	2	18
745XTZ	74.5	1.5	1.2	2	18
750XDS	75	1	1.2	2	18
750XTZ	75	1.5	1.2	2	18
755XDS	75.5	1	1.2	2	18
755XTZ	75.5	1.5	1.2	2	18
760XDS	76	1	1.2	2	18
760XTZ	76	1.5	1.2	2	18
760XMS	76	0.8	0.8	2	18
760XAS	76	0.8	0.8	1.5	18
760XWY	76	1	0.8	1.5	18
765XDS	76.5	1	1.2	2	18
765XTZ	76.5	1.5	1.2	2	18
766XTZ	76.6	1.5	1.2	2	18
768XAS-2	76.8	0.8	-	1.5	18
770XKS	77	1	0.8	2	18
770XTT	77	1	1.2	3	18
770XDS	77	1	1.2	2	18
770XTZ	77	1.5	1.2	2	18
770XTD	77	1.5	1.2	3	18
770XAS-2	77	0.8	0.8	1.5	18
772XDS	77.25	1	1.2	2	18
775XDS	77.5	1	1.2	2	18
775XTZ	77.5	1.5	1.2	2	18
780XMS	78	0.8	0.8	2	18
780XDS	78	1	1.2	2	18
780XTT	78	1	1.2	3	18
780XTZ	78	1.5	1.2	2	18
780XAS	78	0.8	0.8	1.5	18
780XWY	78	1	0.8	1.5	18
785XDS	78.5	1	1.2	2	18

## RINGLIST



Alle Wössner Ringe können in Guss, sowie Nikasil® Zylindern eingesetzt werden.

All Woessner rings can be used in cast iron, Nikasil®, boron composite® and Electrofusion bores.

Caution: Wössner 4-stroke rings can not be used in chrome plated bores.

Ring Part No.	Fits Bore dia. (mm)	Top Ring (mm)	Second Ring (mm)	Oil Ring (mm)	Price code
785XTZ	78.5	1.5	1.2	2	18
787XDS	78.7	1	1.2	2	18
787XTZ	78.7	1.5	1.2	2	18
790XMS	79	0.8	0.8	2	18
790XDS	79	1	1.2	2	18
790XTZ	79	1.5	1.2	2	18
790XWY	79	1	0.8	?	18
795XDS	79.5	1	1.2	2	18
795XTZ	79.5	1.5	1.2	2	18
797XDS	79.75	1	1.2	2	18
800XTT	80	1	1.2	3	19
800XDS	80	1	1.2	2	19
800XTZ	80	1.5	1.2	2	19
802XDS	80.25	1	1.2	2	19
805XDS	80.5	1	1.2	2	19
805XTZ	80.5	1.5	1.2	2	19
810XDS	81	1	1.2	2	19
810XSY	81	1	1.2	2.5	19
810XTY	81	1.5	1.2	2.5	19
815XSY	81.5	1	1.2	2.5	19
815XTY	81.5	1.5	1.2	2.5	19
820XSY	82	1	1.2	2.5	19
820XDS	82	1	1.2	2	19
820XTY	82	1.5	1.2	2.5	19
825XSY	82.5	1	1.2	2.5	19
825XTY	82.5	1.5	1.2	2.5	19
827XDS	82.7	1	1.2	2	19
827XSY	82.7	1	1.2	2.5	19
827XTY	82.7	1.5	1.2	2.5	19
830XSY	83	1	1.2	2.5	19
830XTY	83	1.5	1.2	2.5	19
830XDS	83	1	1.2	2	19
835XSY	83.5	1	1.2	2.5	19
835XTY	83.5	1.5	1.2	2.5	19
840XSY	84	1	1.2	2.5	19
840XTY	84	1.5	1.2	2.5	19
840XDS	84	1	1.2	2	19
842XSY	84.2	1	1.2	2.5	19
842XTY	84.2	1.5	1.2	2.5	19

Ring Part No.	Fits Bore dia. (mm)	Top Ring (mm)	Second Ring (mm)	Oil Ring (mm)	Price code
844XSY	84.4	1	1.2	2.5	19
844XTY	84.4	1.5	1.2	2.5	19
845XSY	84.5	1	1.2	2.5	19
845XTY	84.5	1.5	1.2	2.5	19
846XSY	84.6	1	1.2	2.5	19
846XTY	84.6	1.5	1.2	2.5	19
847XSY	84.75	1	1.2	2.5	19
848XSY	84.8	1	1.2	2.5	19
848XTY	84.8	1.5	1.2	2.5	19
850XSY	85	1	1.2	2.5	19
850XTY	85	1.5	1.2	2.5	19
855XSY	85.5	1	1.2	2.5	19
855XTY	85.5	1.5	1.2	2.5	19
860XDS	86	1	1.2	2	19
860XSY	86	1	1.2	2.5	19
860XTY	86	1.5	1.2	2.5	19
862XSY	86.25	1	1.2	2.5	19
862XTY	86.25	1.5	1.2	2.5	19
865XSY	86.5	1	1.2	2.5	19
865XTY	86.5	1.5	1.2	2.5	19
867XSY	86.75	1	1.2	2.5	19
867XTY	86.75	1.5	1.2	2.5	19
870XSY	87	1	1.2	2.5	19
870XTY	87	1.5	1.2	2.5	19
875XSY	87.5	1	1.2	2.5	19
875XTY	87.5	1.5	1.2	2.5	19
880XSY	88	1	1.2	2.5	19
880XTY	88	1.5	1.2	2.5	19
880XDS	88	1	1.2	2	19
885XSY	88.5	1	1.2	2.5	19
885XTY	88.5	1.5	1.2	2.5	19
890XSY	89	1	1.2	2.5	19
890XTY	89	1.5	1.2	2.5	19
892XSY	89.25	1	1.2	2.5	19
895XSY	89.5	1	1.2	2.5	19
897XSY	89.75	1	1.2	2.5	19
895XTY	89.5	1.5	1.2	2.5	19
900XDS	90	1	1.2	2	19
900XSY	90	1	1.2	2.5	19

## RINGLIST



Alle Wössner Ringe können in Guss, sowie Nikasil® Zylindern eingesetzt werden.

All Woessner rings can be used in cast iron, Nikasil®, boron composite® and Electrofusion bores.

Caution: Wössner 4-stroke rings can not be used in chrome plated bores.

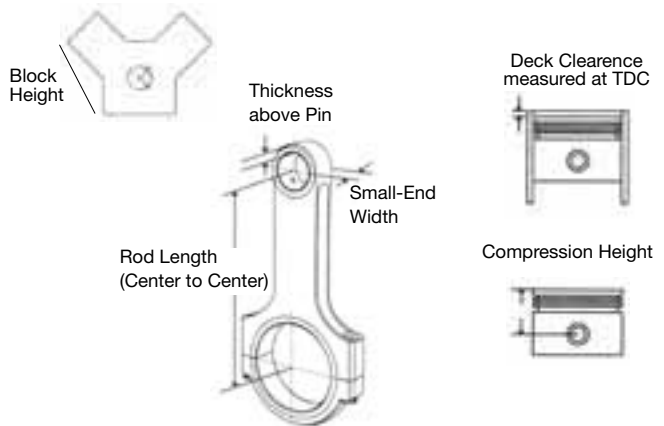
Ring Part No.	Fits Bore dia. (mm)	Top Ring (mm)	Second Ring (mm)	Oil Ring (mm)	Price code
900XTY	90	1.5	1.2	2.5	19
905XSY	90.5	1	1.2	2.5	19
905XTY	90.5	1.5	1.2	2.5	19
910XSY	91	1	1.2	2.5	19
910XTY	91	1.5	1.2	2.5	19
912XSY	91.25	1	1.2	2.5	19
912XTY	91.25	1.5	1.2	2.5	19
915XSY	91.5	1	1.2	2.5	19
915XTY	91.5	1.5	1.2	2.5	19
917XSY	91.75	1	1.2	2.5	19
917XTY	91.75	1.5	1.2	2.5	19
920XDS	92	1	1.2	2	19
920XSY	92	1	1.2	2.5	19
920XTY	92	1.5	1.2	2.5	19
925XSY	92.5	1	1.2	2.5	19
925XTY	92.5	1.5	1.2	2.5	19
930XSY	93	1	1.2	2.5	19
930XTY	93	1.5	1.2	2.5	19
935XSY	93.5	1	1.2	2.5	19
935XTY	93.5	1.5	1.2	2.5	19
936XSY	93.6	1	1.2	2.5	19
938XSY	93.8	1	1.2	2.5	19
938XTY	93.8	1.5	1.2	2.5	19
940XSY	94	1	1.2	2.5	19
940XTY	94	1.5	1.2	2.5	19
942XSY	94.2	1	1.2	2.5	19
942XTY	94.2	1.5	1.2	2.5	19
945XSY	94.5	1	1.2	2.5	19
945XTY	94.5	1.5	1.2	2.5	19
950XDS	95	1	1.2	2	19
950XSY	95	1	1.2	2.5	19
950ADS-2	95	1	-	2	19
950XTY	95	1.5	1.2	2.5	19
955XSY	95.5	1	1.2	2.5	19
955XTY	95.5	1.5	1.2	2.5	19
960XSY	96	1	1.2	2.5	19
960ADS-2	96	1	-	2	19
960XTY	96	1.5	1.2	2.5	19
965XTY	96.5	1.5	1.2	2.5	19

Ring Part No.	Fits Bore dia. (mm)	Top Ring (mm)	Second Ring (mm)	Oil Ring (mm)	Price code
965XSY	96.5	1	1.2	2.5	19
970XTY	97	1.5	1.2	2.5	19
970XSY	97	1	1.2	2.5	19
970ADS-2	97	1	-	2	19
970XDS	97	1	1.2	2	19
975XSY	97.5	1	1.2	2.5	19
975XTY	97.5	1.5	1.2	2.5	19
980XSY	98	1	1.2	2.5	19
980ADS-2	98	1	-	2	19
980XDS	98	1	1.2	2	19
980XTY	98	1.5	1.2	2.5	19
985XSY	98.5	1	1.2	2.5	19
985XTY	98.5	1.5	1.2	2.5	19
987XSY	98.75	1	1.2	2.5	19
990XSY	99	1	1.2	2.5	19
990XTY	99	1.5	1.2	2.5	19
992XSY	99.2	1	1.2	2.5	19
995XSY	99.5	1	1.2	2.5	19
995XTY	99.5	1.5	1.2	2.5	19
1000ADS-2	100	1	-	2	20
1000XSY	100	1	1.2	2.5	20
1000XTY	100	1.5	1.2	2.5	20
1005XSY	100.5	1	1.2	2.5	20
1005XTY	100.5	1.5	1.2	2.5	20
1010XSY	101	1	1.2	2.5	20
1010XTY	101	1.5	1.2	2.5	20
1015XSY	101.5	1	1.2	2.5	20
1016XSU	101.6	1.2	1.5	2.5	20
1020XSK	102	1.2	1.5	2.5	20
1020XSU	102	1.2	1.5	2.5	20
1025XSU	102.5	1.2	1.5	2.5	20
1030XSU	103	1.2	1.5	2.5	20
1035XSU	103.5	1.2	1.5	2.5	20
1040XSU	104	1.2	1.5	2.5	20
1045XSU	104.5	1.2	1.5	2.5	20
1050XSU	105	1.2	1.5	2.5	20
1055XSU	105.5	1.2	1.5	2.5	20
1060XSU	106	1.2	1.5	2.5	20
1065XSU	106.5	1.2	1.5	2.5	20

## Custom Piston Order Form

Fax to +49 (0) 7621 95 66 49-25

Engine Type \_\_\_\_\_  
 Model \_\_\_\_\_ Year \_\_\_\_\_  
 Number of Cylinders \_\_\_\_\_ Order Quantity of Pistons \_\_\_\_\_  
 Displacement \_\_\_\_\_ Max RPM \_\_\_\_\_ Approx. HP \_\_\_\_\_  
 Bore Size \_\_\_\_\_ Stroke \_\_\_\_\_  
 Rod Length \_\_\_\_\_  
 Rod Small-End Width \_\_\_\_\_  
 Thickness above Pin \_\_\_\_\_  
 Head Gasket Thickness \_\_\_\_\_  
 Compression Ratio \_\_\_\_\_



### CYLINDER HEAD

Combustion Chamber Size \_\_\_\_\_ cc's  
 Valve Diameter In \_\_\_\_\_ Ex \_\_\_\_\_  
 Free Drop (if known) \_\_\_\_\_  
 Was cylinder head milled?  Yes  No  
 If cylinder head was milled, how much?  
 Flat \_\_\_\_\_  Angled \_\_\_\_\_

Piston Type (Circle one if known)

Dome  Flat Top  Dish  Inverted Dome  
 Conical  Spherical  Round  3D

Pistons designed for  Circle Track  Asphalt  Dirt

Drag Race  Road Race  Marine  Street/Ship

other (please specify) \_\_\_\_\_

Is your Motor  Carbureted  Injected

Turbo Charged: Lbs. Boost \_\_\_\_\_  Blown: Lbs. Boost \_\_\_\_\_

Nitrous – how much HP  100  250  350  400+

other (please specify) \_\_\_\_\_

Fuel Type  Pump Gas  Race Gas  Alcohol  Nitro

### PIN SPECS

Pin Diameter \_\_\_\_\_ Length \_\_\_\_\_

Wall Thickness \_\_\_\_\_ Qty \_\_\_\_\_

Pins with Order  Yes  No

Pin Fit  Yes  No

**Wössner GmbH reserves the right to choose the appropriate pin length if supplying pins per each piston design.**

### COMPANY INFORMATION

Company \_\_\_\_\_

Contact Person \_\_\_\_\_

Street \_\_\_\_\_

Country \_\_\_\_\_

Phone \_\_\_\_\_

Fax \_\_\_\_\_

E-Mail \_\_\_\_\_

**RETURN POLICY:** Custom pistons are returnable only for defects in workmanship or materials in the as received condition. Under no circumstances will parts be returnable after 90 days. Please check packaging for complete details regarding return policy. All returns require a „Return Materials Authorization“ (RMA) number, available from the Wössner GmbH sales department.







## INSTRUCTIONS

### SPECIFICATIONS AND INSTALLATION INSTRUCTIONS

#### **Piston to Cylinder Wall Clearance:**

Wössner pistons are designed with a special cam and cylinder design. When measuring for piston to wall clearance, measure at widest point of piston skirt from the bottom of the oil ring groove, 90 degrees from wrist pin hole.

#### **Coated Pistons:**

Piston to wall clearance is calculated before the coating is applied to the piston skirts.

#### **Dome Clearance:**

Dome to cylinder head clearance need to be checked prior to assembly.

#### **Valve to Piston Clearance:**

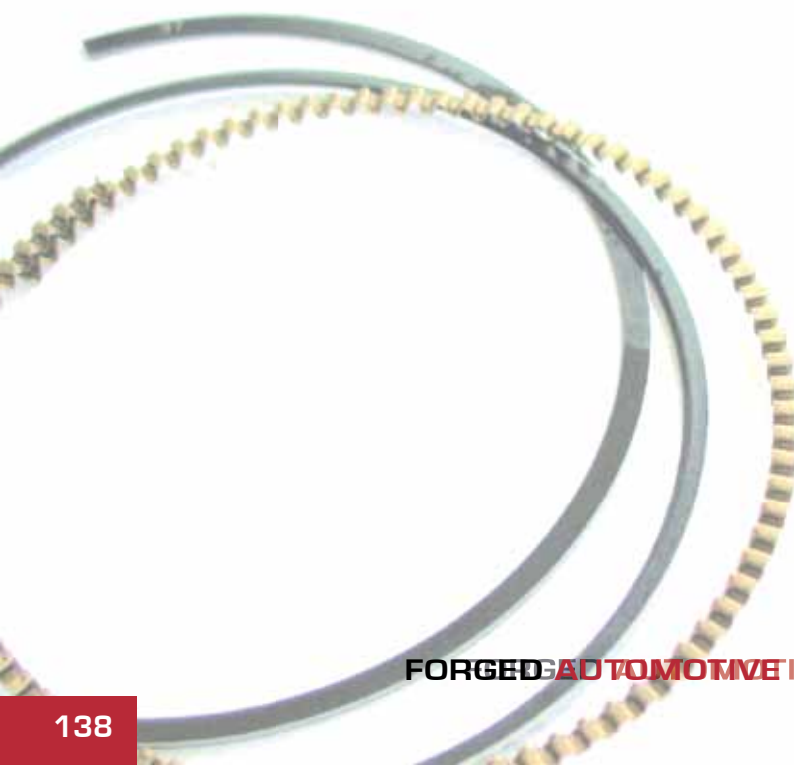
Most Wössner pistons are designed with valve pockets that are deeper and larger than OEM. These pockets provide adequate valve clearance under most conditions. It is very important that valve to piston clearance is checked upon piston Installation. This is necessary due to many variations in cams, how much a block has been decked, or if the heads have been cut or angle milled.



### INSTALLATION INSTRUCTIONS 4-STROKE RINGS

The rings are installed with suitable piston ring pliers, starting with the lowest ring. Excessive opening of the rings is to be avoided, since this could lead to deformation of the rings. If the rings are deformed, they are not longer able to provide a perfect seal. Rings that have the mark are to be fitted with the marking facing upwards towards the piston crown. Special care is needed for the installation of steel rail rings (3S-rings).

After the spring has been loaded, the rails are to be mounted so that rail end gaps point towards the pin hole. When the upper rail is being installed, the ends of the spring needs to be held together so as to prevent over-lapping. After this, the lower rail is to be installed. In the case of pistons with rotation prevention in the ring grooves, care need to be taken to ensure that the ring gaps are positioned alongside the location pins. After the rings have been installed, the ring gaps are to be spread evenly around the circumference (for example at 120° intervals for a 3-ring piston).



# GENERAL TERMS AND CONDITIONS

of contracts with Wössner GmbH - Im Wörth 21 - 79576 Weil m Rhein/Märkt

## 1. General

All offers, deliveries, repairs and other services are exclusively rendered on the basis of the following conditions. The applicability of contractual partners' conflicting terms and conditions is herewith denied. Deviations from these terms and conditions have effect only if they are confirmed by us in writing. All other alterations, requested or implied, remain invalid. These Terms and Conditions supersede all previous Terms and Conditions

## 2. Contract-execution and Content

2.1 All offers are subject to confirmation within three weeks and are non-binding.  
2.2 Subsidiary agreements, restrictions, alterations or additions to contracts must be made and accepted in writing.

## 3. Prices and Terms of Payment

3.1 All prices exclude postage and packing.  
Offers are made based upon current costs. Should, between acceptance of an order and delivery date, an unexpected rise in costs occur, we reserve the right to raise our wholesale prices accordingly. The same applies to retail prices only when the delivery date is more than four months after the order was confirmed. An increase in price on a retail contract is restricted to three percent of the original sum.  
3.2 Only written estimates will be considered to be binding. Should we not receive a contract following an estimate we reserve the right to request an appropriate fee for this service.  
3.3 Payment, in Euro, is due in full within one week of the billing date.  
3.4 For delivery contracts we reserve the right to request payment in advance or cash on delivery.  
3.5 Payment by cheques and bills of exchange is only considered to have taken place when the clearing process is completed. Responsibility for the form and acceptance of bills of exchange remains with the drawee. Withdrawal, account and exchange fees are the responsibility of the purchaser and are immediately due.  
3.6 The purchaser is only entitled to an account credit in the event of an unchallenged and legally upheld counter claim. Right of retention claims must be based upon such claims.  
3.7 We reserve the right to off-set payments against outstanding debts in accordance with §§ 367 Abs. 1, 366 Abs. 2 BGB  
3.8 In the event of delay or default in payment we reserve the right to charge interest at a rate of two percent above the base rate as defined by the Deutsche Bundesbank.

## 4. Delivery Dates and Appointments

4.1 Delivery dates and working schedules are only binding when agreed in writing.  
4.2 In the event that we are unable to meet a delivery date, the customer is entitled to set a new delivery date, at least three weeks after the expiry of the original deadline. Only if this second deadline is reached without the delivery taking place is the customer entitled to withdraw from the agreement. The setting of deadlines and the withdrawal from agreements must take place in writing.  
4.3 Force Majeure – events beyond our control, such as, but not restricted to, acts of God, industrial action and state intervention, that hinder us or our suppliers in the completion of our work may lead to an extension of the previously agreed delivery times. Should such events render completion of a contract impossible or the altered conditions unacceptable then either party is entitled, in writing, to withdraw from the agreement. There arises no entitlement to compensation

## 5. Transfer of Responsibility

5.1 We are not liable for loss or damage in transport. Responsibility passes to the customer as the goods are collected or leave our premises. If dispatch is delayed due to events beyond our control then responsibility passes to the customer with the notification of transport readiness. An insurance to cover possible damage or loss during transportation can be arranged on request. The cost of the insurance is the responsibility of the customer.  
5.2 Responsibility for goods in transit to us remains with the customer.

## 6. Reservation of Title – Transfer of Ownership

6.1 The finished goods remain completely the property of Wössner GmbH until such time as all outstanding balances due to us have been paid. In the case of wholesale partners this clause also applies to future balances.  
6.2 If our sole ownership of the goods becomes void through amalgamation or modification, then we receive a proportional ownership of the new retained goods based upon the value of its constituent parts.  
6.3 The customer is entitled to process and sell the retained goods in the due course of his business. Any and all resulting income is payable to Wössner GmbH. Following a specific request from our customer we are willing to release them from this demand in so far as their income is more than twenty percent over our price.

## 7. Guarantee

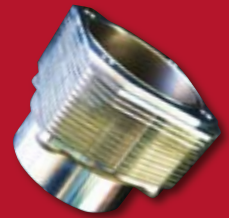
7.1 Receipt of obviously faulty or incomplete goods must be immediately registered at Wössner GmbH. Notification must reach us within fourteen days of receipt of the goods. The extent of any further testing and the necessity of any further notification, in the case of trade customers, are legally governed. Any complaints concerning the goods must be forwarded in writing together with a copy of the relevant invoice.  
7.2 We reserve the right to dispatch part orders in appropriate circumstances. These will be clearly marked as such and require no notification of missing components. Deviations from agreed or advertised properties of a product that either improve or do not influence its normal or planned usage are not considered to be defects. We reserve the right to make such alterations.  
7.3 Our motor parts, tuning instruments and other accessories are generally delivered without TÜV testing and are only for use in specialised racing vehicles. Licensing for use on normal road vehicles is not part of any agreement.  
7.4 Our guarantee is limited to repair or replacement of the delivered goods. In the event of a further problem after repair or replacement the customer may choose between an appropriate reduction in price or return of the goods and a refund. We reserve the right to two attempts to improve the original merchandise before further action is taken.  
7.5 Faults directly or indirectly attributable to inappropriate handling, attempted repair, inflicted damage or other alterations to the goods carried out by the customer or a third party are not covered by our guarantee. The guarantee becomes void should the customer not follow exactly the instructions contained within the included Installation Manual.  
7.6 For special constructions based upon designs provided by the customer, our guarantee is restricted to the quality of the construction work carried out. All risks relating to technical specification, function and endurance are carried by the customer.  
7.7 Should we discover in the course of a complaints procedure that our guarantee is void, we reserve the right to charge the customer an appropriate fee for time and material costs.  
7.8 The guarantee period is six months.

## 8. Liability

8.1 Except for instances of gross negligence or intentional malpractice, compensation claims arising from positive violation of claims, breach of duty prior to contract (culpa in contrahendo) and from tort are excluded in all instances except those arising from claims based faulty goods.  
8.2 In cases of faulty merchandise liability is excluded for direct and consequential damage which occurs after the defect should reasonably have been identified.  
8.3 Furthermore the amount of compensation for cases involving wholesale transactions is, based upon the foreseeable average damage for this nature of contract, limited to ten times the price of the article or, in the case of modifications, ten times the works costs. Instances involving exceptional risk factors must be registered pre-contract. Liability beyond the limits outlined within this contract will only be accepted if agreed in writing in advance.  
8.4 Liability claims based upon a failure to follow the Installation instructions (Paragraph 7.5) or based upon damage caused as a result of an explicit customer request (Paragraph 7.6) are excluded.

## 9. Final Provisions

9.1 The place of fulfilment of this contract is 79576 Weil am Rhein, Germany. Insofar as the customer is a registered businessman within the bounds of the German Commercial Code, a legal entity under public law or a Special Fund under public law, the exclusive place of jurisdiction for all disputes arising directly or indirectly from the contractual relationship is 79576 Weil am Rhein. The current or usual place of residence of the plaintiff is immaterial.  
9.2 German law is applicable to these General Terms and Conditions and to the entire legal relations between us and the customer. Uniform Sales Law and the United Nations Convention on Contracts for the International Sale of Goods have no jurisdiction. The German version of these terms and Conditions (Allgemeine Geschäftsbedingungen) are binding in content.  
9.3 In the event that a condition in these General Terms and Conditions or a Provision under the structure of other agreements is, or will become invalid, this does not affect the validity of all other conditions or agreements.



**Wössner GmbH**  
Im Wörth 21  
D-79576 Weil am Rhein/Märkt  
Tel. +49 (0) 7621 95 66 49-0  
Fax +49 (0) 7621 95 66 49-25  
info@woessner-kolben.de  
www.woessner-kolben.de